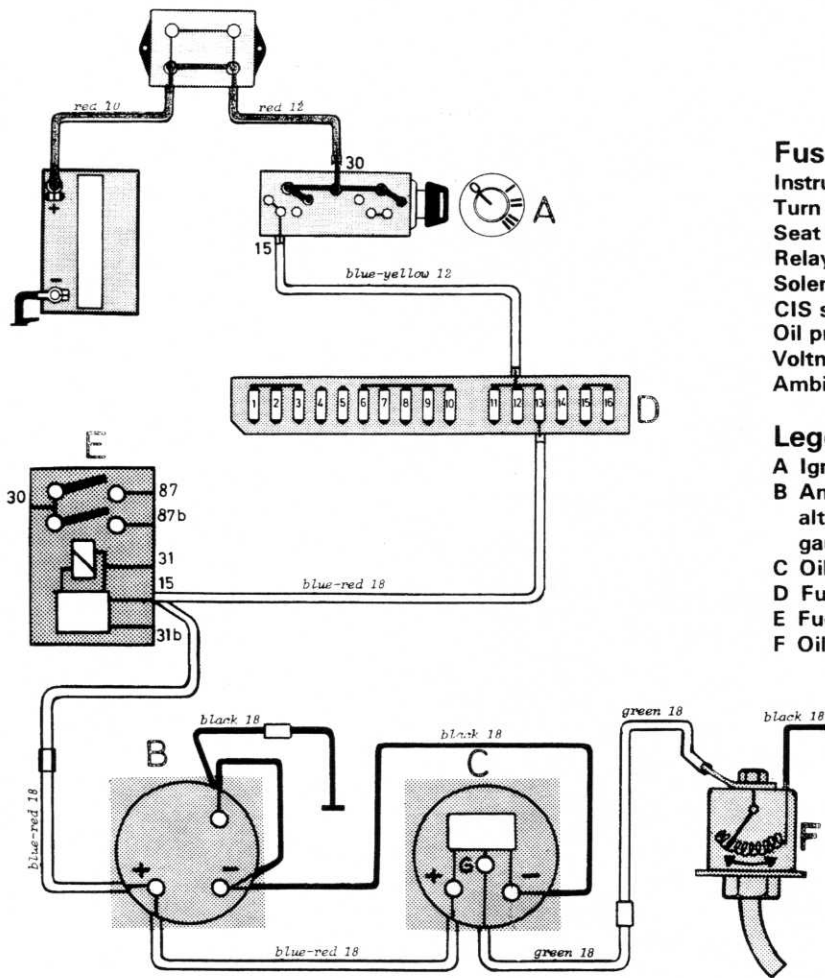


**Legend,
instrument assembly:**

- 31, 32, 33 Instrument connectors
- 35 Oil pressure indicator light
- 36 Choke reminder light
- 37 Parking brake reminder light
- 40 Charging control light
- 41 Bulb failure warning light
- 42 Upper beam indicator light
- 43 Turn signal indicator light
- 44 Overdrive indicator light
- 51 Instrument light
- 183 Lambda-sond service reminder light. Alt. Diesel glow plug indicator light.

Oil pressure gauge

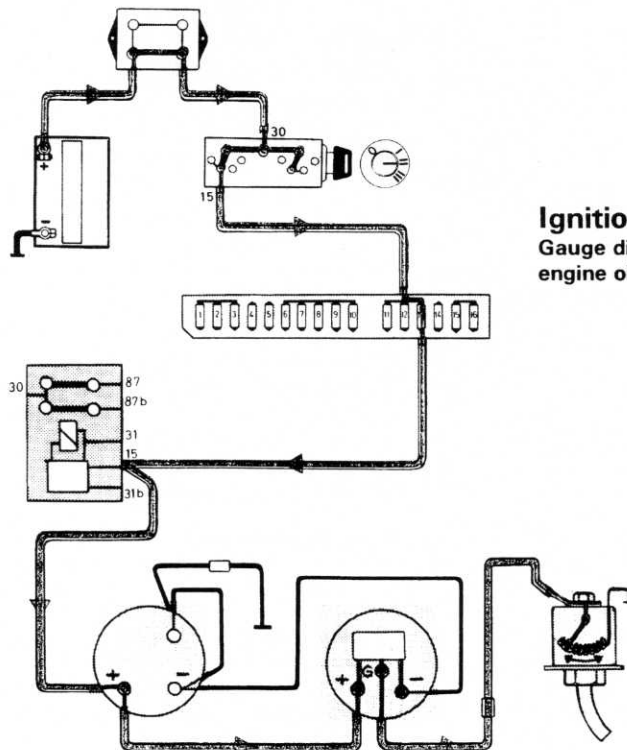


Fuse No. 13:

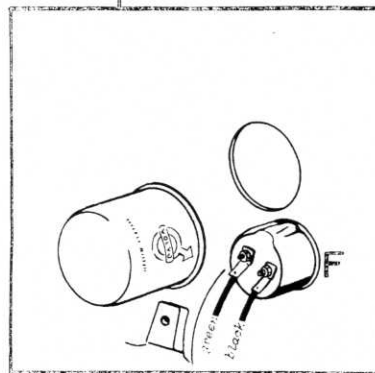
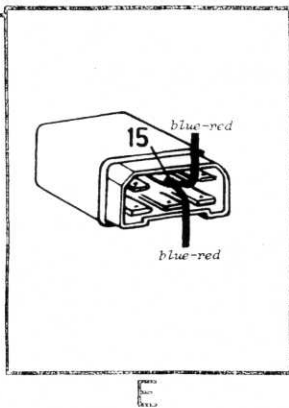
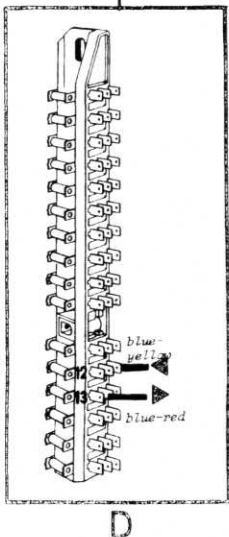
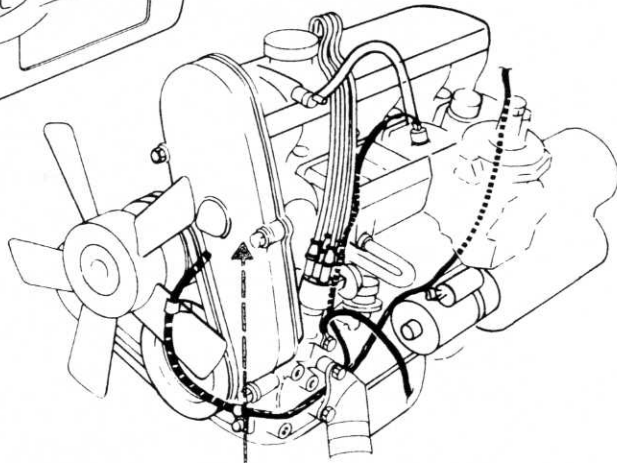
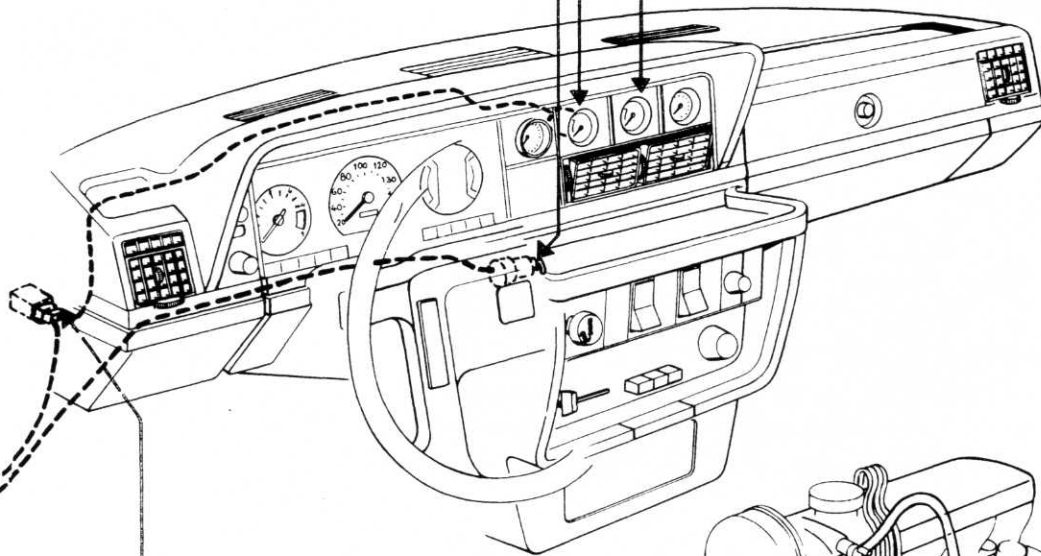
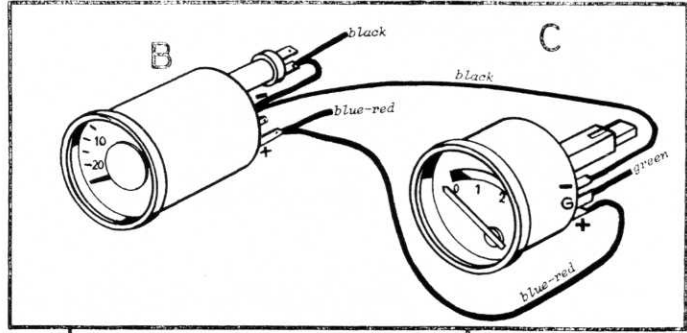
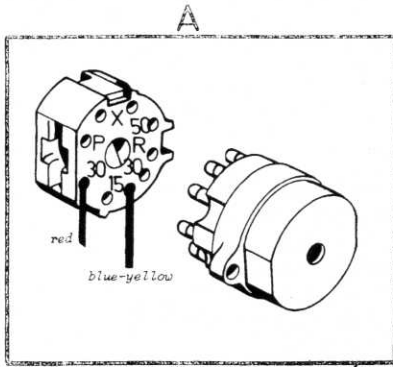
- Instrument cluster
- Turn signals
- Seat belt warning
- Relay, fuel injection
- Solenoid valve (carburetor)
- CIS system
- Oil pressure gauge
- Voltmeter
- Ambient temperature gauge

Legend:

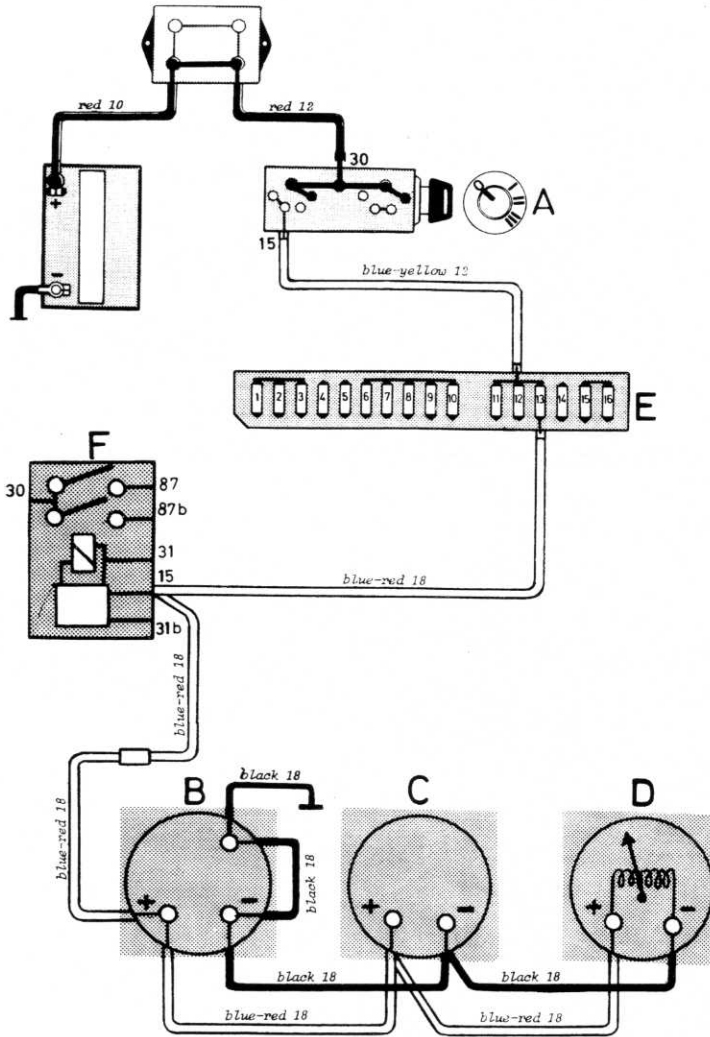
- A Ignition switch
- B Ambient temperature gauge, alt. Turbo discharge pressure gauge
- C Oil pressure gauge
- D Fuse box
- E Fuel pump relay
- F Oil pressure gauge



Ignition ON:
Gauge displays engine oil pressure.

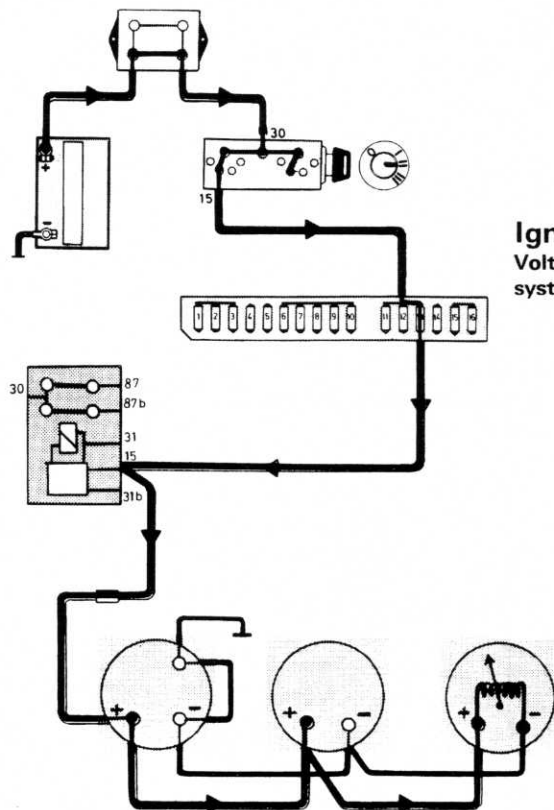


Voltmeter

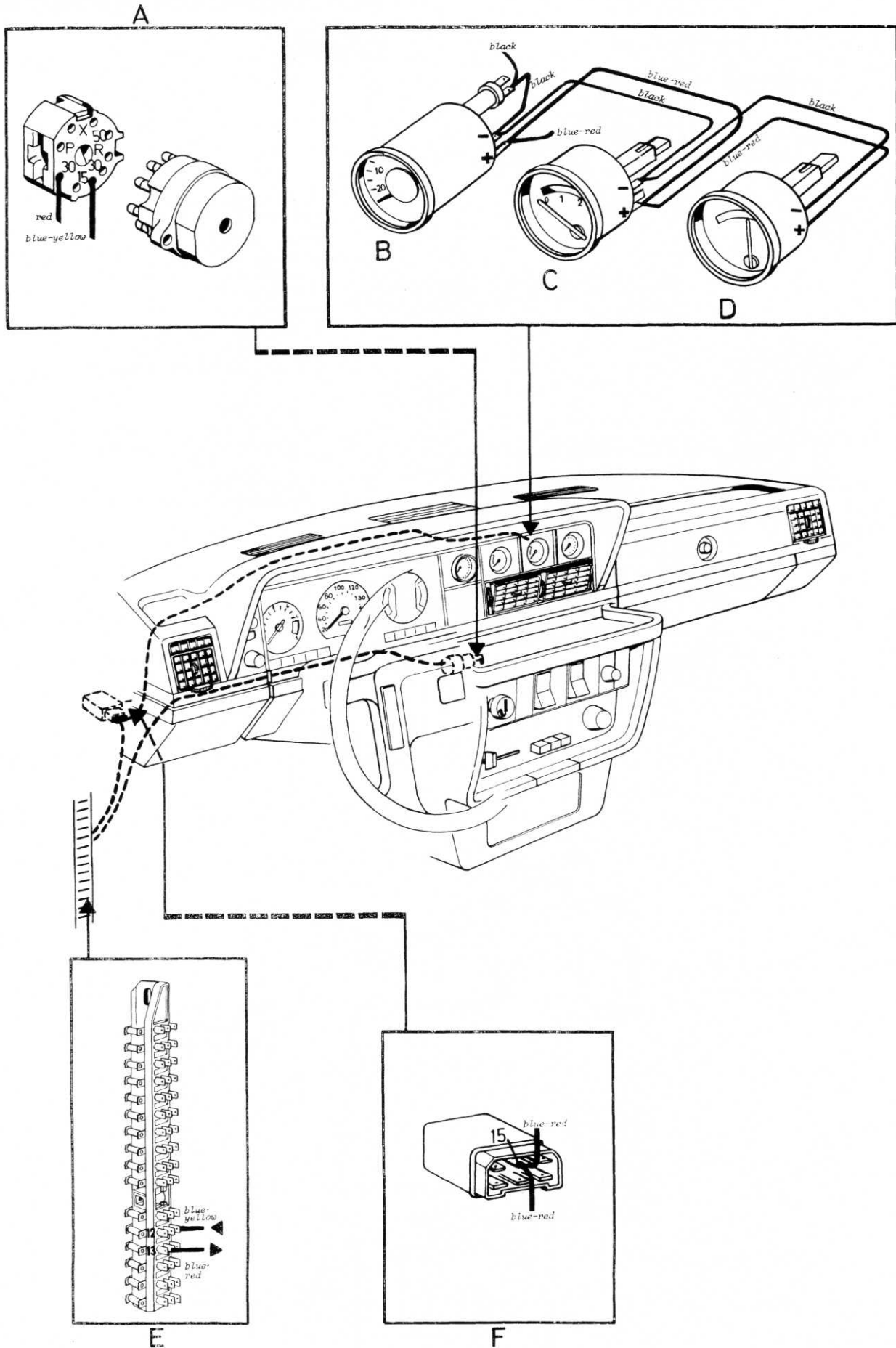


- Fuse No. 13:**
 Instrument cluster
 Turn signals
 Seat belt warning
 Relay, fuel injection
 Solenoid valve (carburetor)
 CIS system
 Oil pressure gauge
 Voltmeter
 Ambient temperature gauge

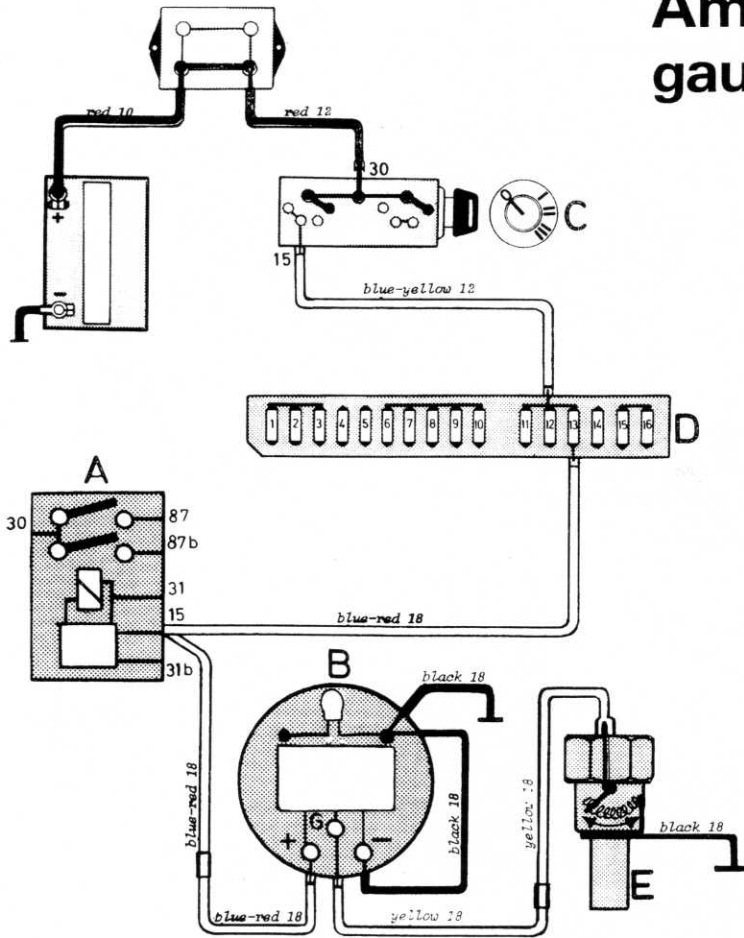
- Legend:**
 A Ignition switch
 B Ambient temperature gauge, alt. Turbo discharge pressure gauge
 C Oil pressure gauge
 D Voltmeter
 E Fuse box
 F Fuel pump relay



Ignition ON:
 Voltmeter displays system voltage.

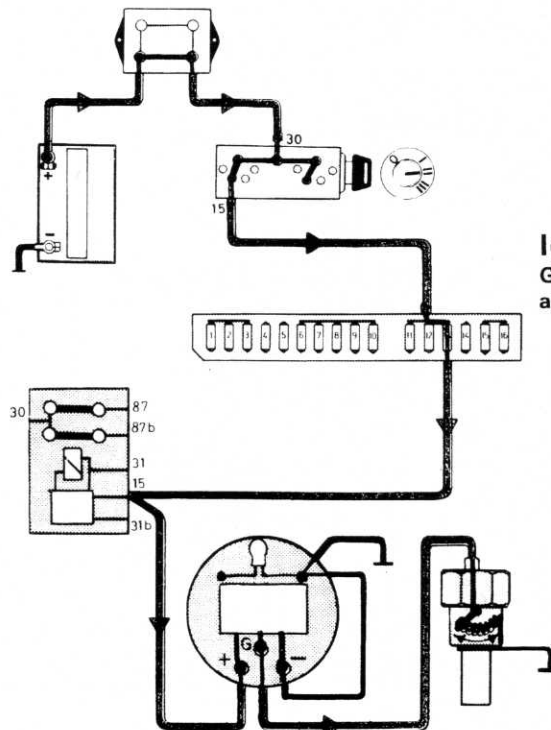


Ambient temperature gauge

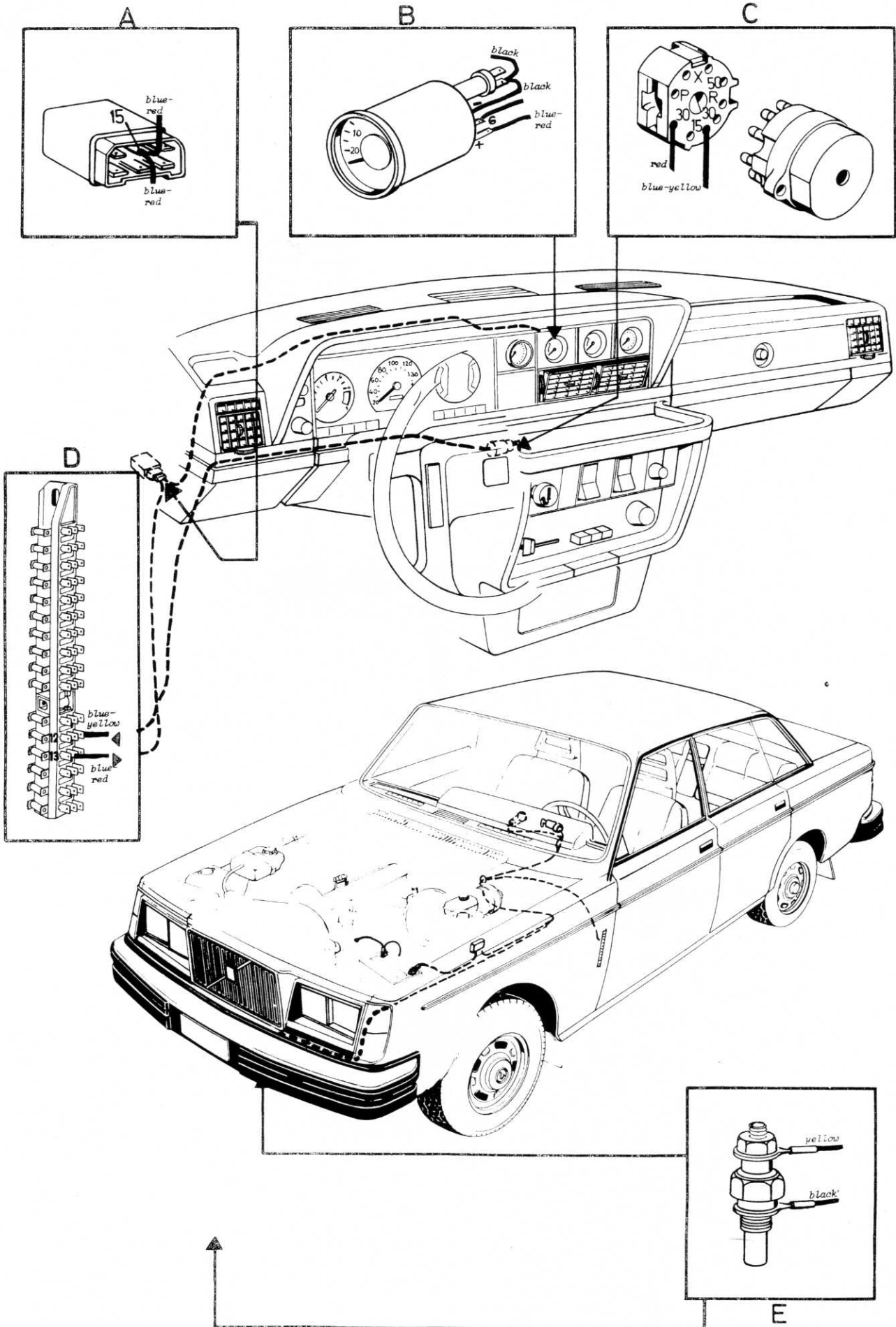


- Fuse No. 13:**
 Instrument cluster
 Turn signals
 Seat belt warning
 Relay, fuel injection
 Solenoid valve (carburetor)
 CIS system
 Oil pressure gauge
 Voltmeter
 Ambient temperature gauge

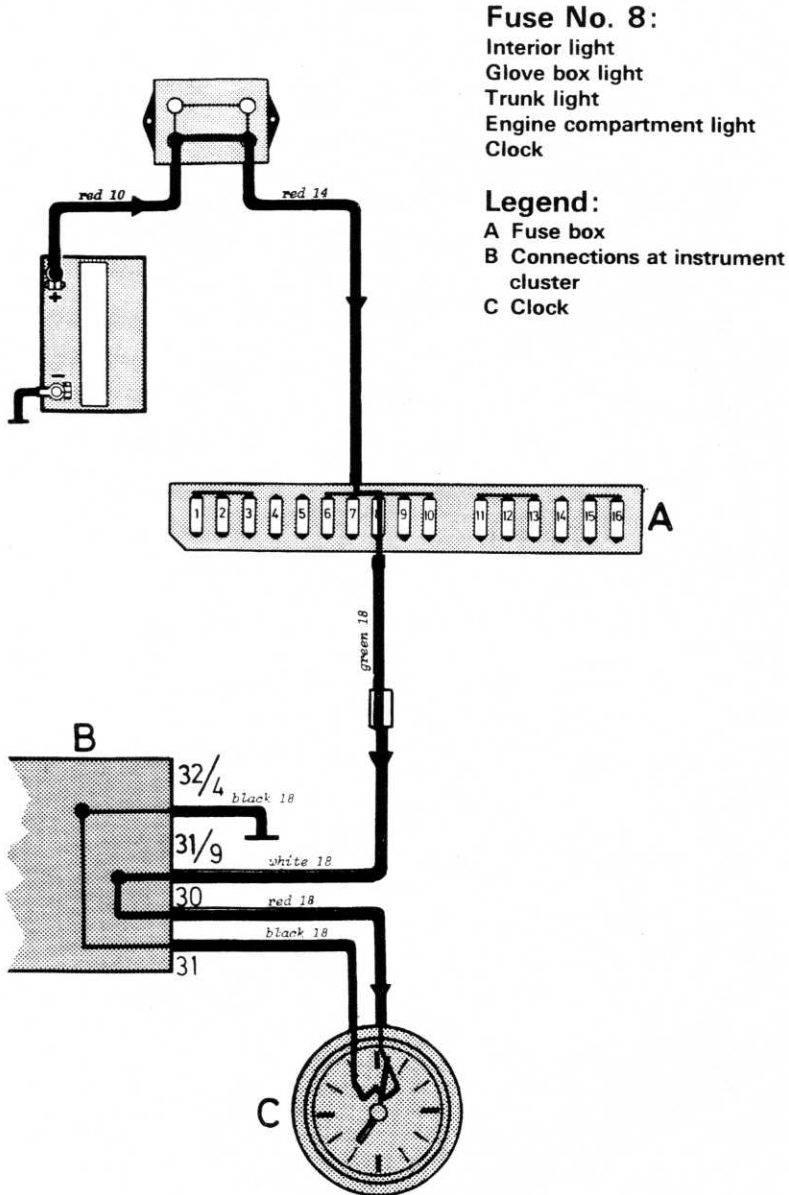
- Legend:**
 A Fuel pump relay
 B Ambient temperature gauge
 C Ignition switch
 D Fuse box
 E Sender, ambient temperature

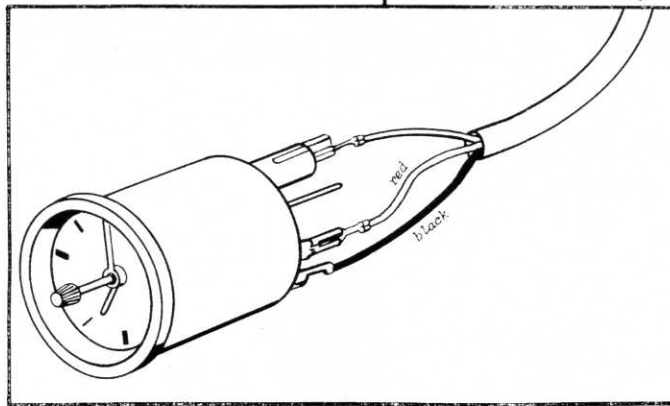
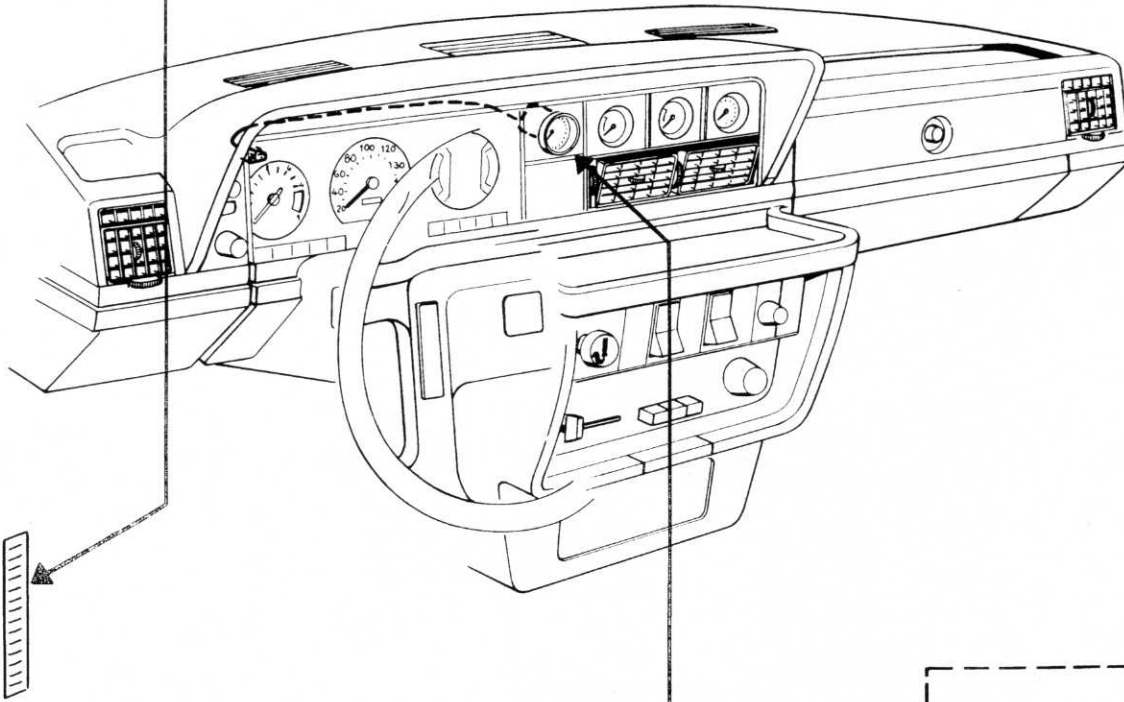
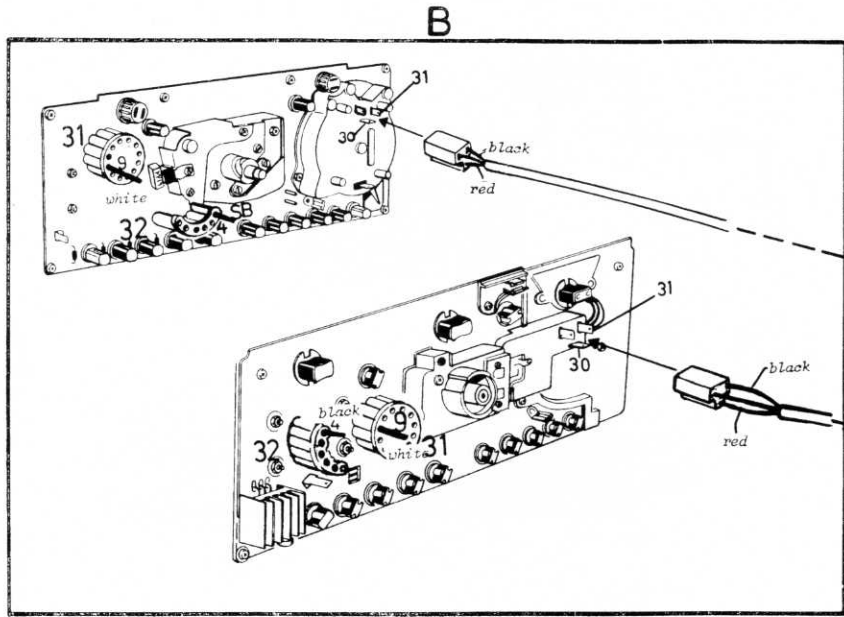
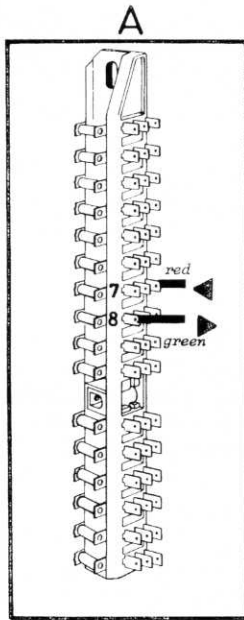


Ignition ON:
 Gauge displays
 ambient temperature.

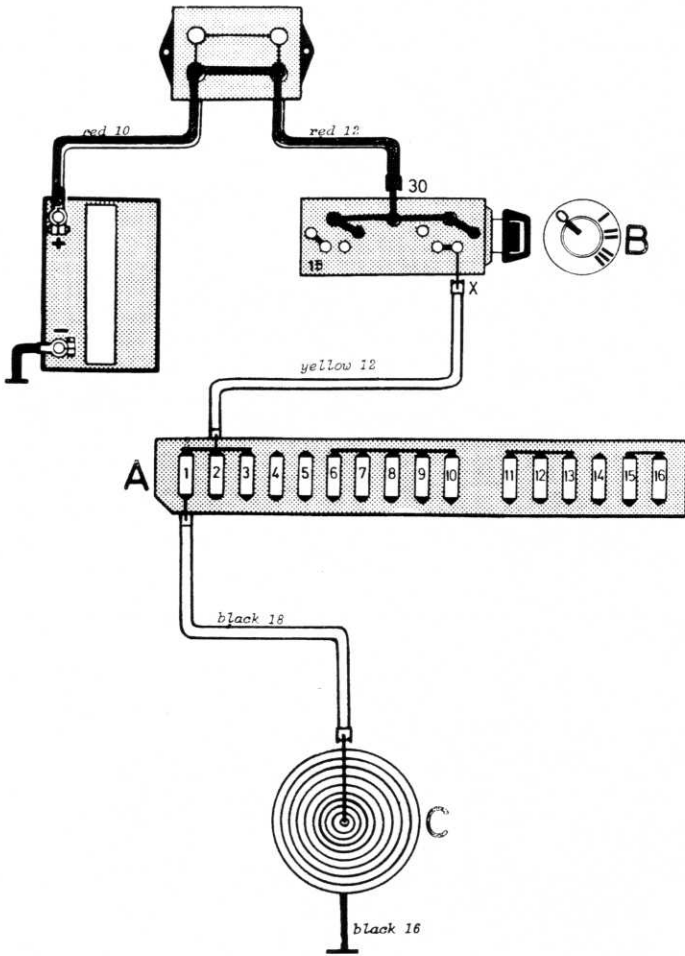


Clock





Cigarette lighter

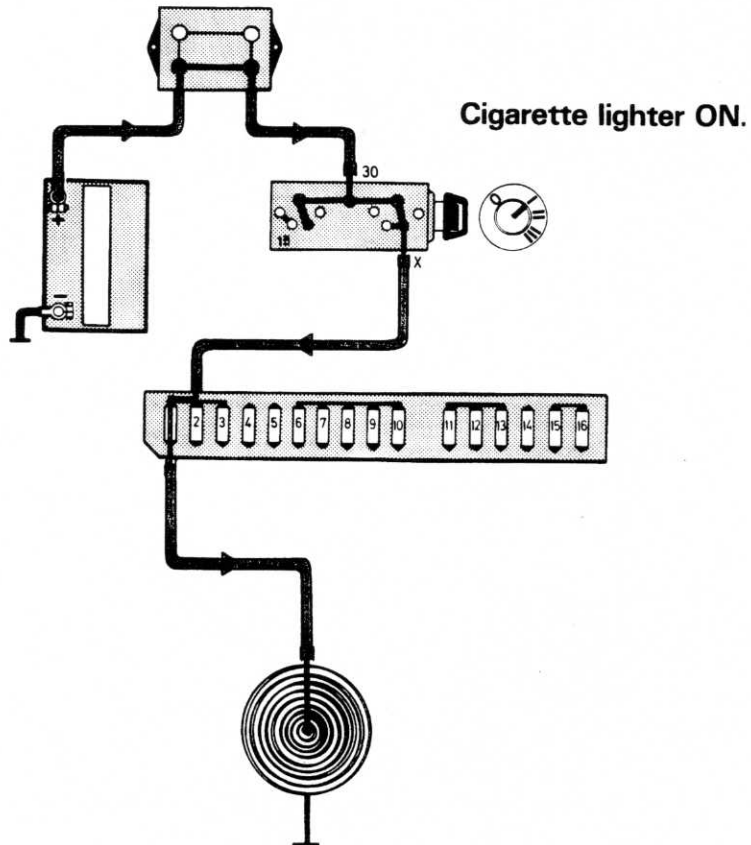


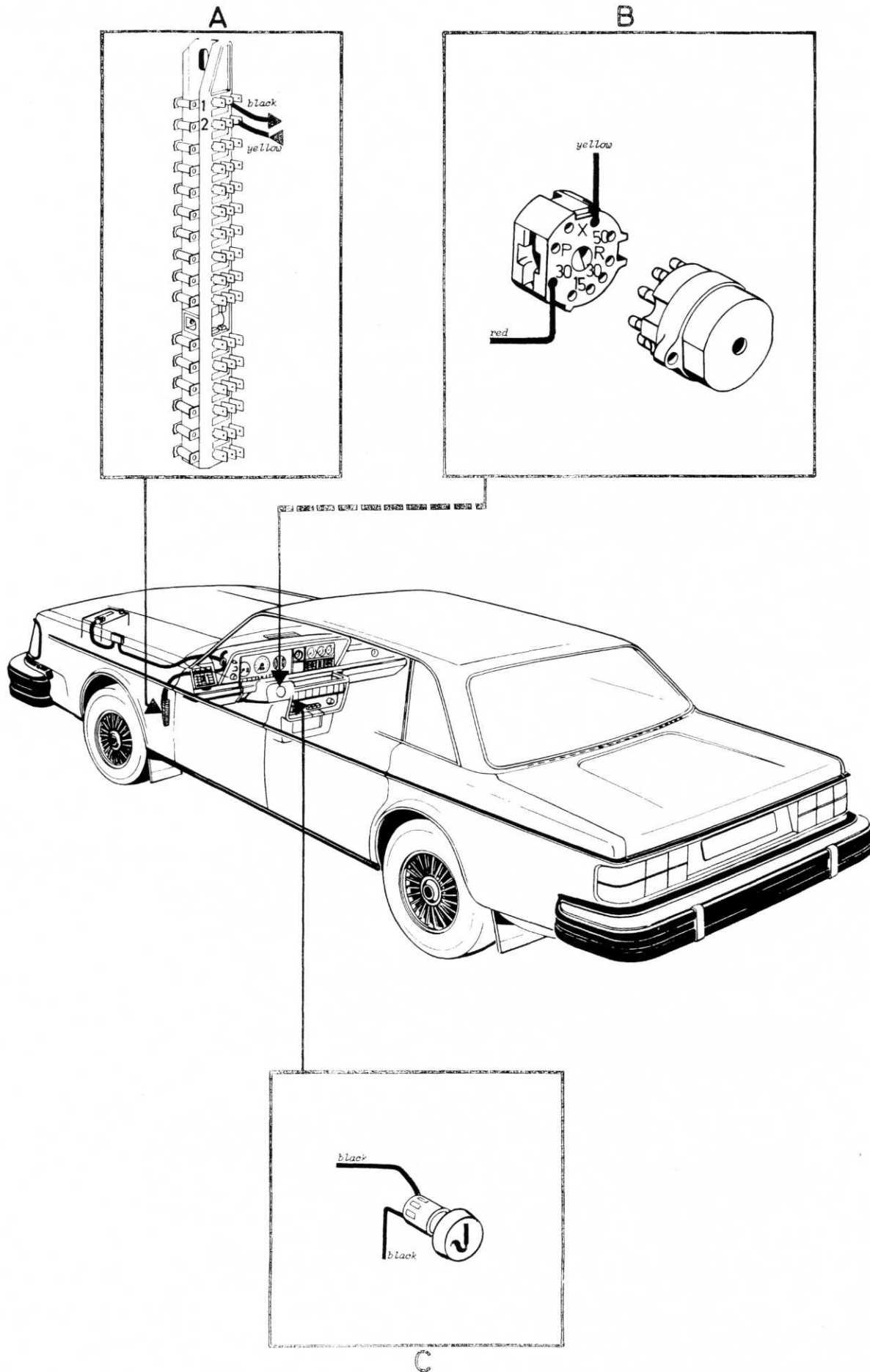
Fuse No. 1:

Cigarette lighter
Tail gate window wiper and washer
Electrically operated side mirrors
Radio (and power antenna)

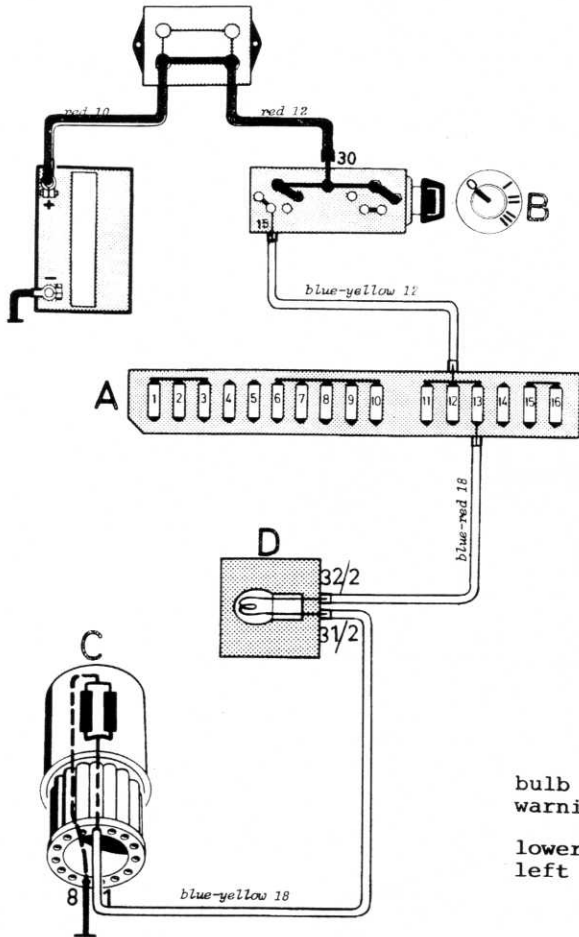
Legend:

- A Fuse box
- B Ignition switch
- C Cigarette lighter



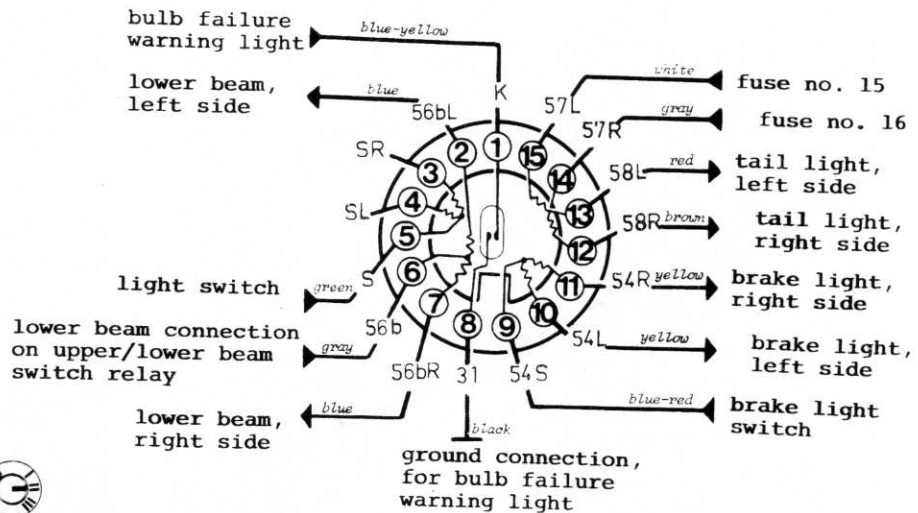


Bulb failure warning light system



Fuse No. 13:
 Instruments
 Turn signals
 Seat belt warning
 Relay, fuel injection
 Solenoid valve (carburetor)

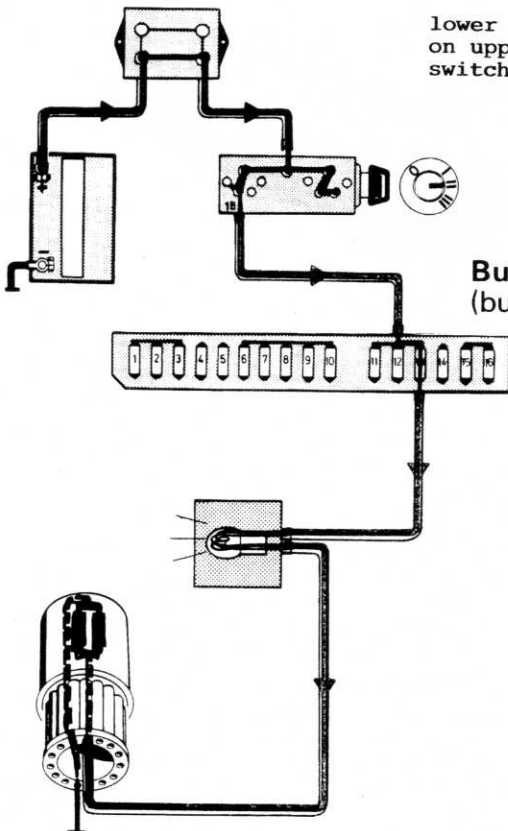
Legend:
 A Fuse box
 B Ignition switch
 C Bulb failure sensor
 D Bulb failure warning light

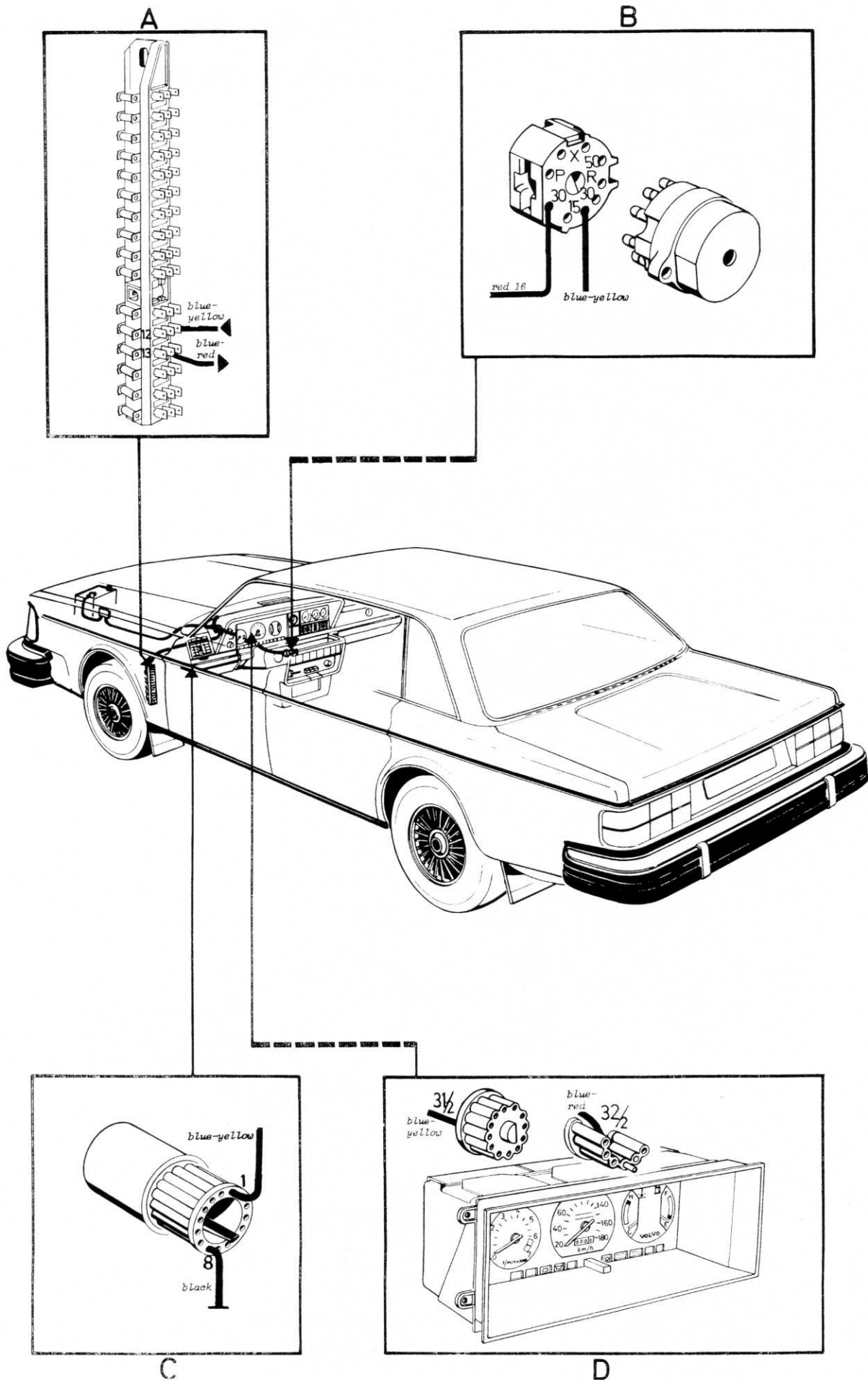


Bulb failure sensor activated
 (bulb out of order)

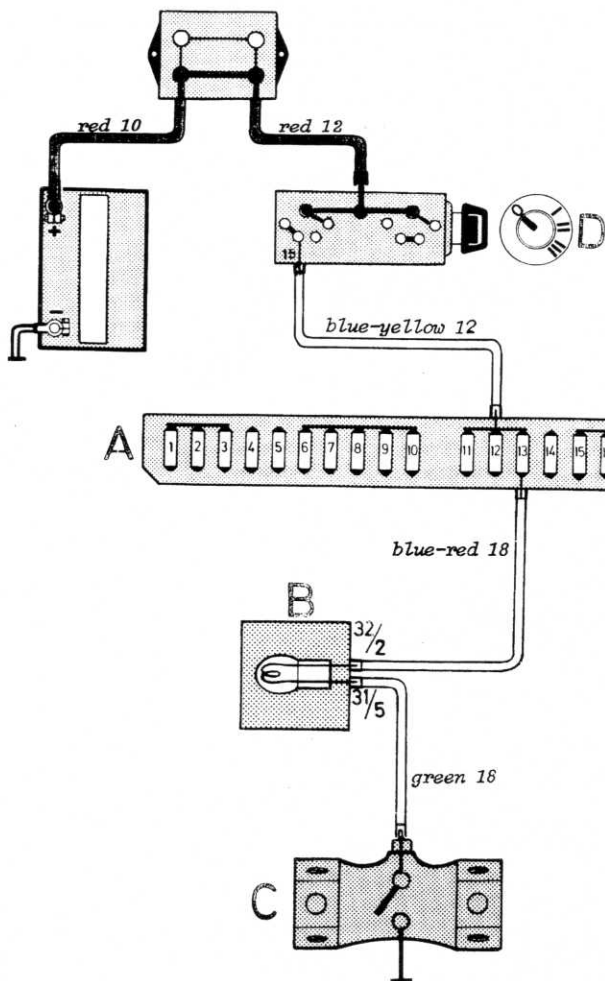
Warning light illuminates when any one bulb in following light system is inoperative:

- Tail lights
- Brake lights
- Headlights, lower beams



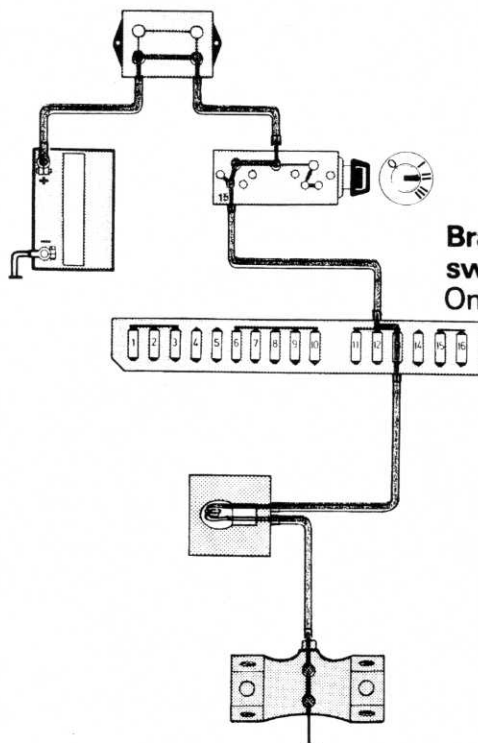


Brake failure warning light system

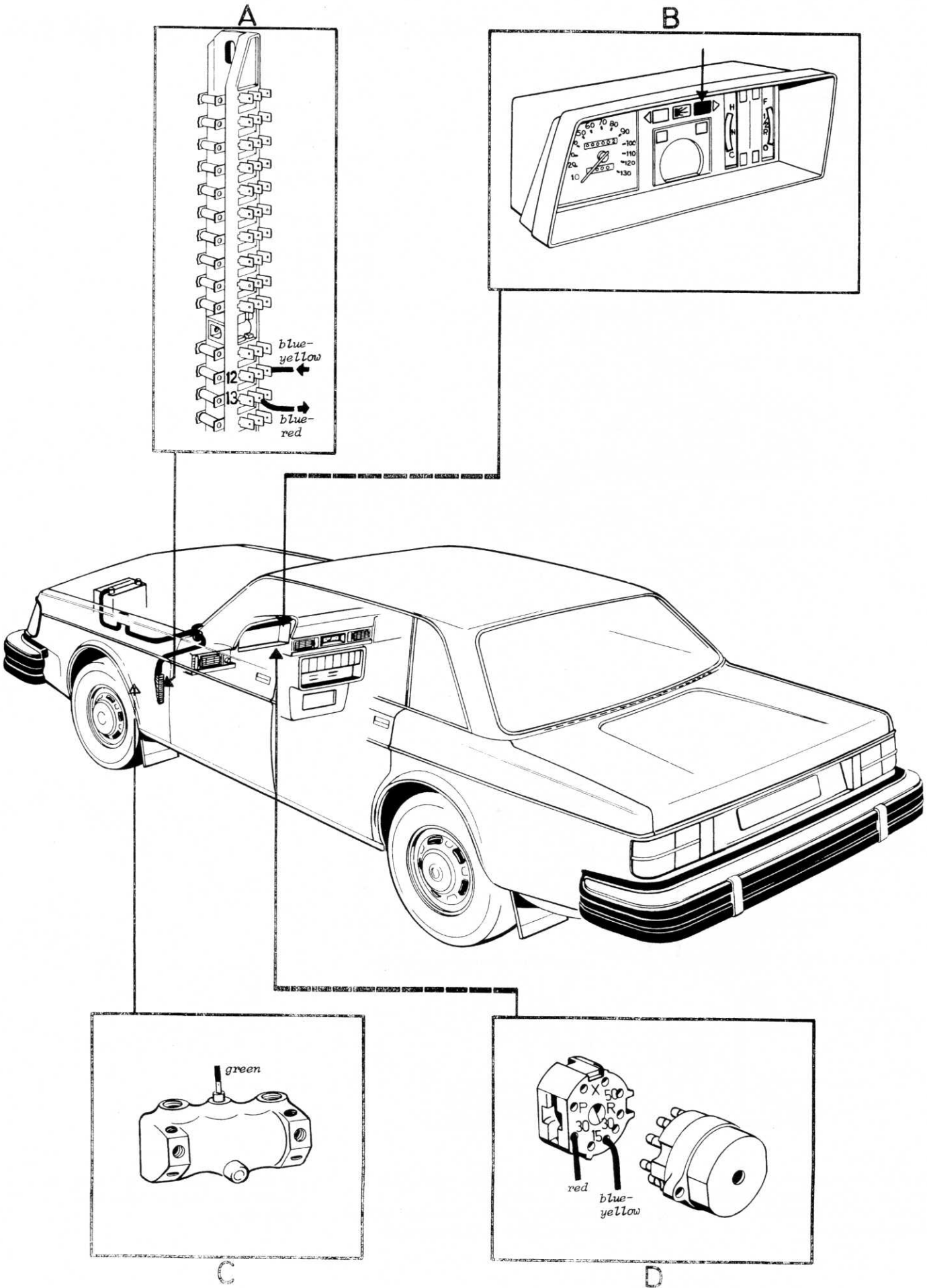


Fuse No. 13:
Instruments
Turn signals
Seat belt warning
Relay, fuel injection
Solenoid valve (carburetor)

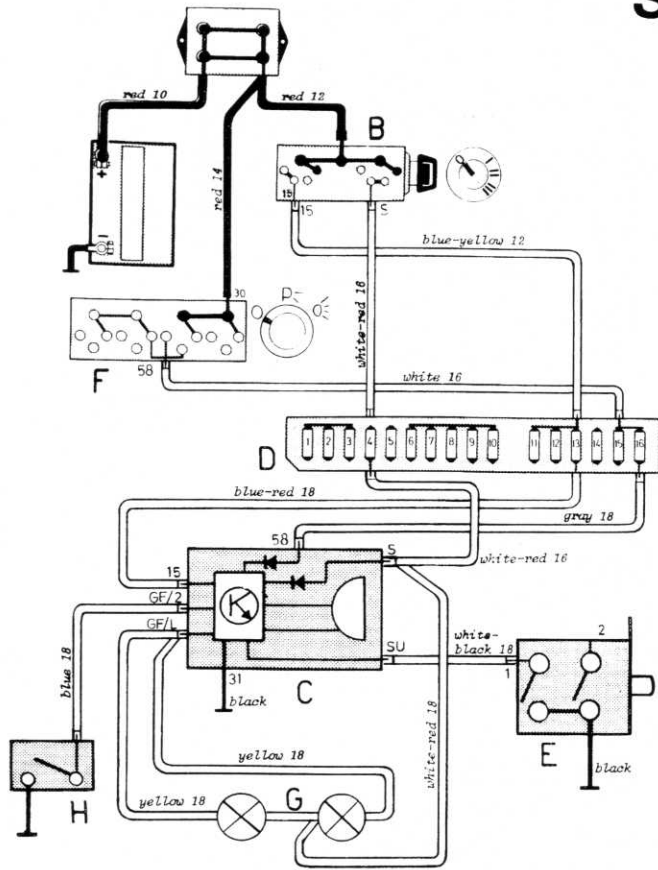
Legend:
A Fuse box
B Brake failure warning light
C Brake failure warning switch



Brake failure warning switch activated
One brake circuit fails.



Seat belt warning system

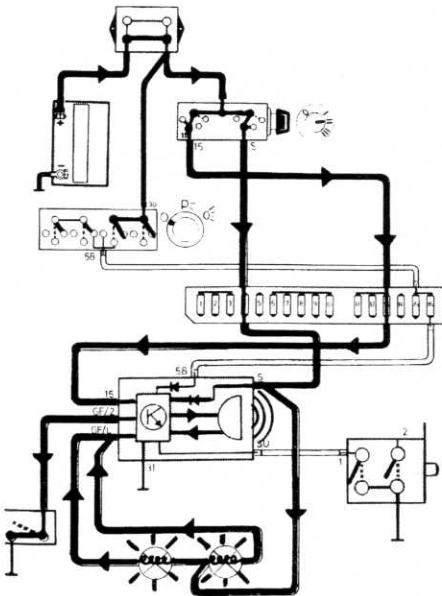


Fuse No. 4:
Seat belt warning
Ignition key buzzer

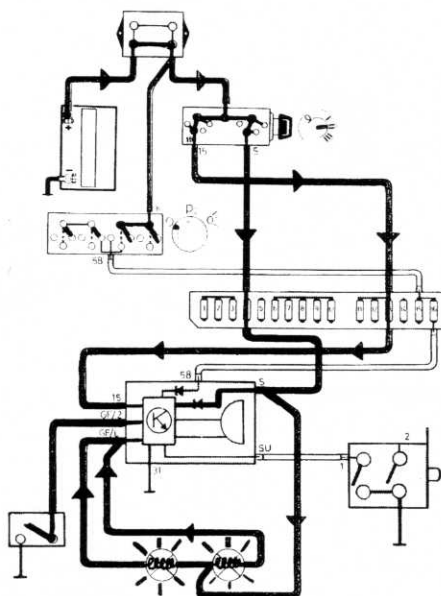
Fuse No. 13:
Instruments
Turn signals
Seat belt warning
Relay, fuel injection
Solenoid valve (carburetor)

Fuse No. 16:
Parking light, right side
Instrument lights
Lights on controls
Buzzer, headlight

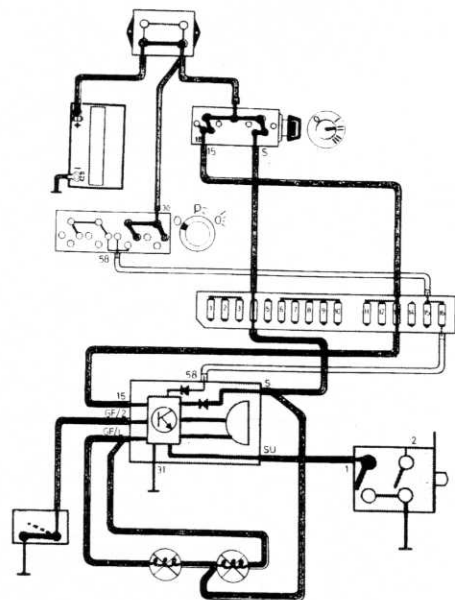
Legend:
B Ignition switch
C Buzzer relay
D Fuse box
E Door switch, left side front door
F Light switch
G Reminder lights
H Switch for seat belt, driver's seat



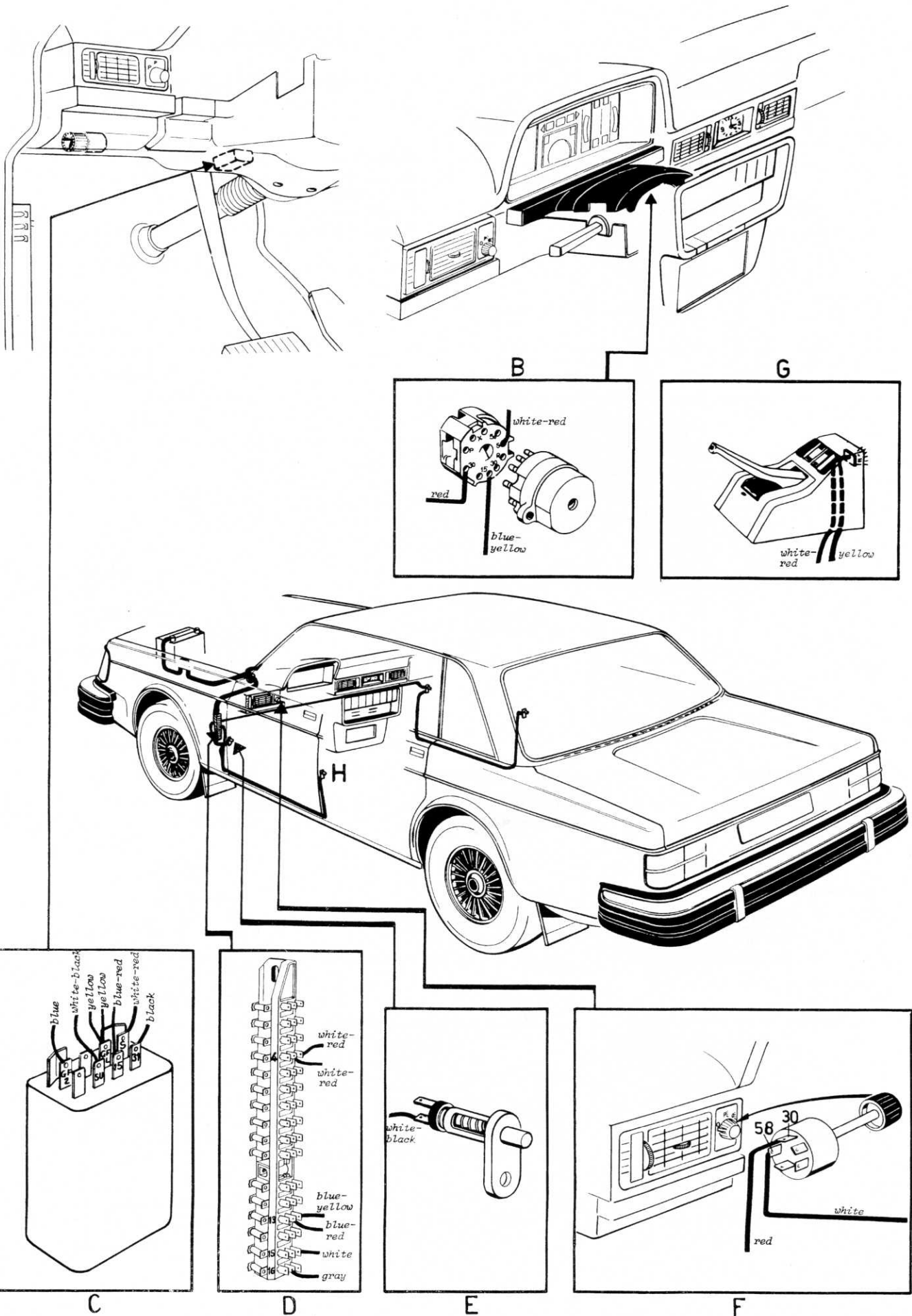
Ignition ON
Seat belt not buckled.
Reminder lights illuminate and buzzer sounds for 4-8 seconds after switching ignition switch ON.



Ignition ON
Seat belt being buckled within 4-8 seconds: buzzer goes OUT.
With ignition ON, reminder lights remain illuminated full time (4-8 seconds).



Ignition ON for more than 4-8 seconds.
Buzzer OUT, reminder lights NOT illuminated.



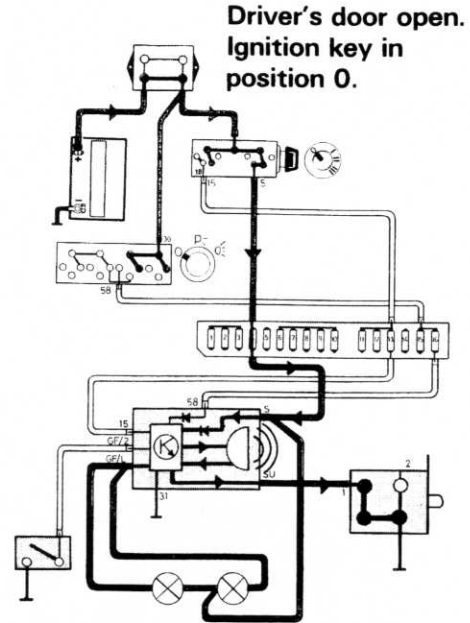
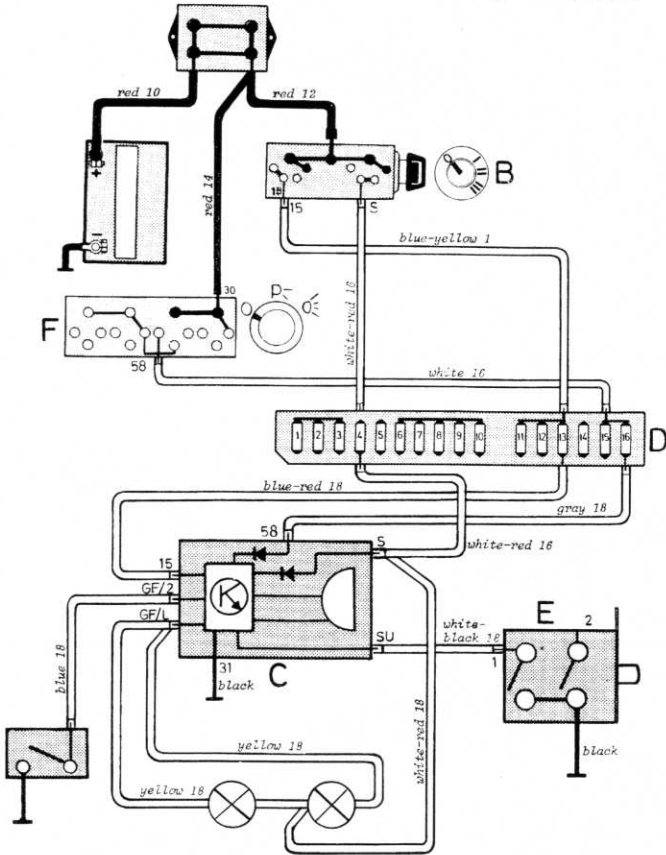
Ignition key and light warning system

Fuse No. 4:
Seat belt warning
Ignition key buzzer

Fuse No. 13:
Instruments
Turn signals
Seat belt warning
Relay, fuel injection

Fuse No. 16:
Parking light, right side
Instrument lights
Lights on controls
Buzzer, headlight

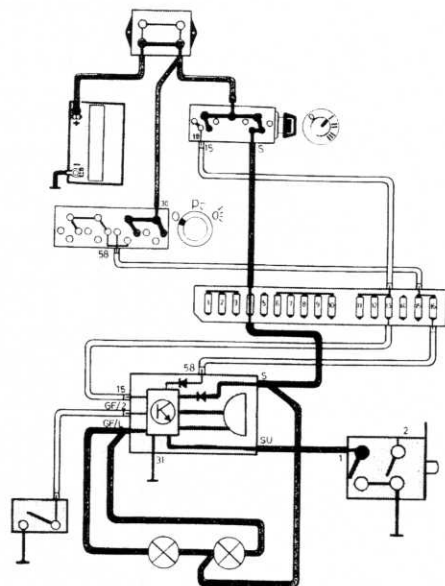
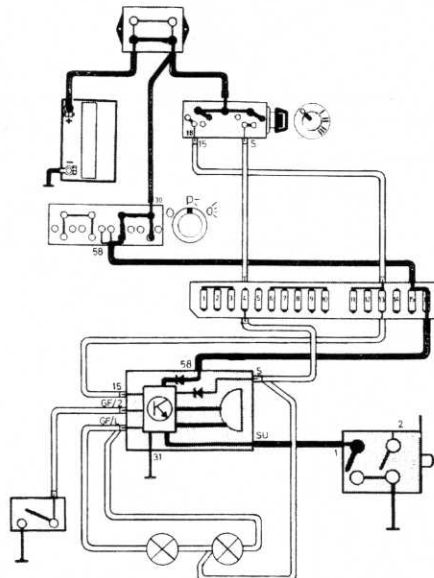
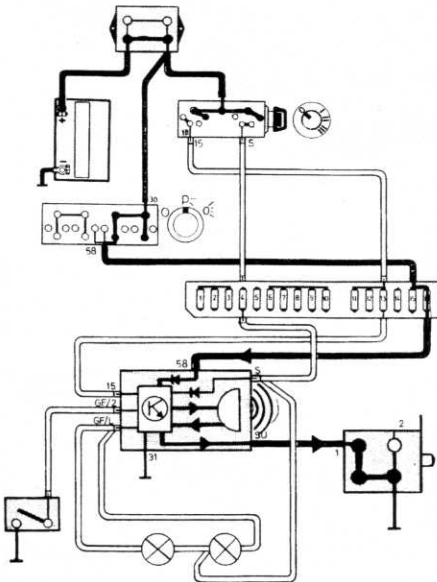
Legend:
B Ignition switch
C Buzzer relay
D Fuse box
E Door switch, left side front door
F Light switch

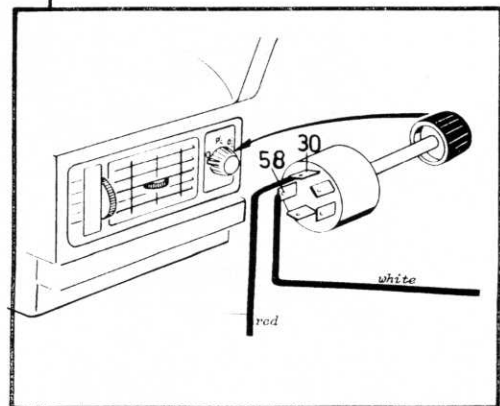
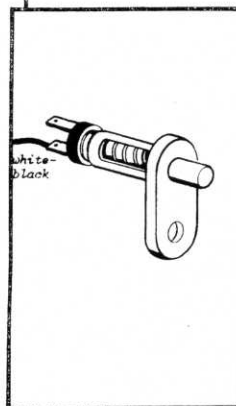
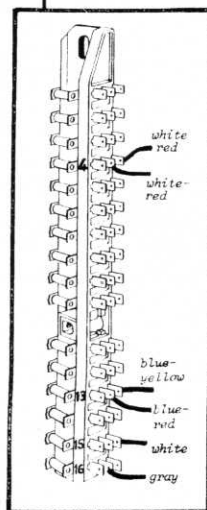
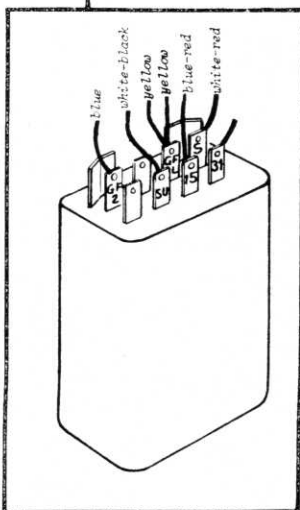
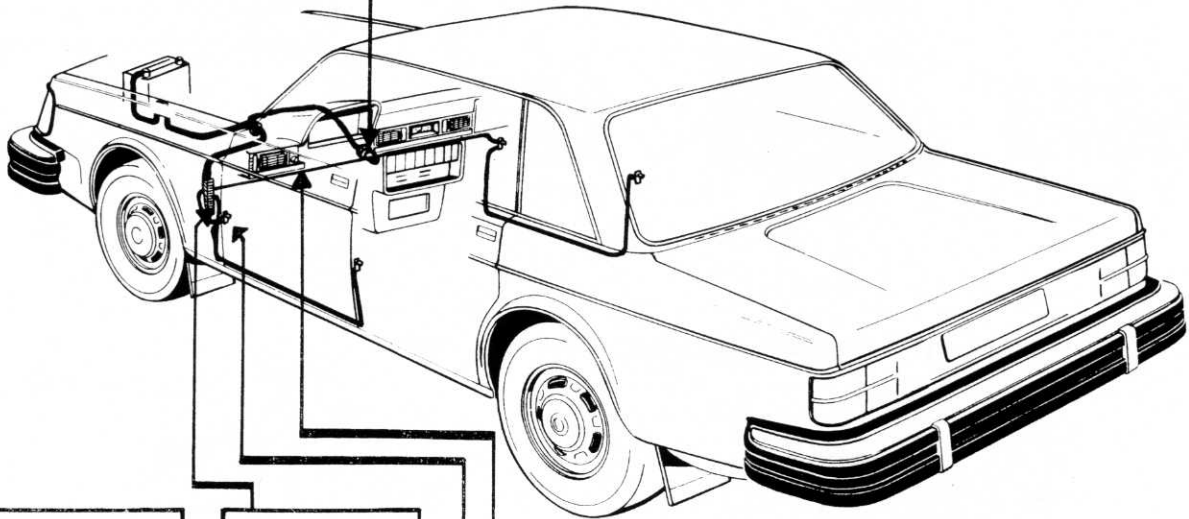
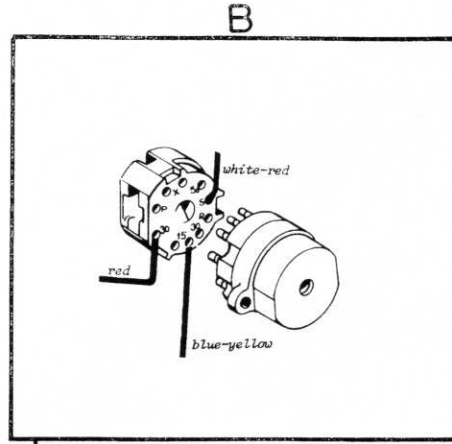
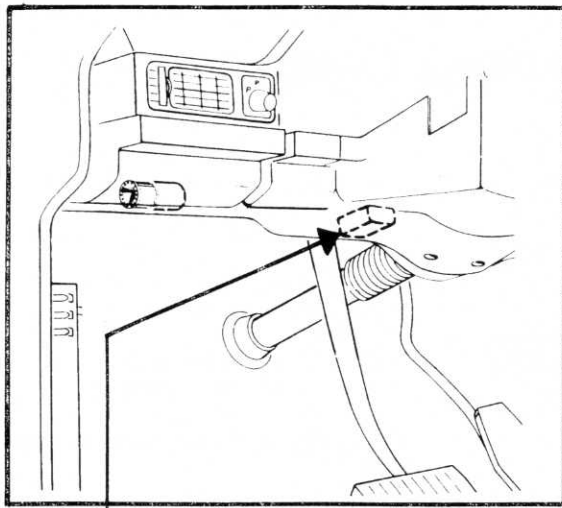


Light switch ON. Driver's door open. Ignition key OUT.

Light switch ON. Driver's door closed. Ignition key OUT.

Driver's door closed. Ignition switch in position I.





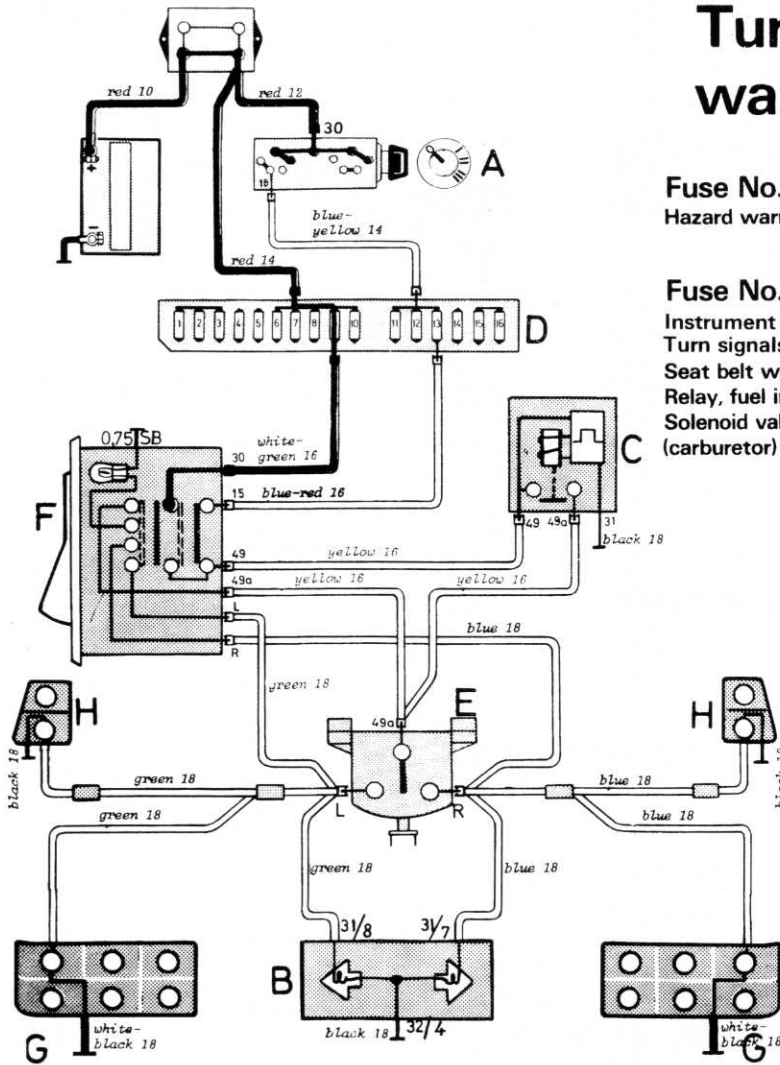
Turn signals and hazard warning flashers

Fuse No. 9:
Hazard warning flashers

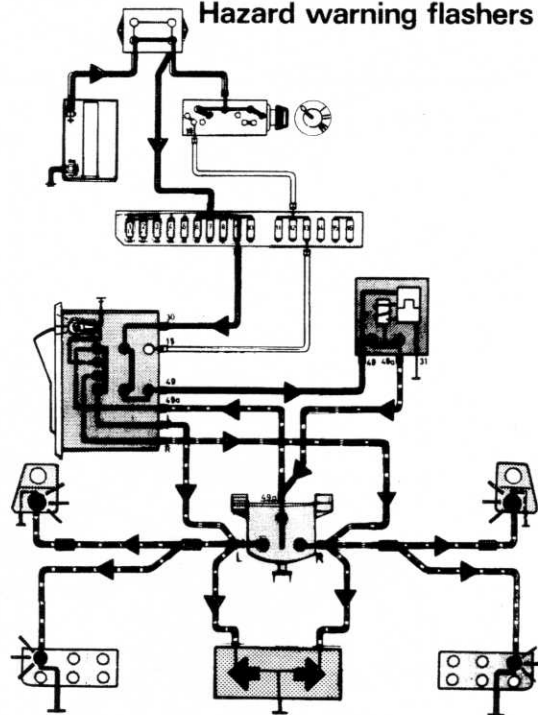
Fuse No. 13:
Instrument cluster
Turn signals
Seat belt warning
Relay, fuel injection
Solenoid valve
(carburetor)

Legend:

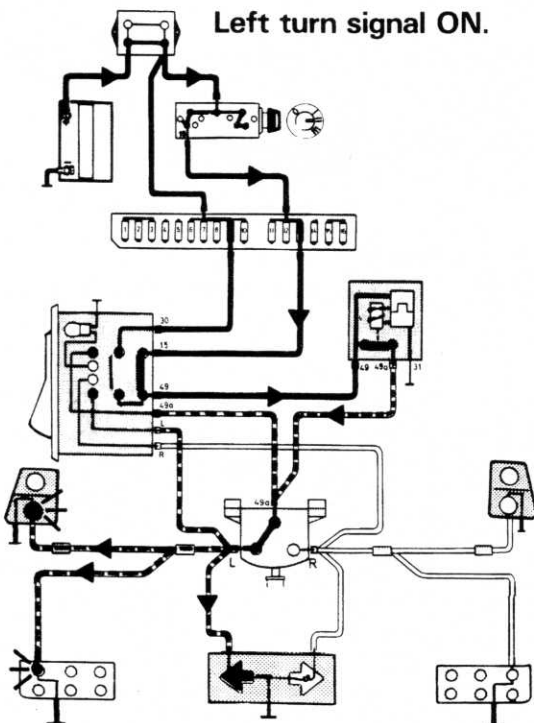
- A Ignition switch
- B Instrument connector
- C Flasher unit
- D Fuse box
- E Turn signal switch
- F Switch, hazard warning flashers
- G Rear turn signal lights
- H Front turn signal lights



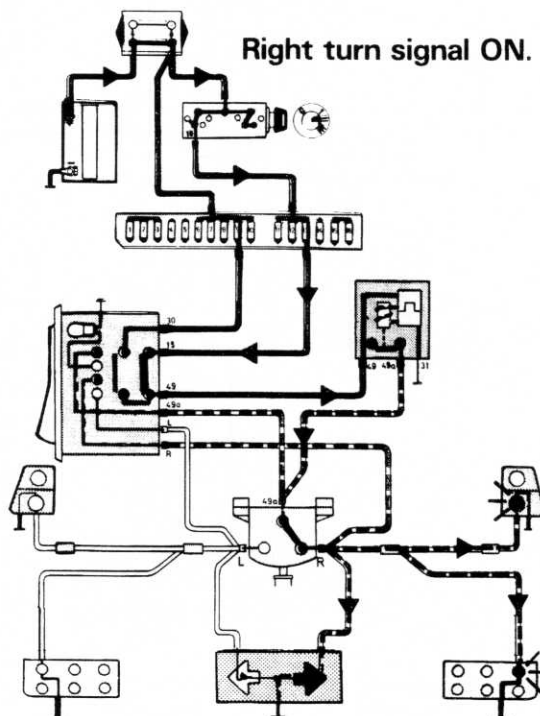
Hazard warning flashers ON.

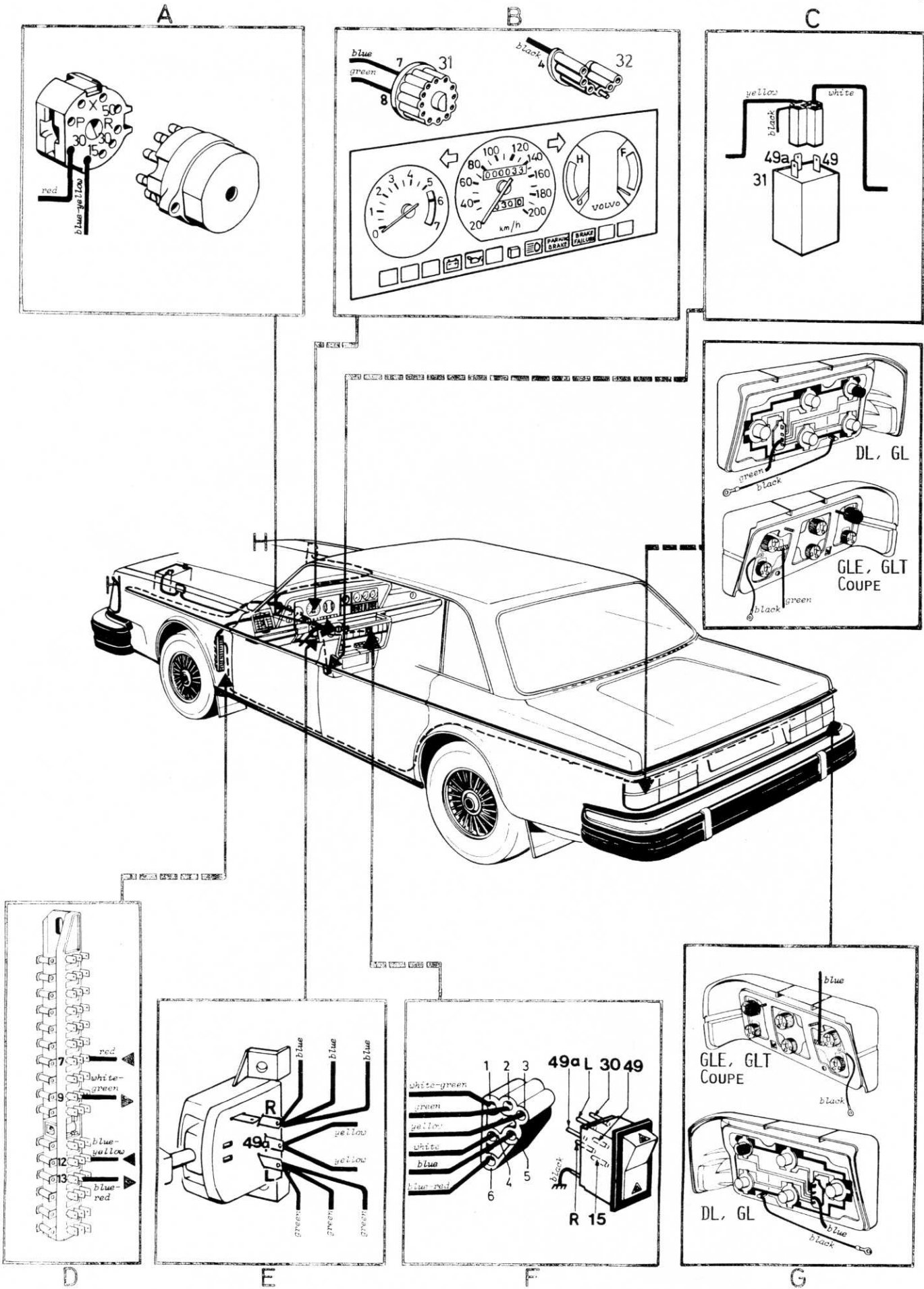


Left turn signal ON.

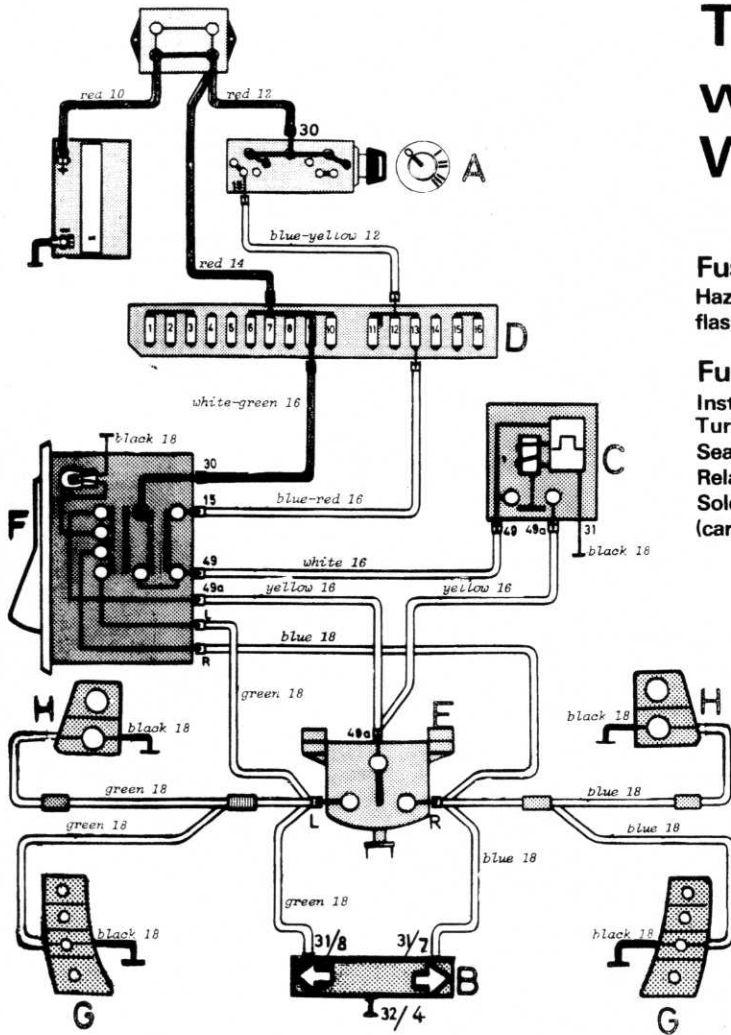


Right turn signal ON.





Turn signals and hazard warning flashers Wagon



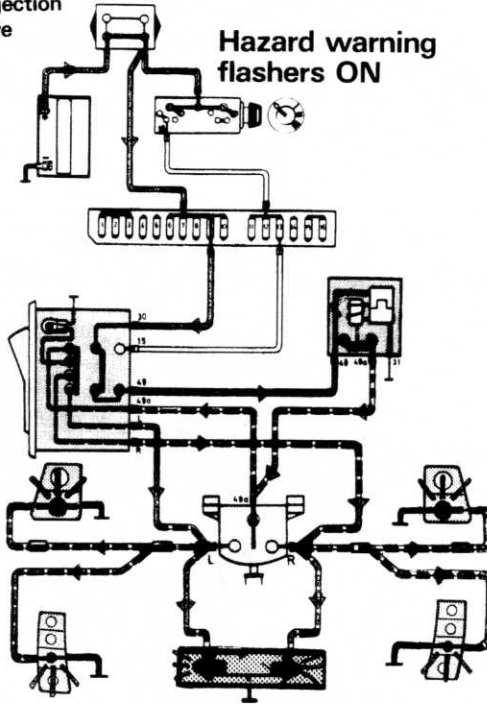
Legend:

- A Ignition switch
- B Instrument connectors
- C Flasher unit
- D Fuse box
- E Turn signal switch
- F Switch, hazard warning flashers
- G Rear turn signal lights
- H Front turn signal lights

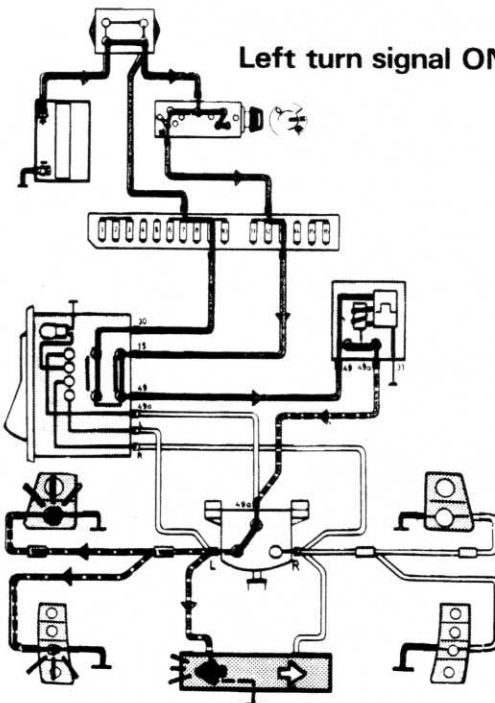
Fuse No. 9:
Hazard warning flashers

Fuse No. 13:
Instrument cluster
Turn signals
Seat belt warning
Relay, fuel injection
Solenoid valve (carburetor)

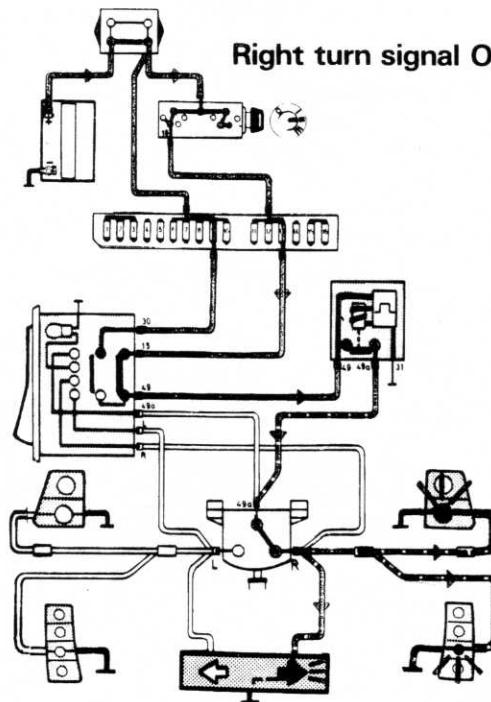
Hazard warning flashers ON

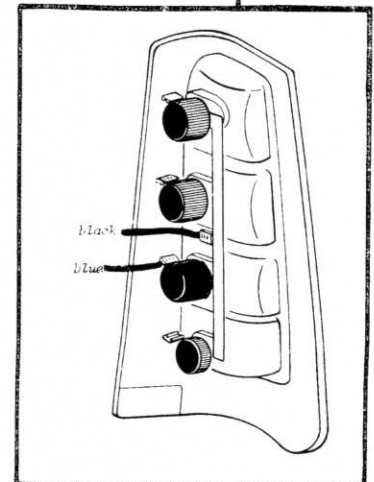
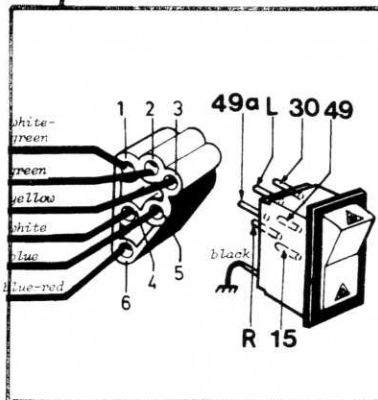
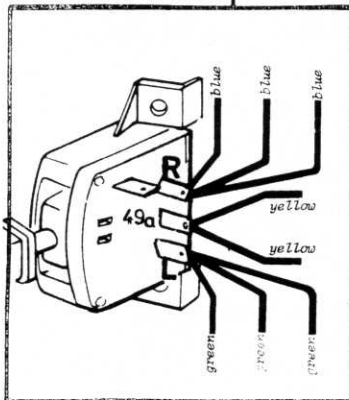
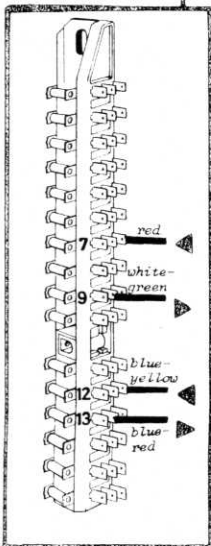
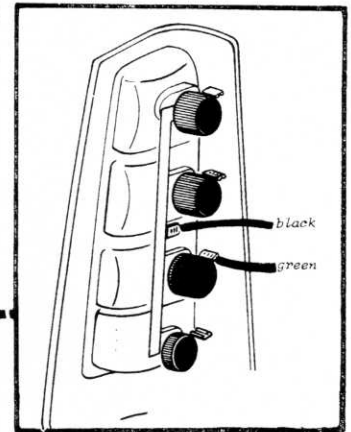
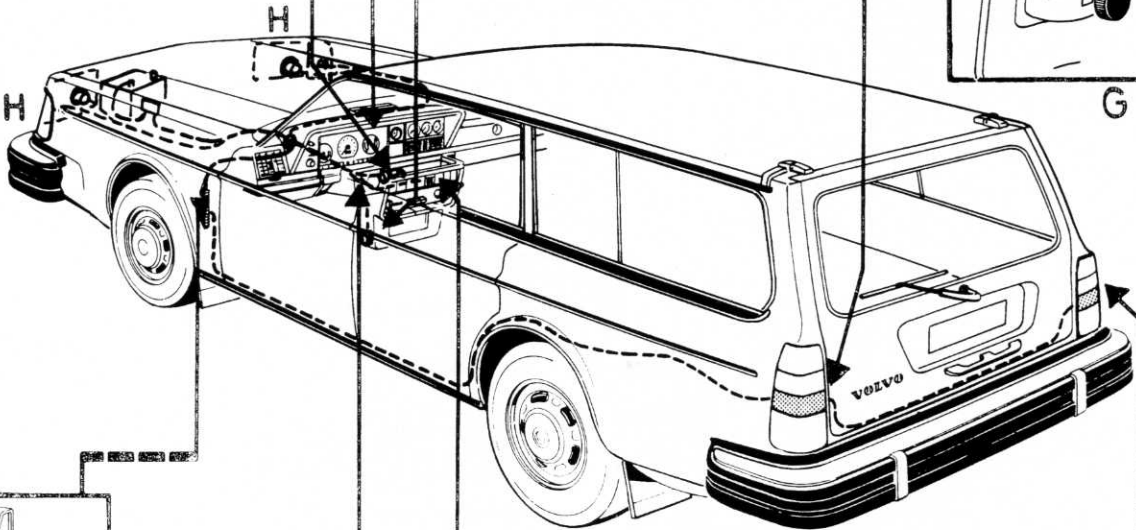
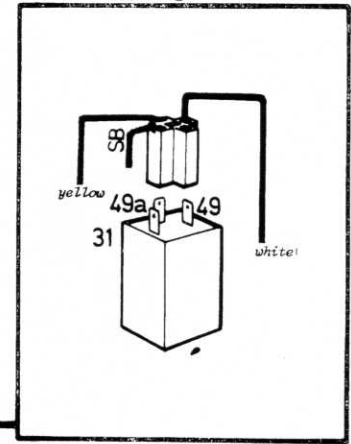
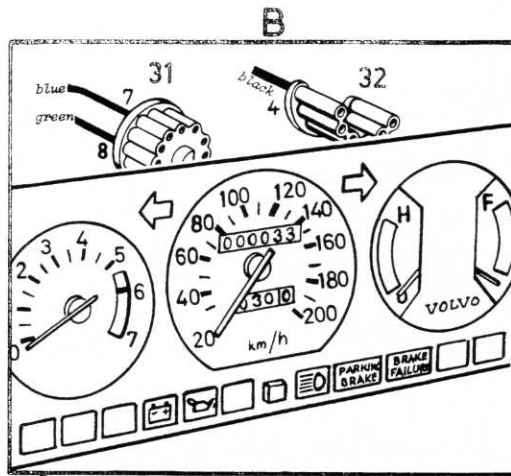
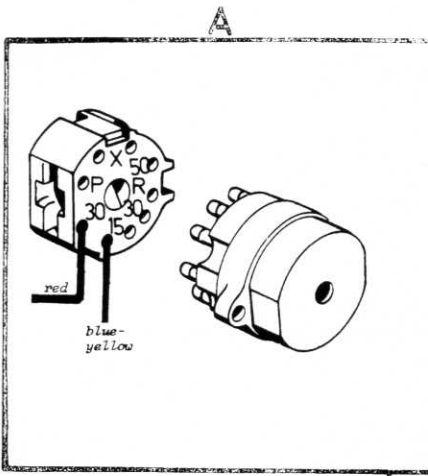


Left turn signal ON

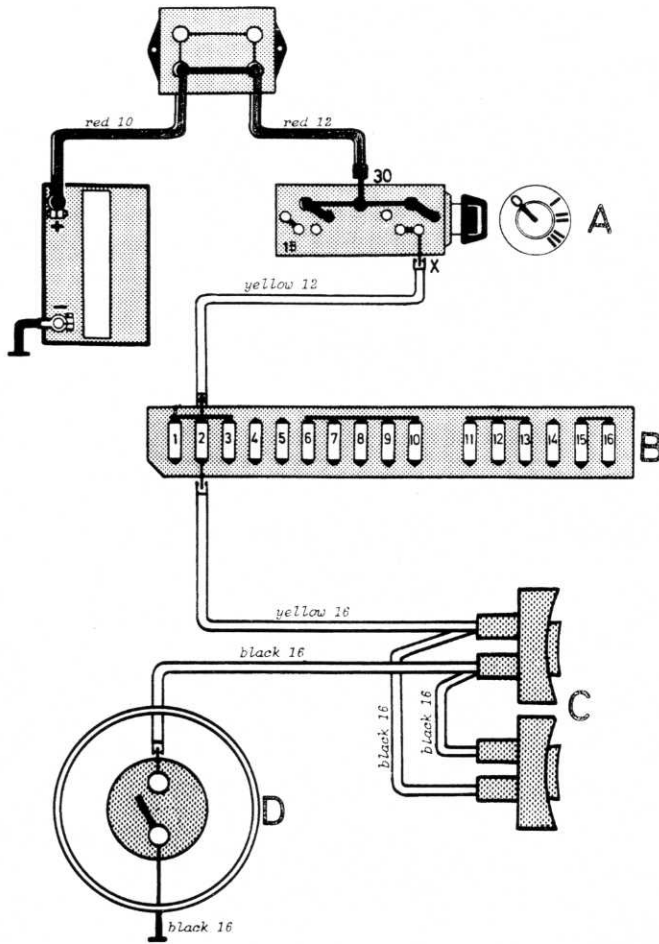


Right turn signal ON



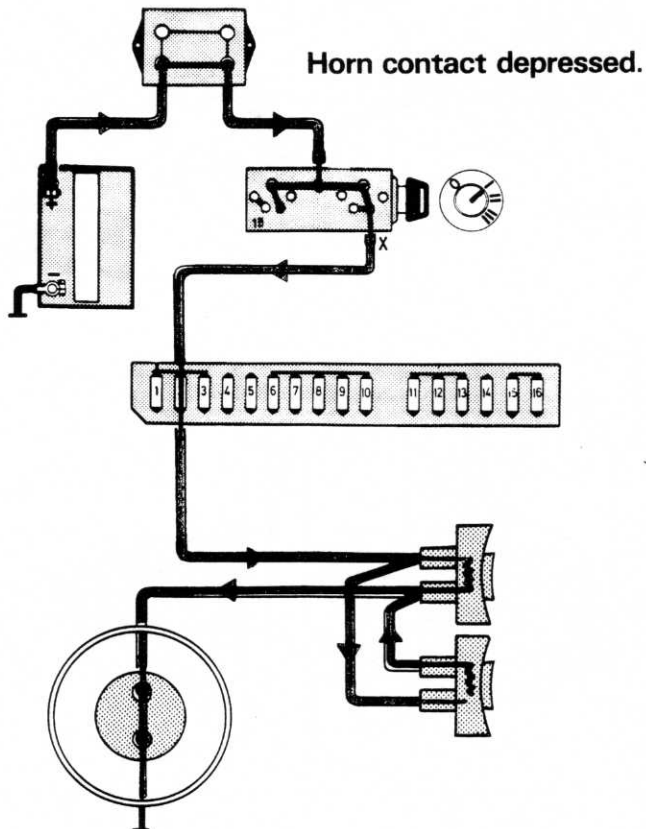


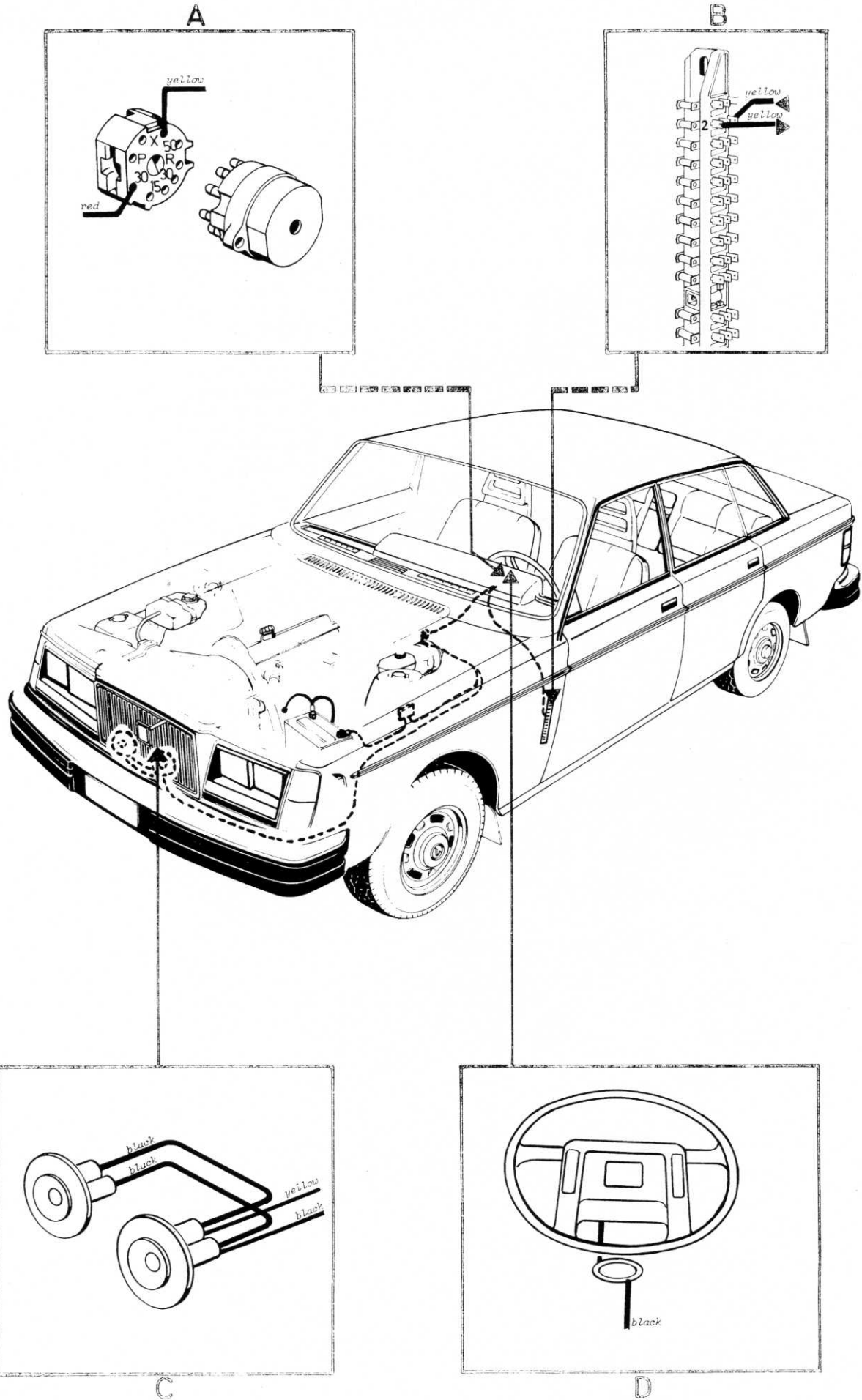
Horn



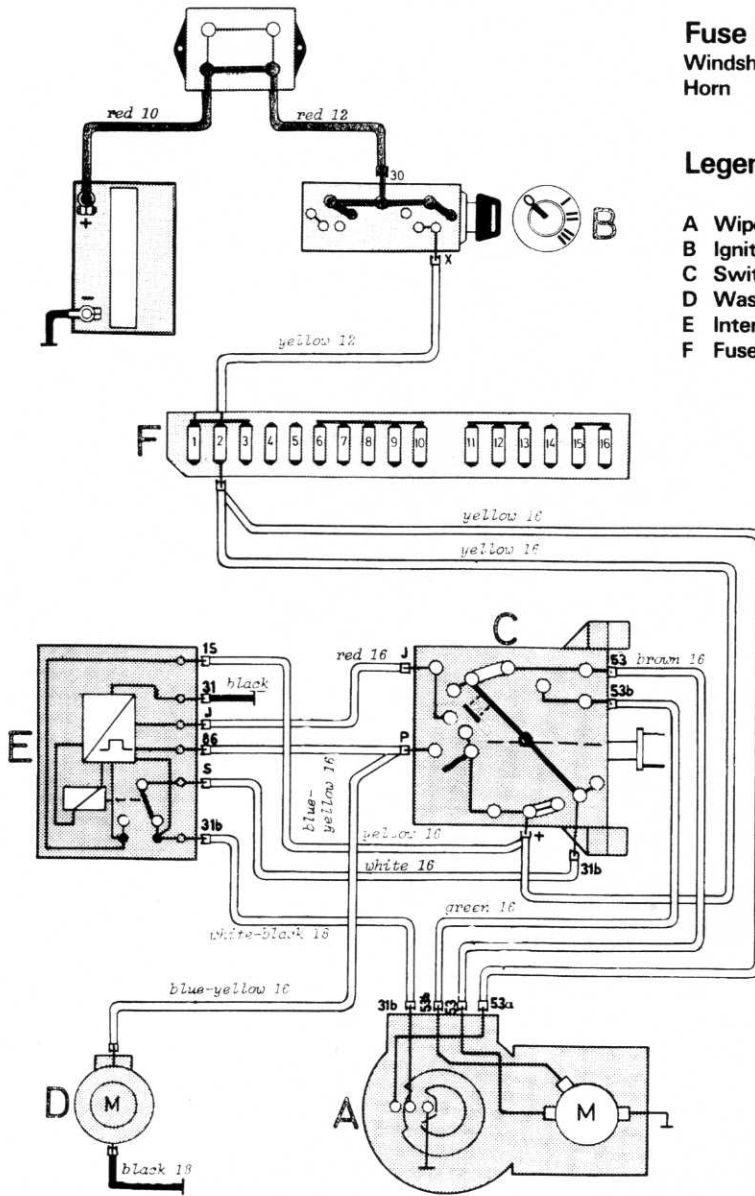
Fuse No. 2:
 Windshield wiper/washer
 Horn

Legend:
 A Ignition switch
 B Fuse box
 C Horn
 D Horn contact



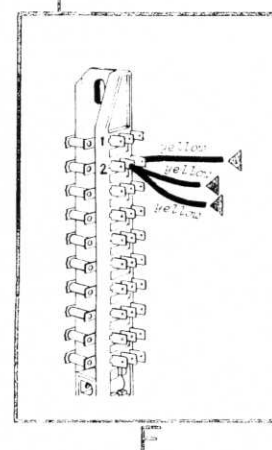
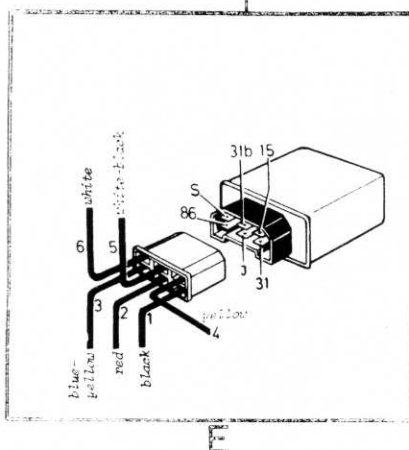
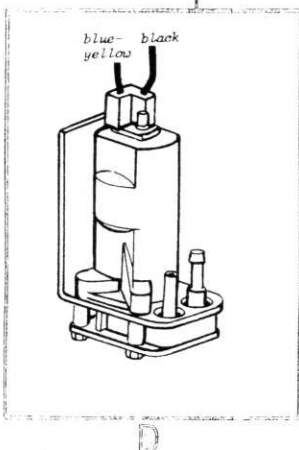
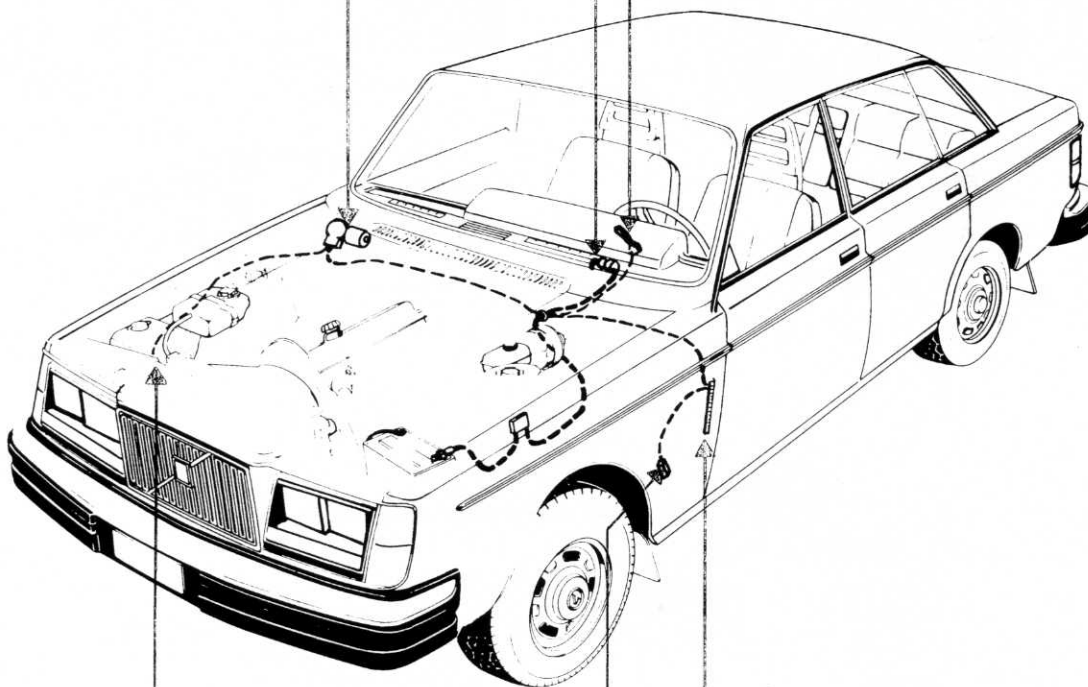
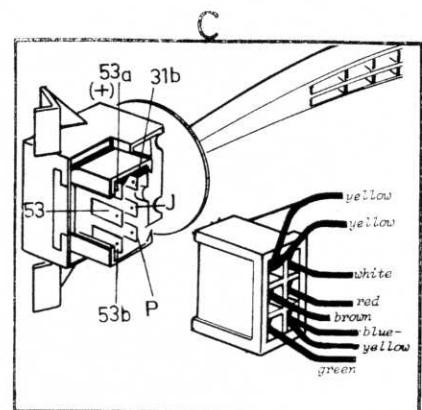
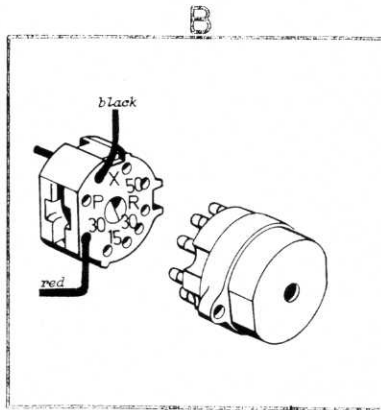
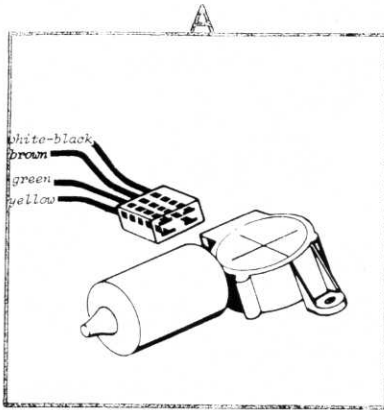


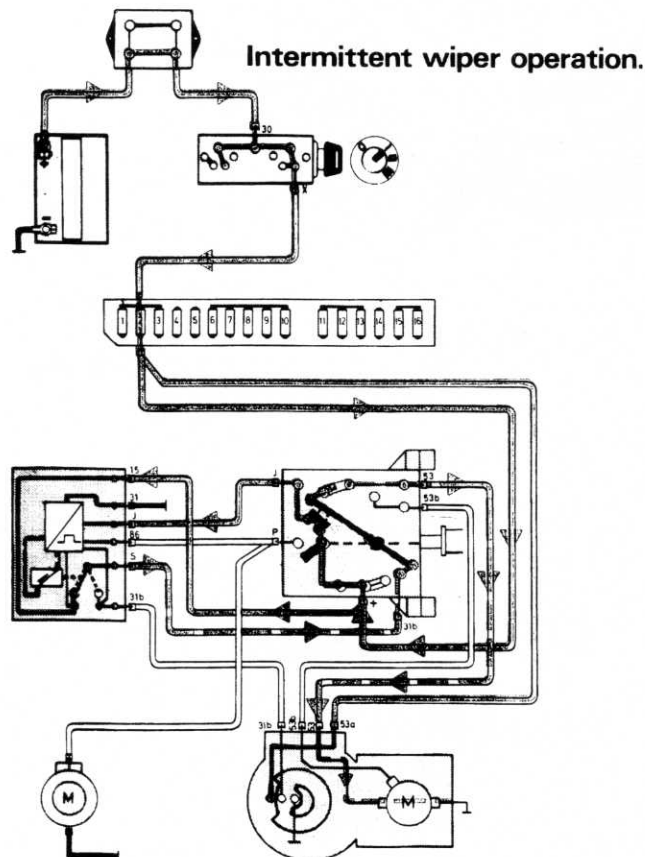
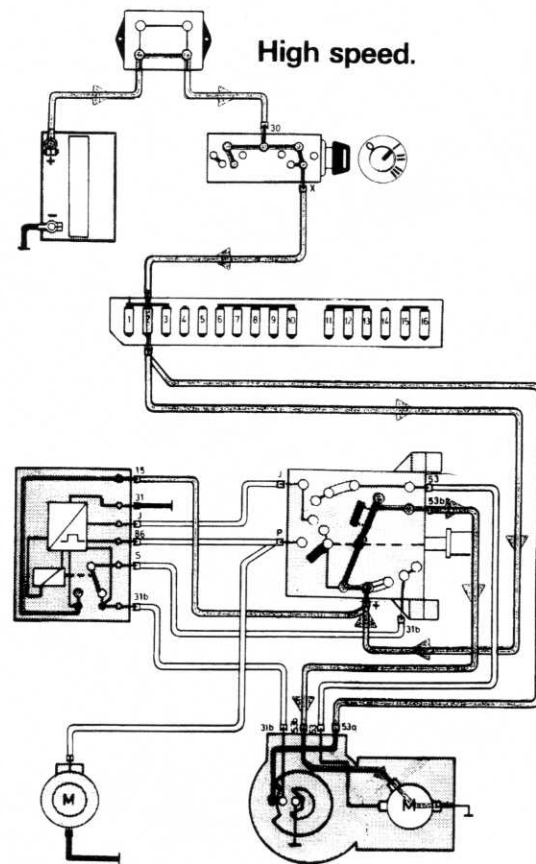
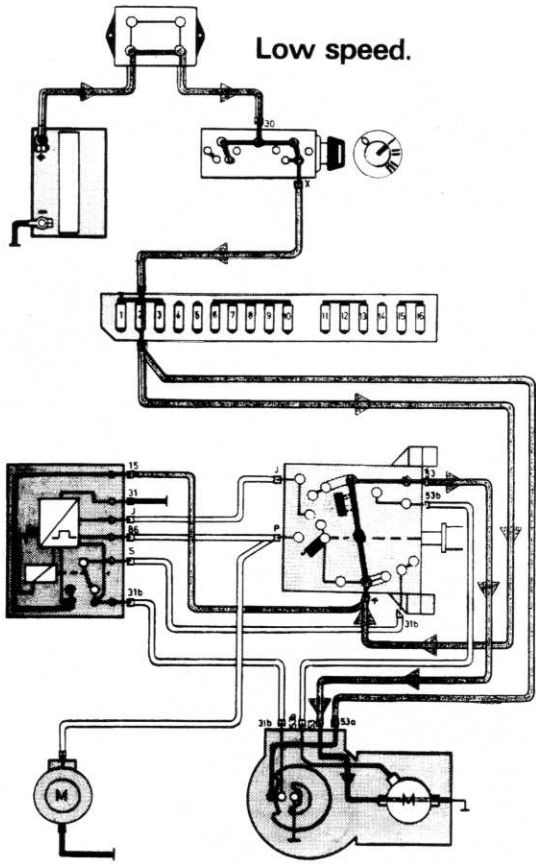
Windshield wiper and washer

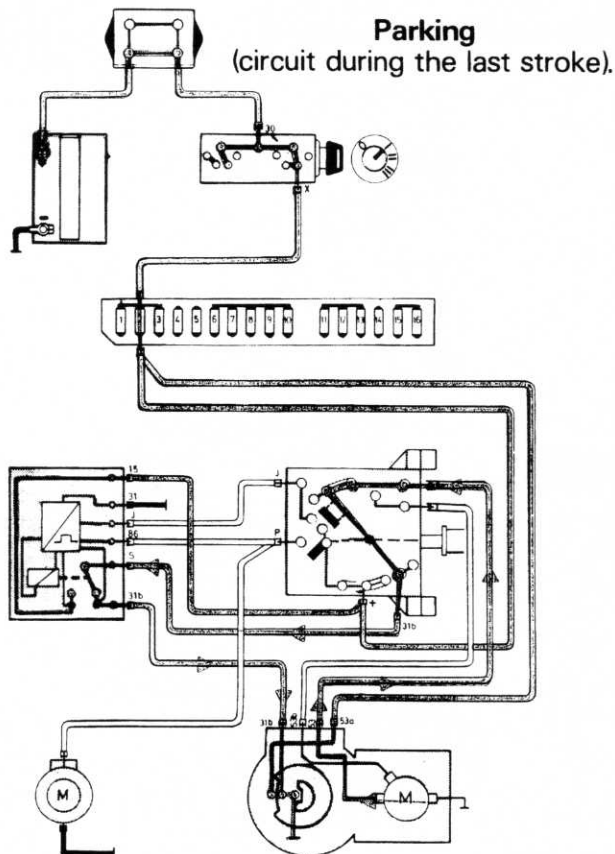
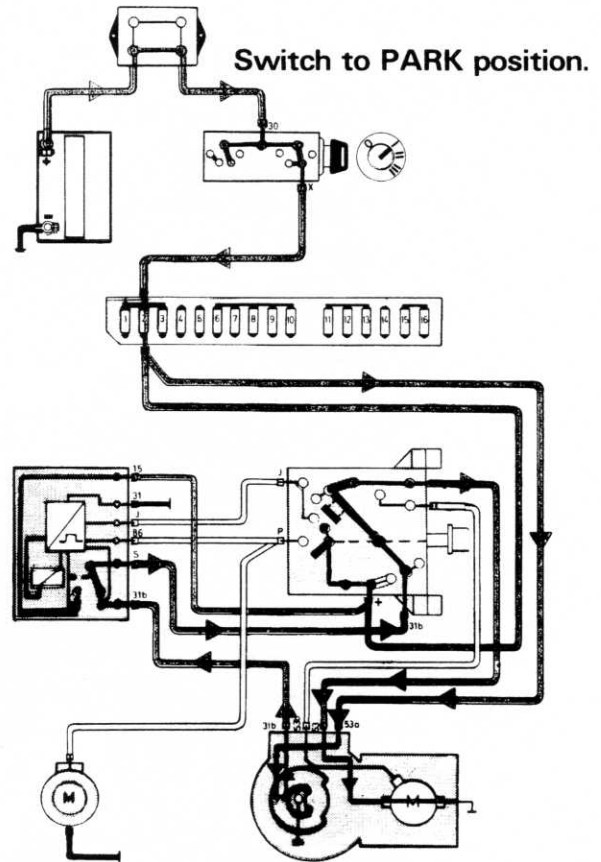
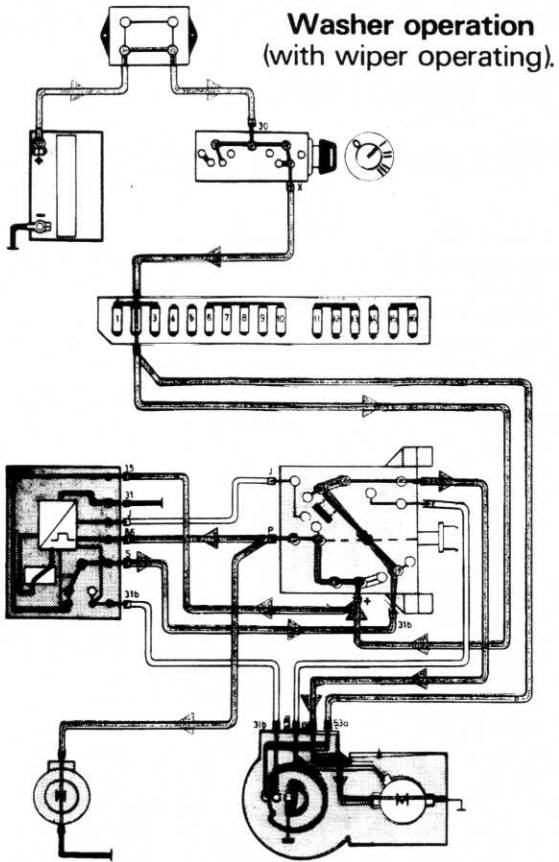


Fuse No. 2:
Windshield wiper and washer
Horn

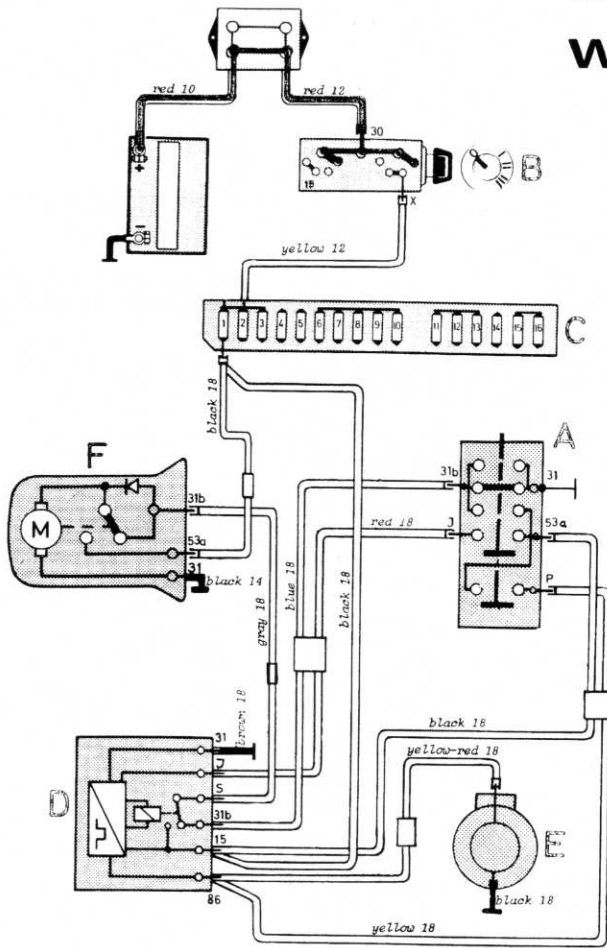
- Legend:**
- A Wiper motor
 - B Ignition switch
 - C Switch, wiper / washer
 - D Washer motor
 - E Interval relay
 - F Fuse box





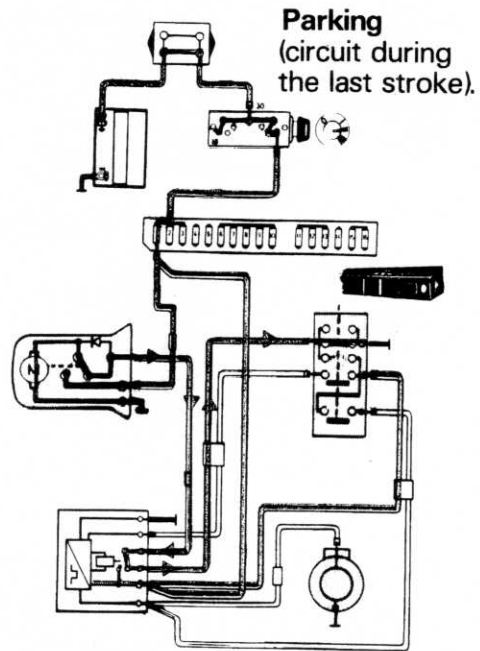


Tail gate window wiper and washer, with interval relay



Fuse No. 1:
Cigarette lighter
Tail gate window
wiper and washer
Electrically operated
side mirrors
Radio (and power
antenna)

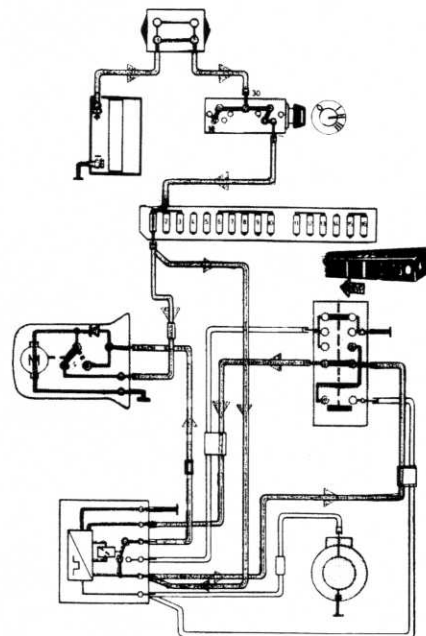
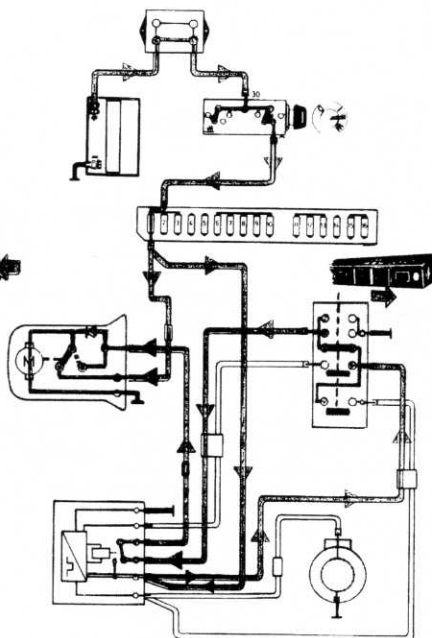
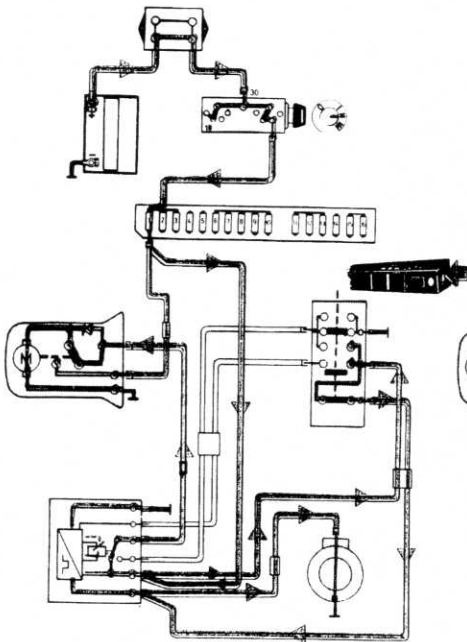
Legend:
A Switch, tail gate window
wiper / washer
B Ignition switch
C Fuse box
D Interval relay
E Washer motor
F Wiper motor

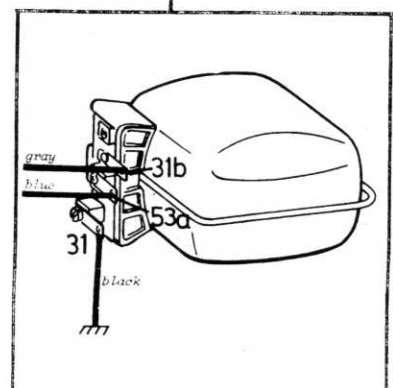
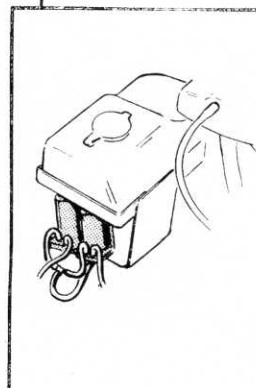
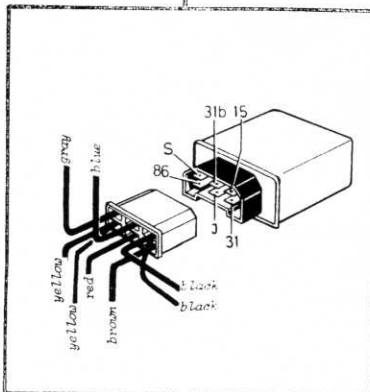
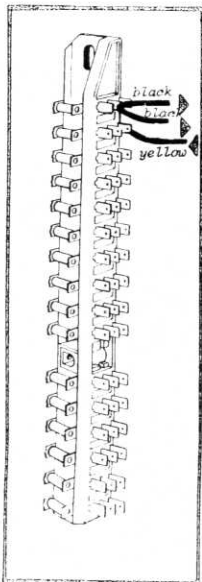
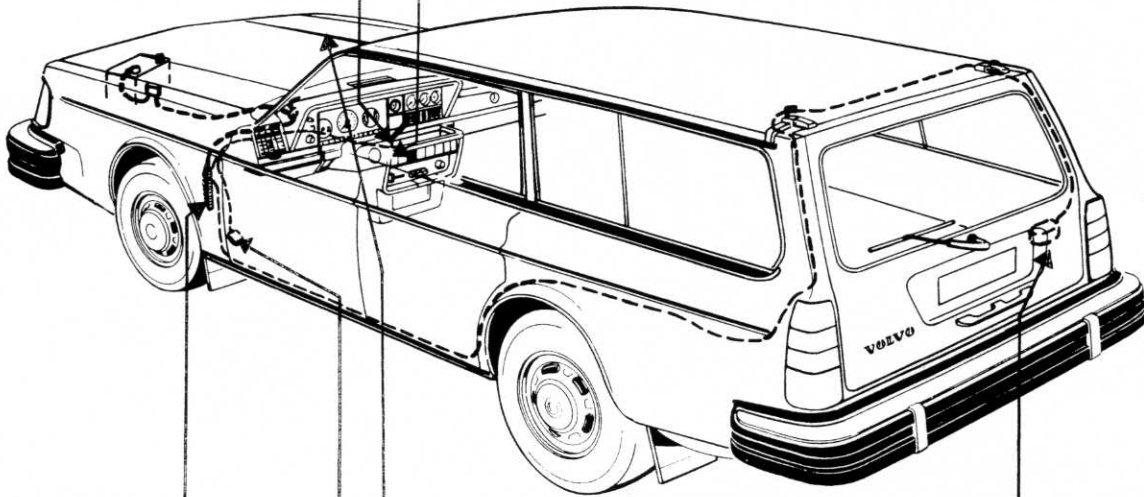
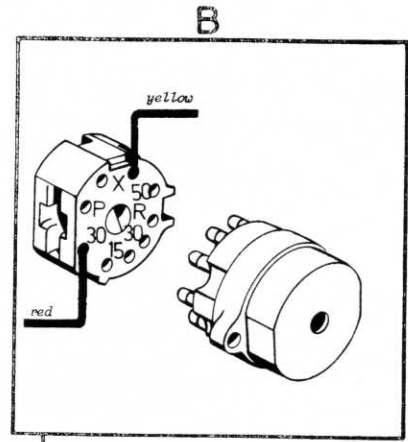
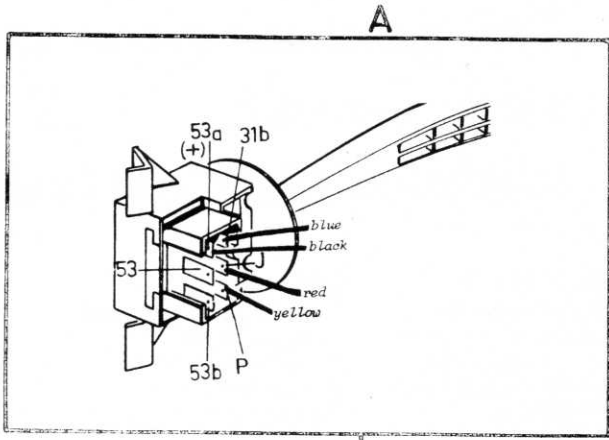


**Washer ON. Wiper motor
makes a few strokes.**

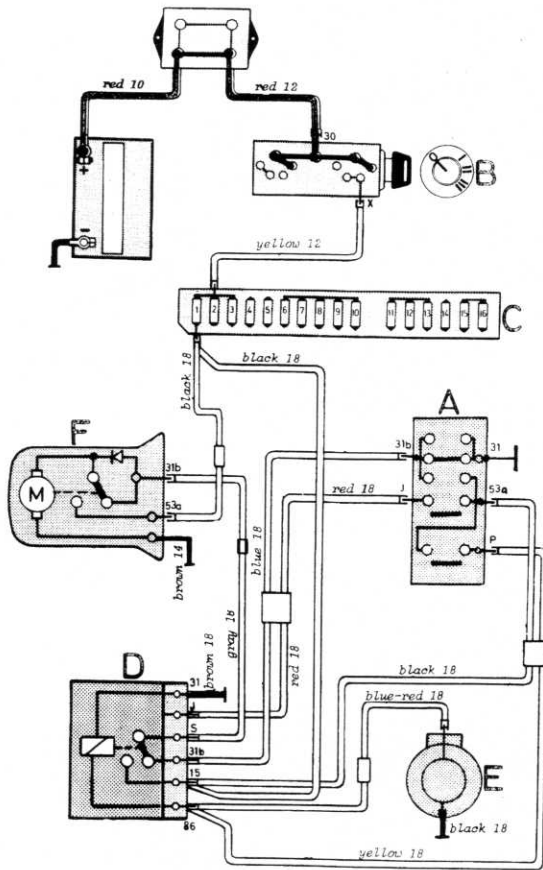
Wiper motor ON.

Intermittent wiper operation.



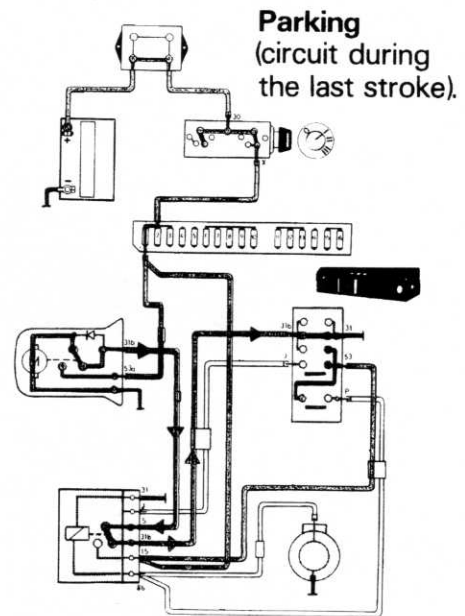


Tail gate window wiper and washer, without interval relay



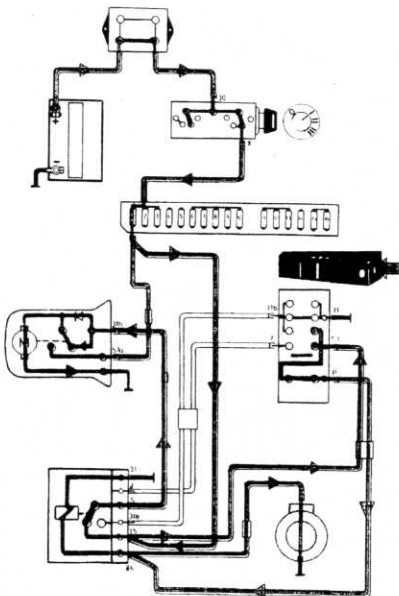
Fuse No. 1:
Cigarette lighter
Tail gate window
wiper and washer
Electrically operated
side mirrors
Radio (and power
antenna)

Legend:
A Switch, tail gate window
wiper/washer
B Ignition switch
C Fuse box
D Connector
E Washer motor
F Wiper motor

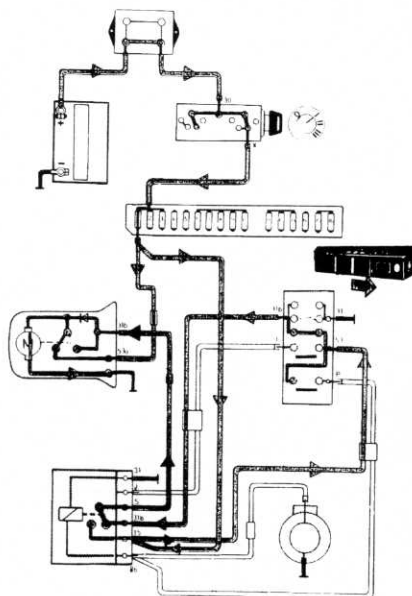


Parking
(circuit during
the last stroke).

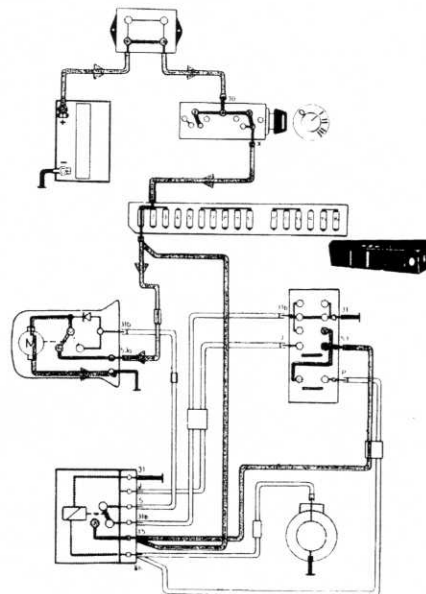
Washer operation
(with wiper operating).

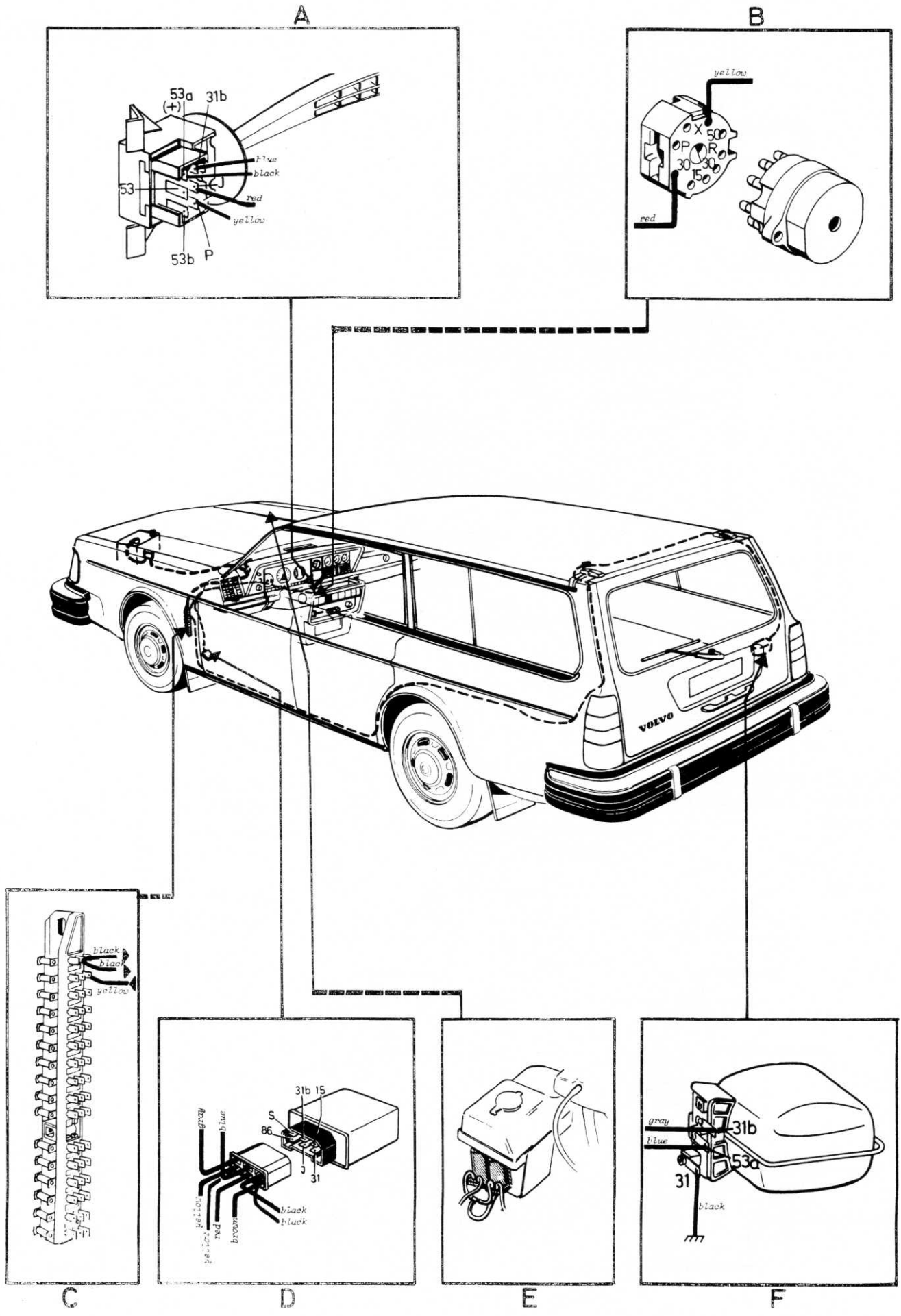


Wiper motor ON.

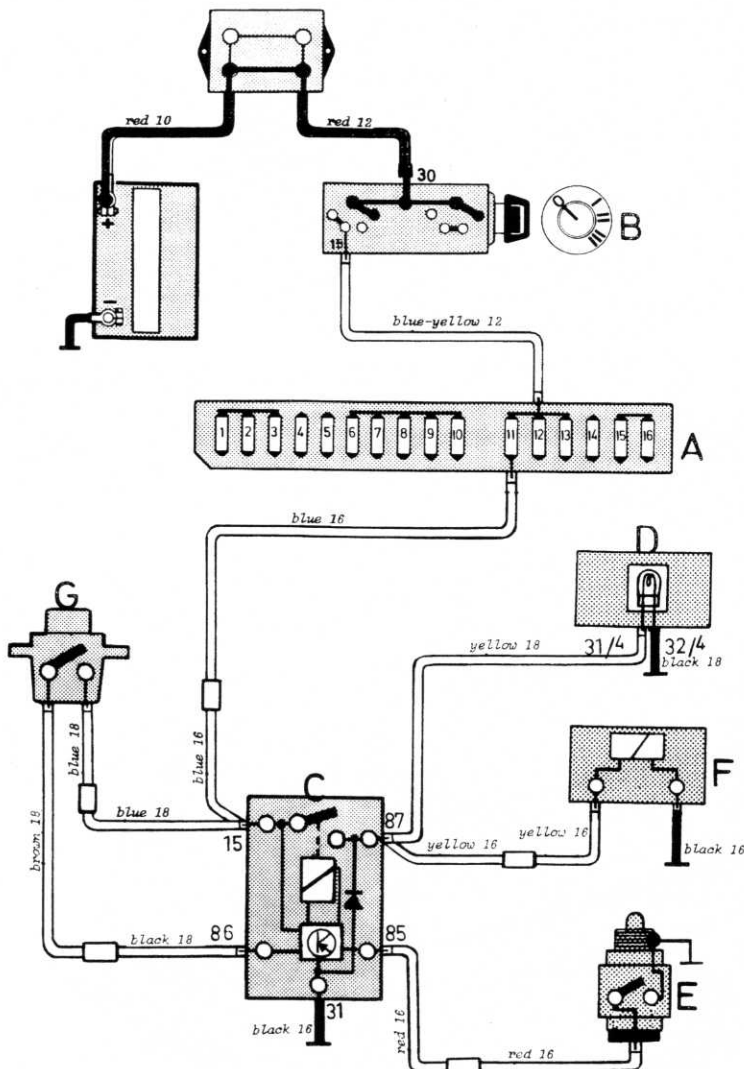


Switch to PARK position.





Overdrive



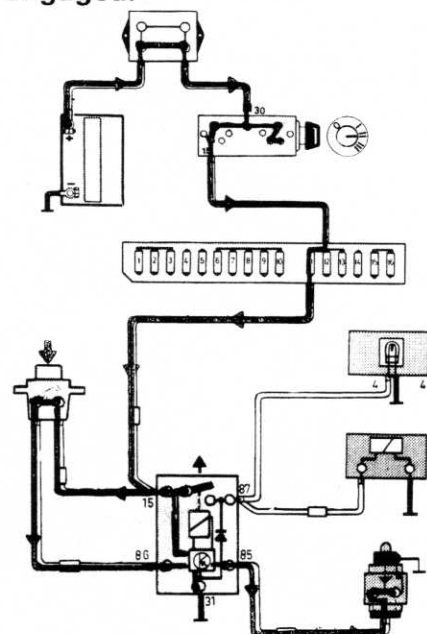
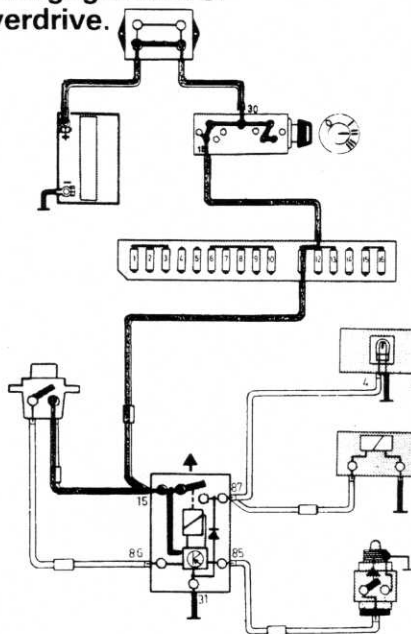
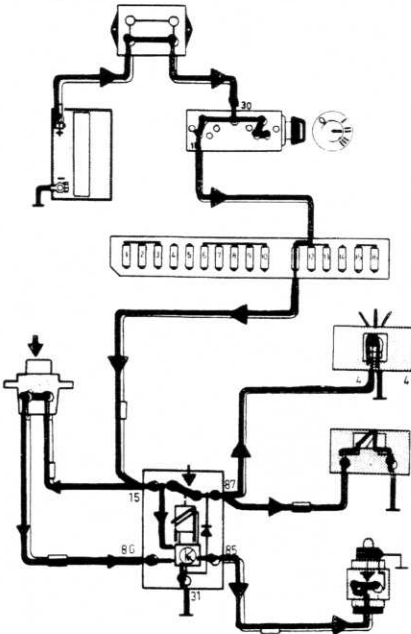
Fuse No. 11:
Overdrive
Rear demist

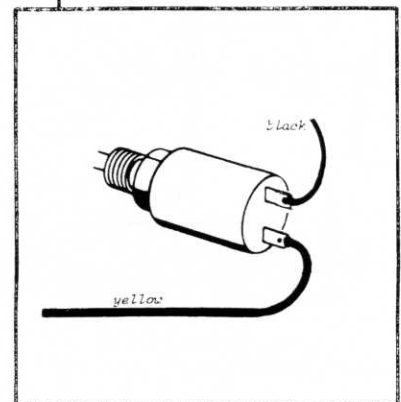
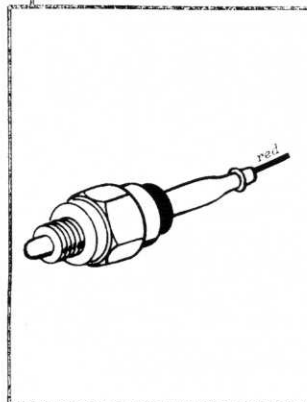
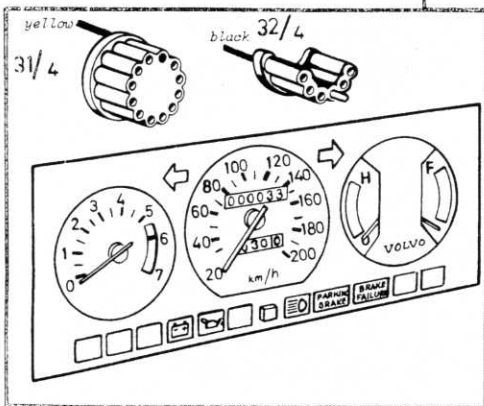
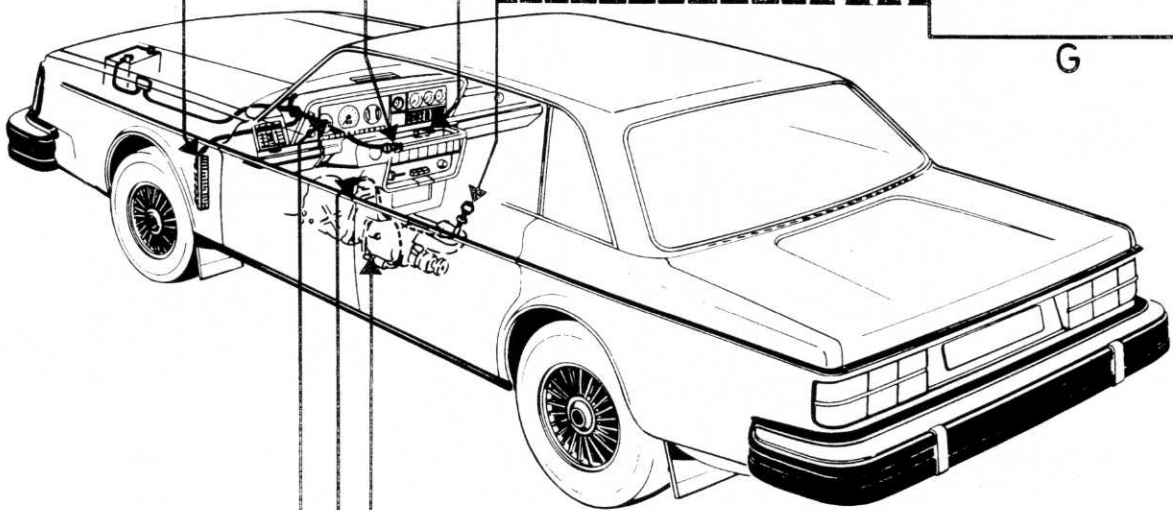
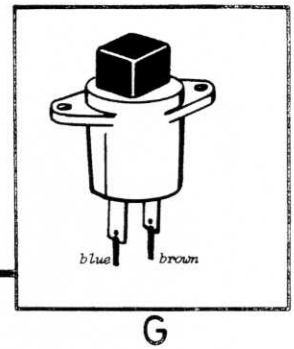
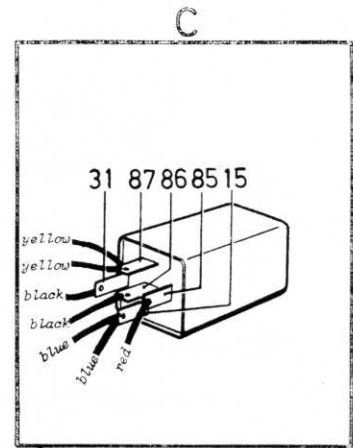
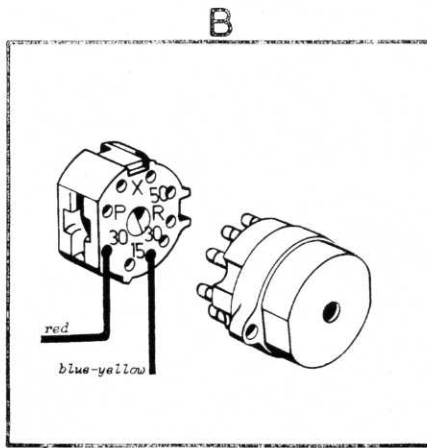
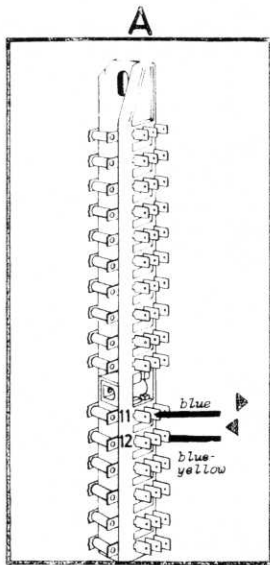
- Legend:**
A Fuse box
B Ignition switch
C Overdrive relay
D Indicator light in instrument cluster
E Switch, on transmission
F Solenoid (in overdrive)
G Overdrive engagement switch (on gear lever)

Manual engagement of overdrive. Fourth gear engaged.

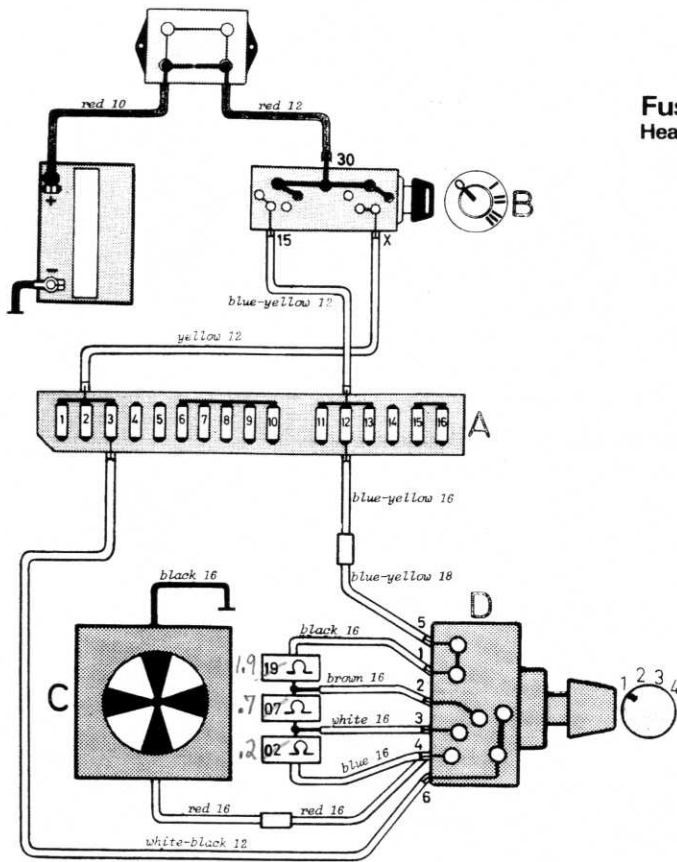
Downshift from fourth gear. Automatic disengagement of overdrive.

Manual disengagement of overdrive. Fourth gear engaged.





Heater blower

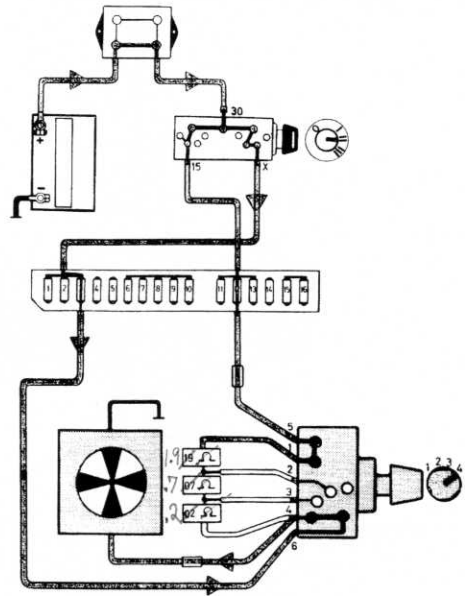


Fuse No. 3:
Heater blower

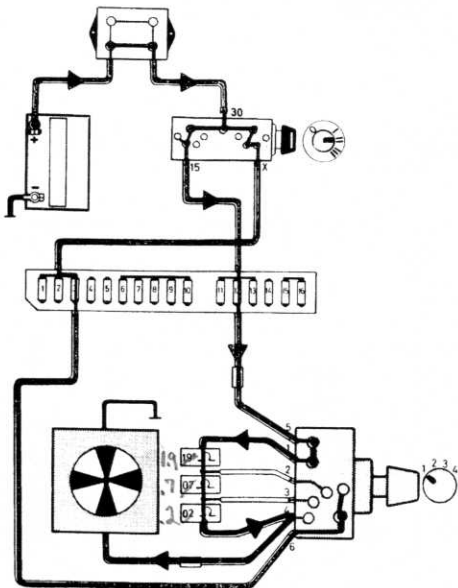
Fuse No. 12:
Back-up lights
Relay, window lifts
Seat heater
Air conditioning

Legend:
A Fuse box
B Ignition switch
C Blower motor
D Switch

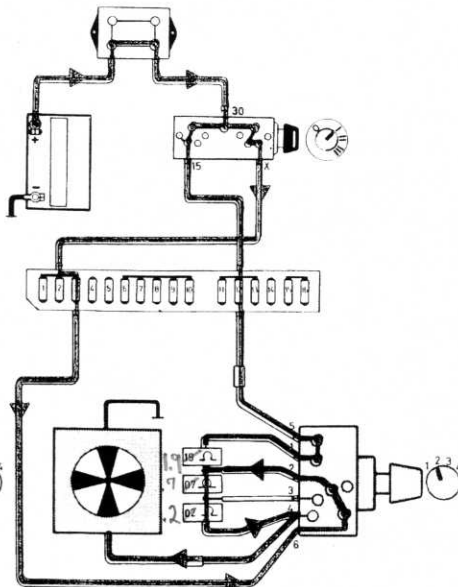
4. Highest speed



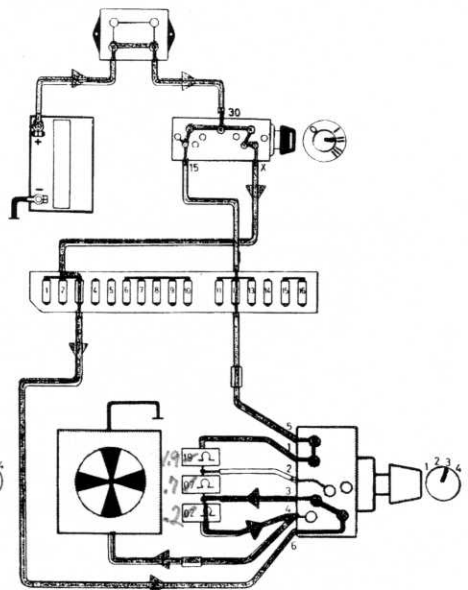
1. Low speed



2. Medium speed

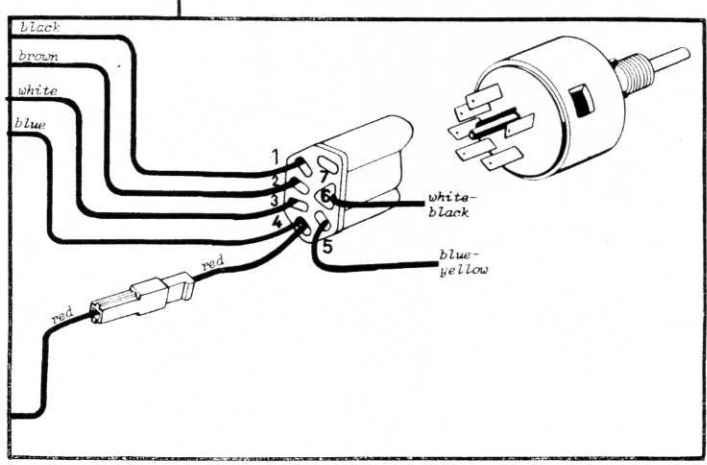
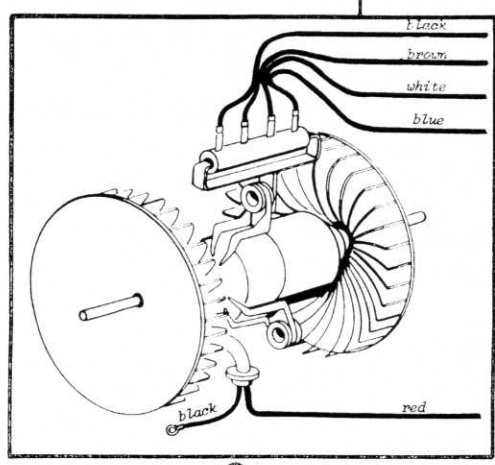
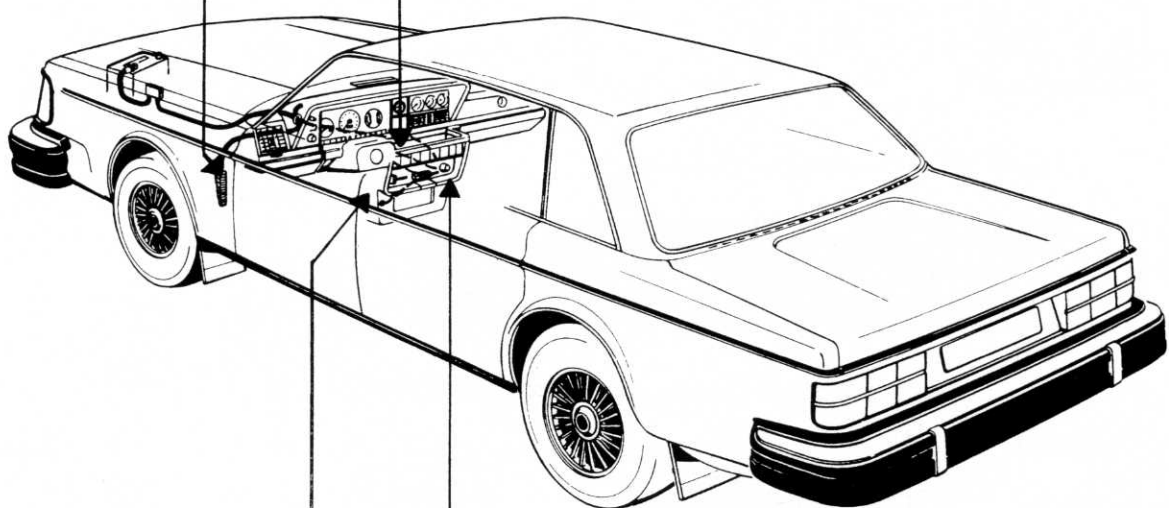
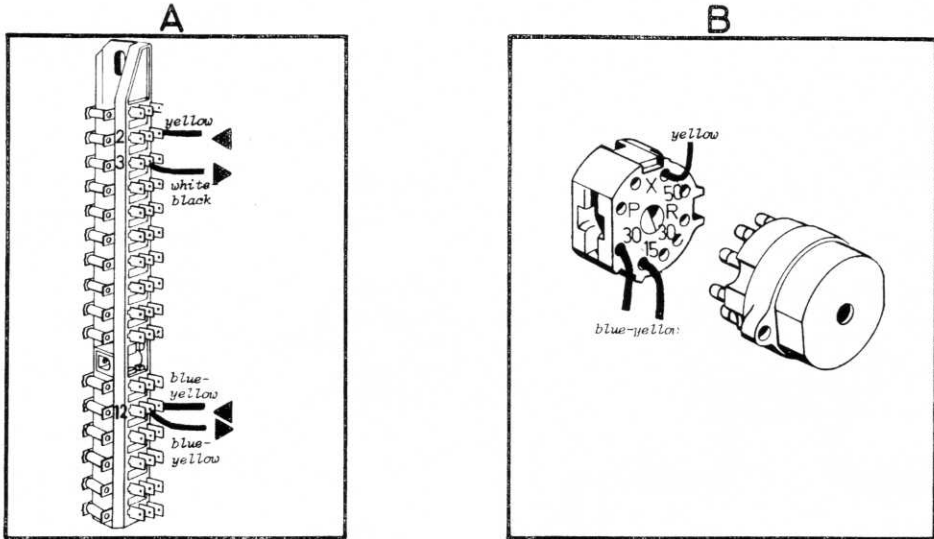


3. High speed



Resistor "D" ohms corrected

19 7 2 ohms update

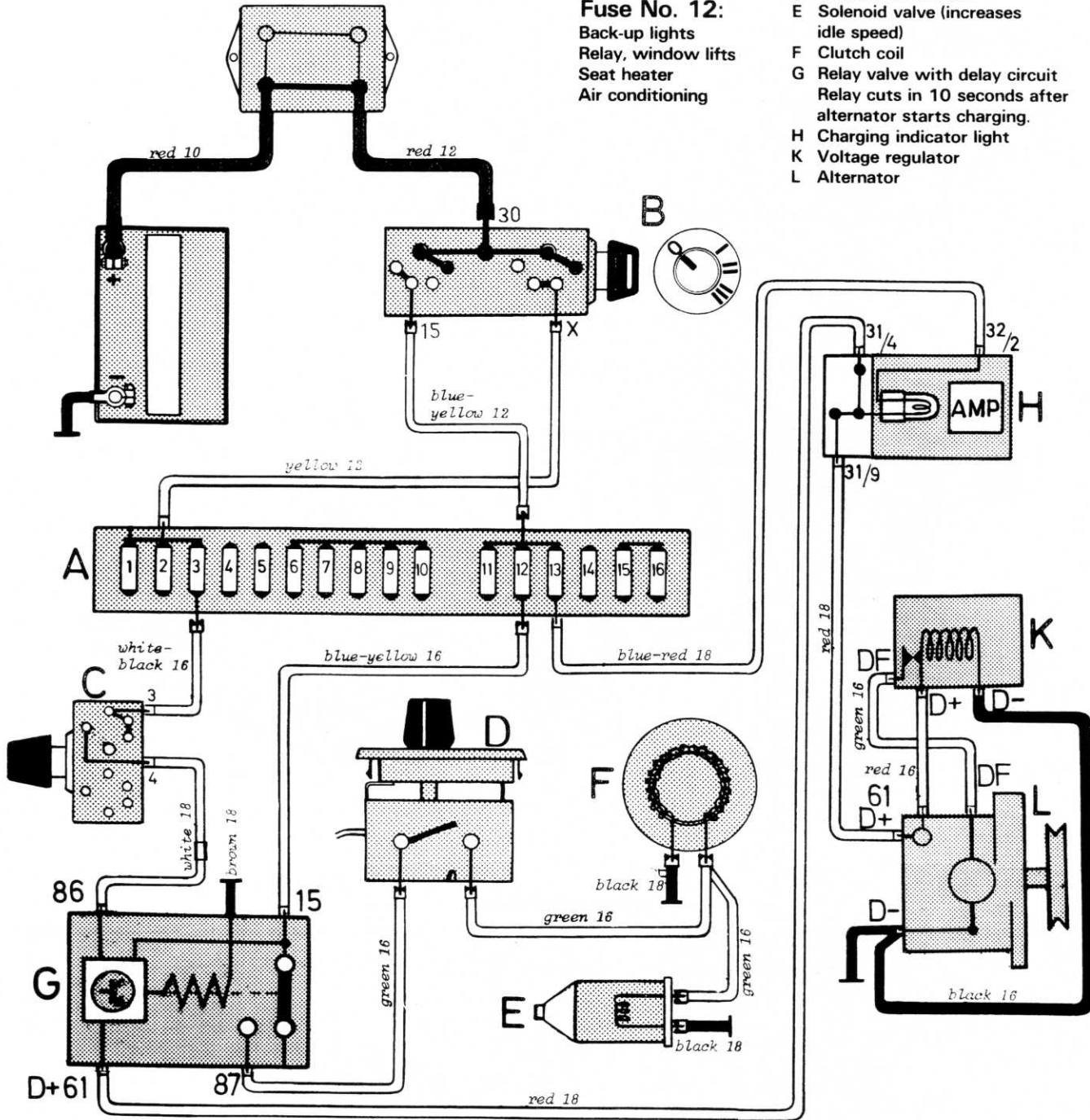


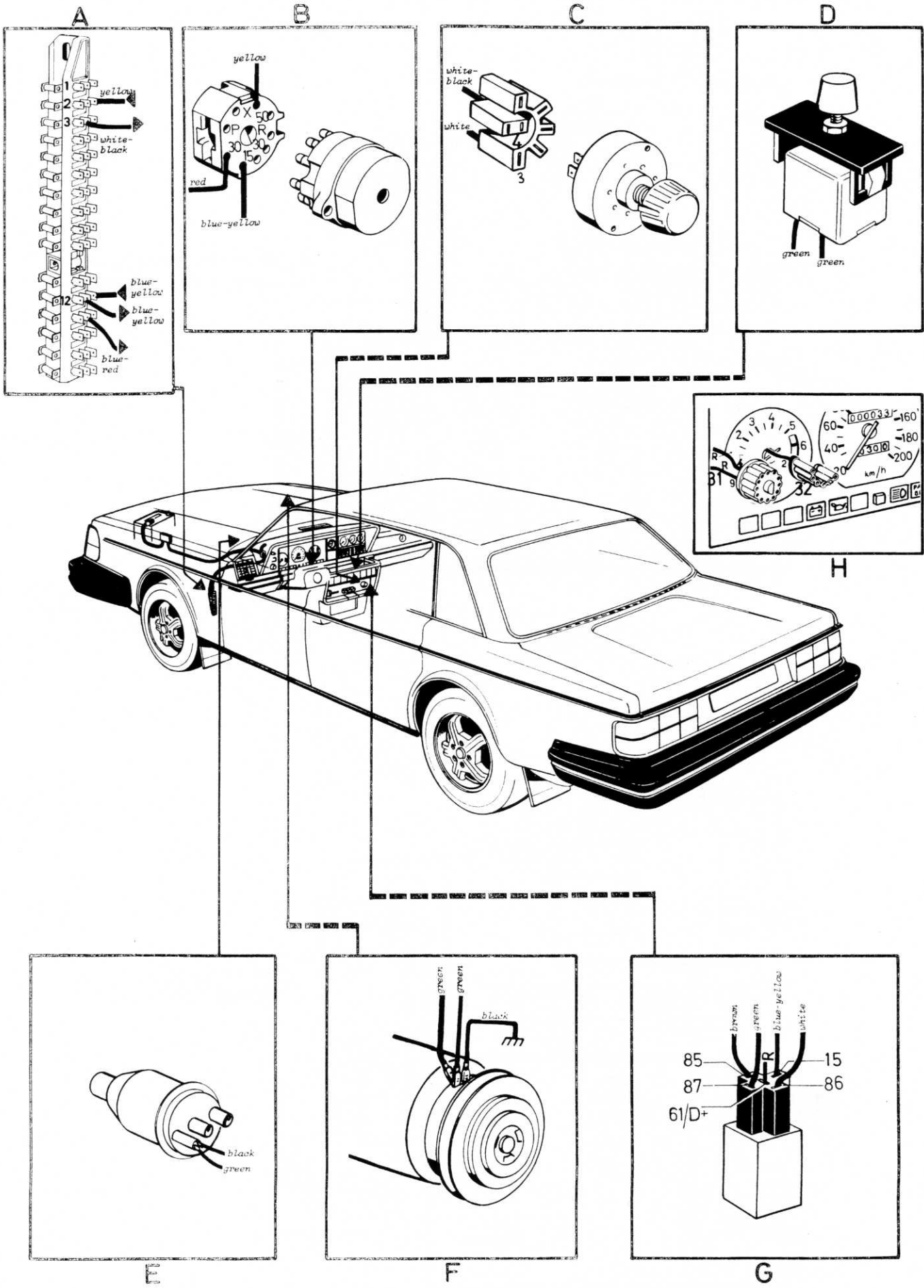
Air conditioning

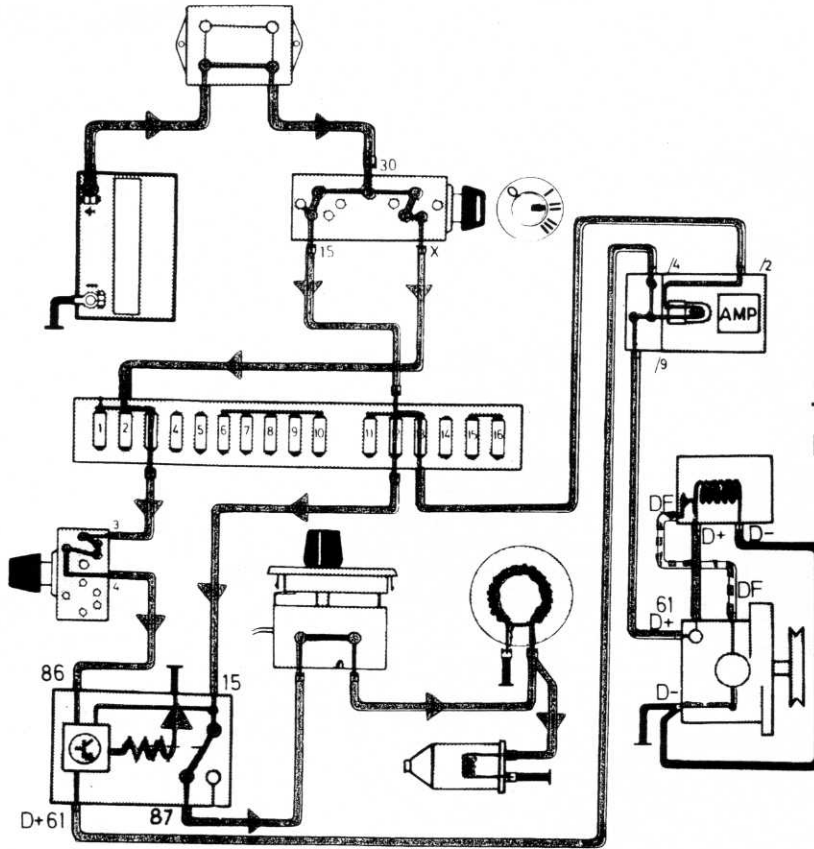
Fuse No. 3:
Heater blower

Fuse No. 12:
Back-up lights
Relay, window lifts
Seat heater
Air conditioning

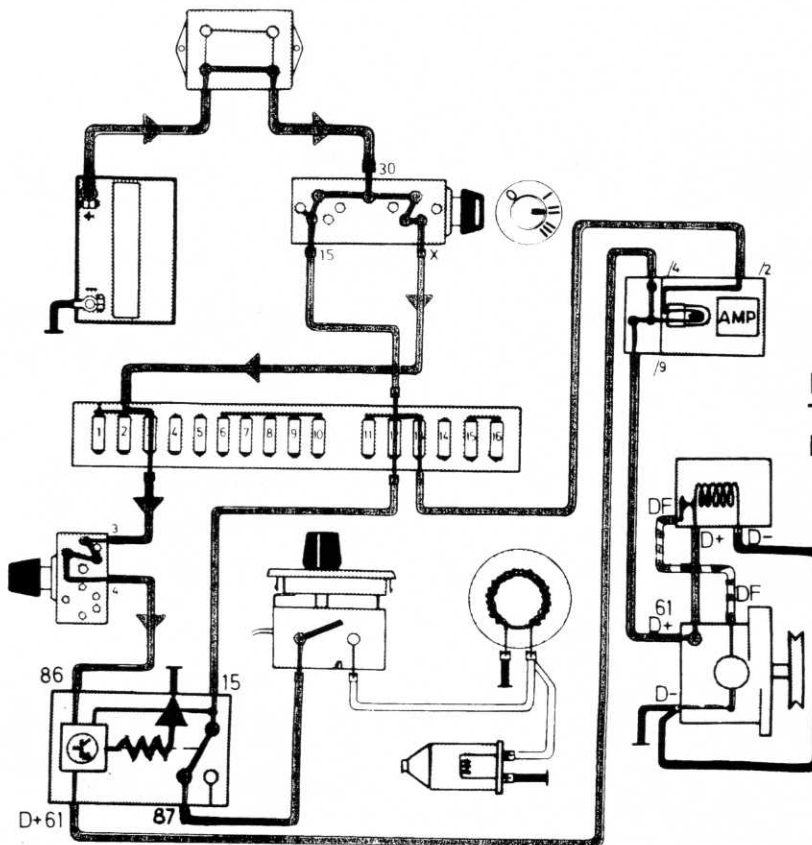
- A Fuse box
- B Ignition switch
- C Blower switch
- D Thermostat switch
- E Solenoid valve (increases idle speed)
- F Clutch coil
- G Relay valve with delay circuit
Relay cuts in 10 seconds after alternator starts charging.
- H Charging indicator light
- K Voltage regulator
- L Alternator





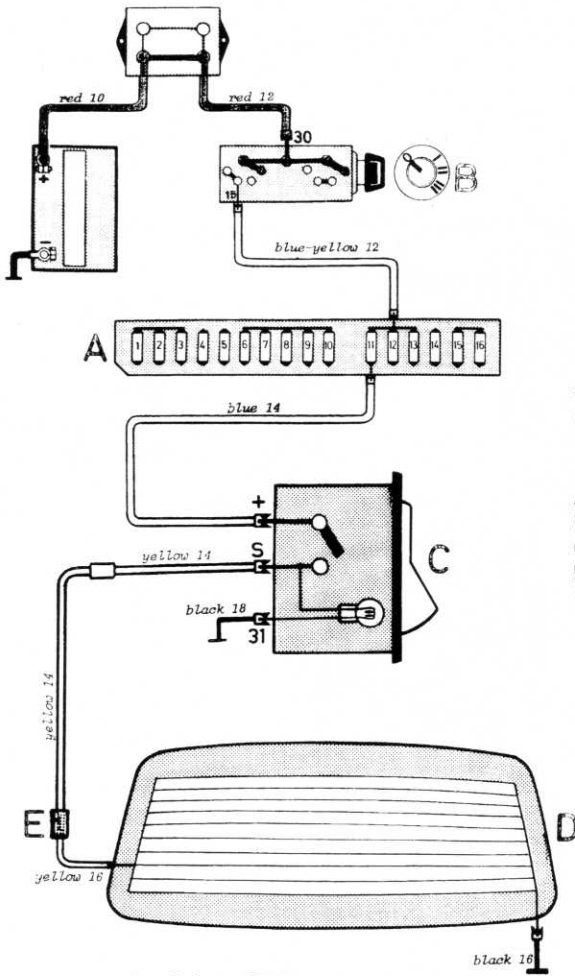


Engine running.
Thermostat switch ON.
Blower switch ON.



Engine running.
Thermostat switch OFF.
Blower switch ON.

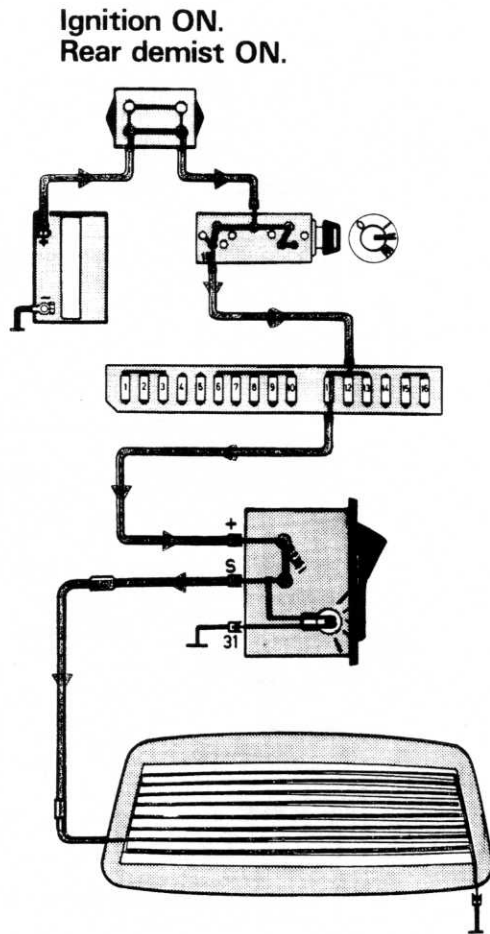
Rear demist



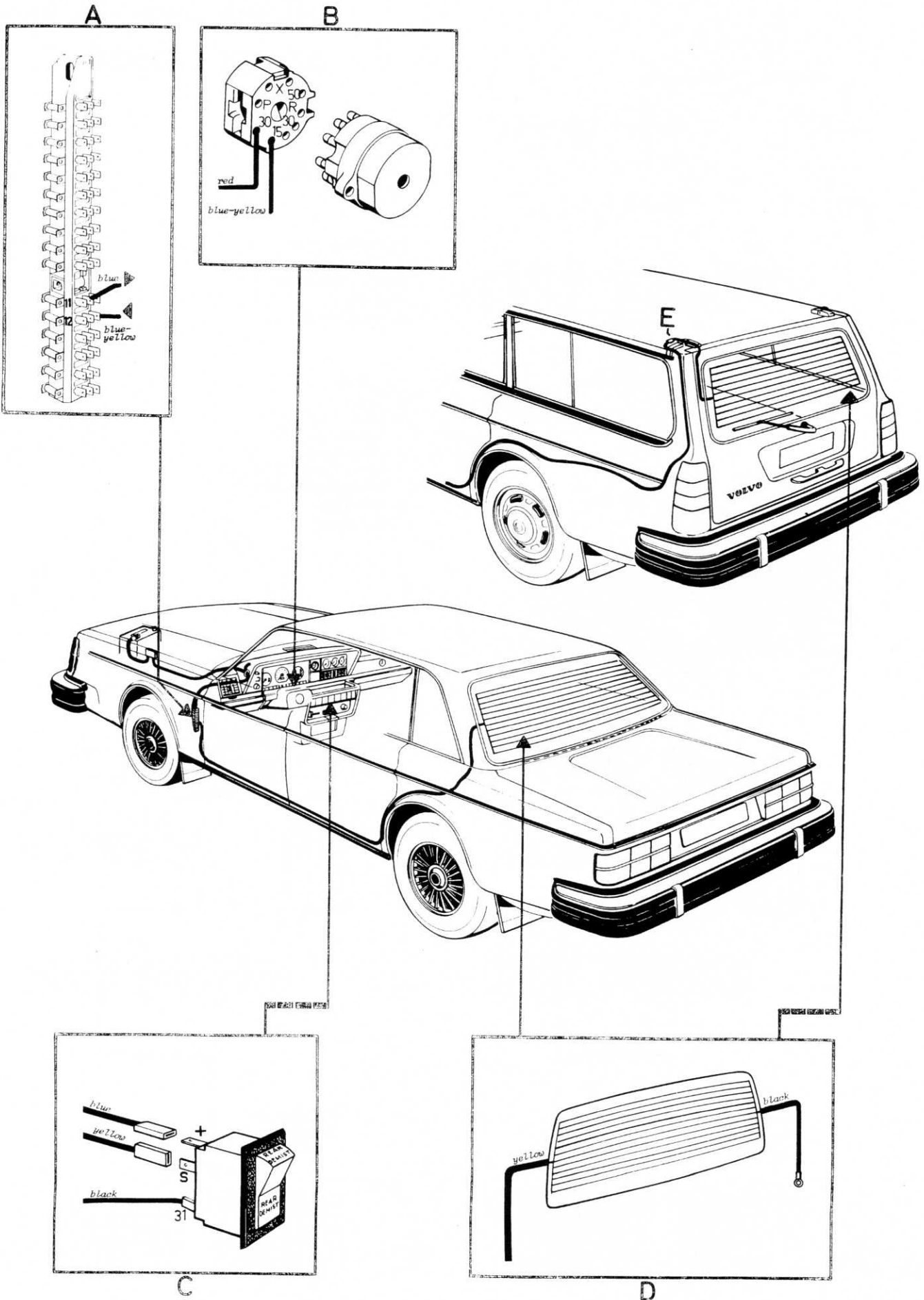
**Ignition ON.
Rear demist OFF.**

Fuse No. 11:
Overdrive
Rear demist

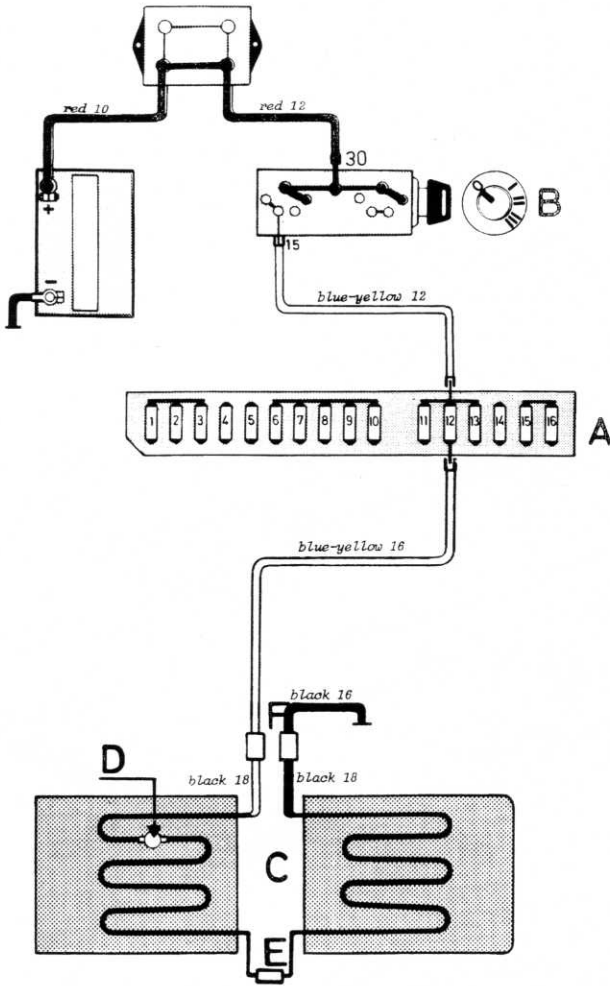
- Legend:**
- A Fuse box
 - B Ignition switch
 - C Switch, rear demist
 - D Electrically heated rear window
 - E Connector (wagon)



**Ignition ON.
Rear demist ON.**



Electrically heated driver's seat

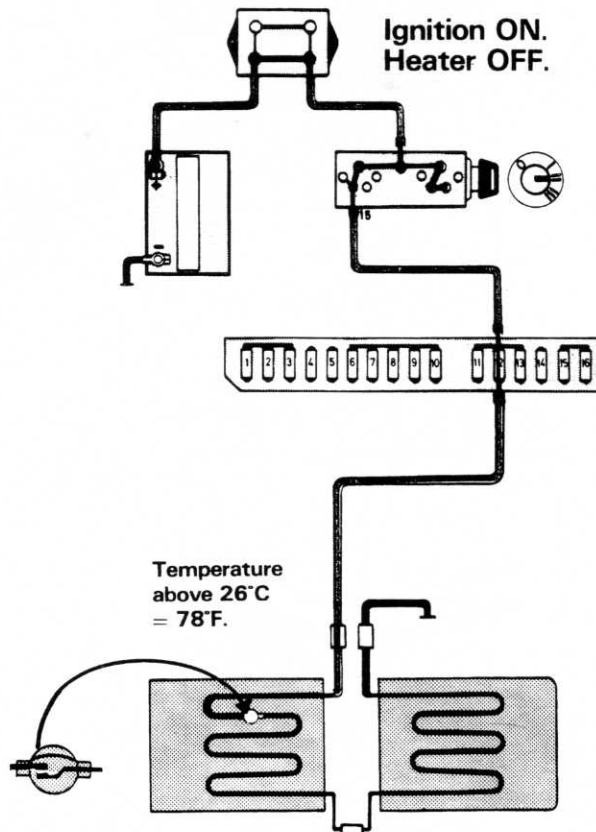
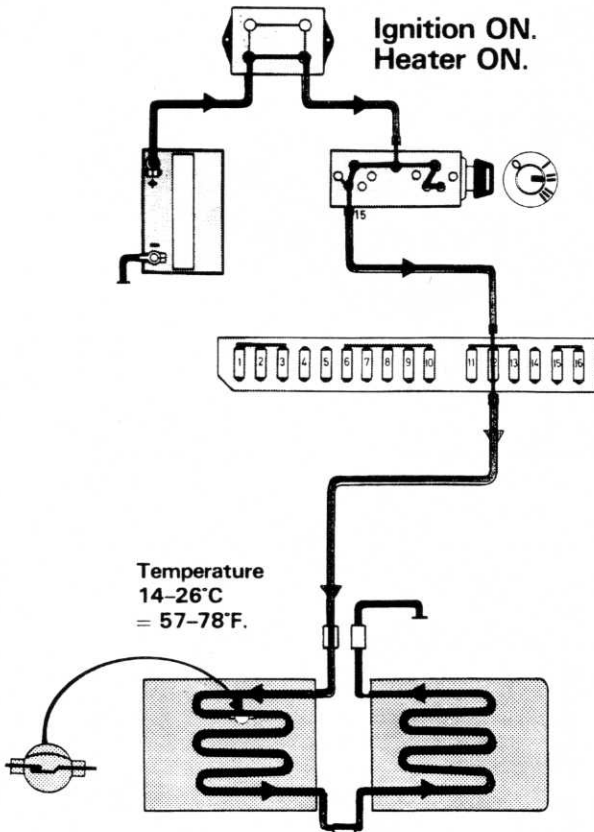


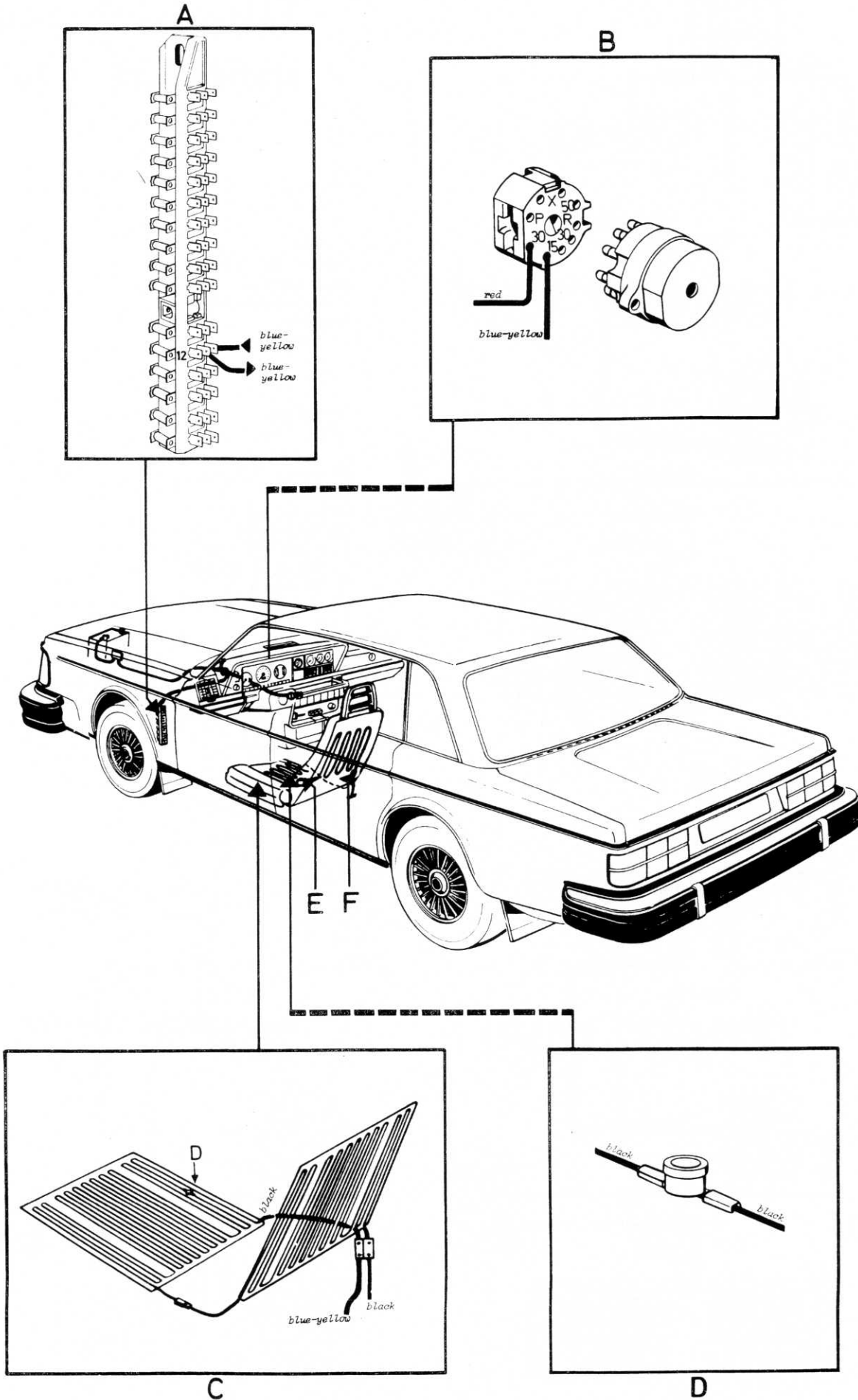
Fuse No. 10:
Window lifts

Fuse No. 12:
Back-up lights
Relay, window lifts
Seat heater
Air conditioning

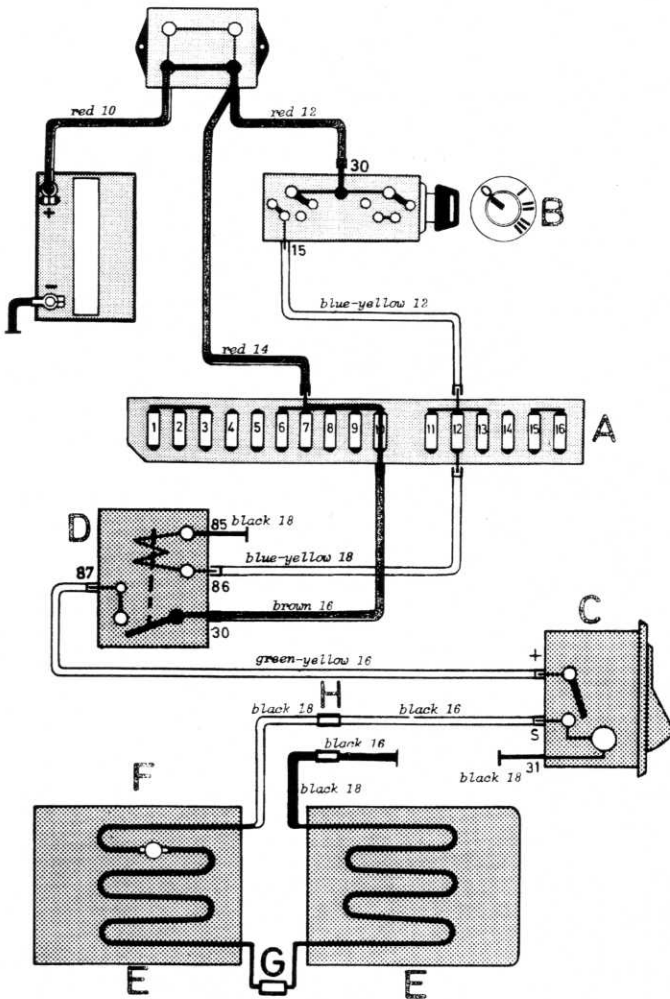
Legend:

- A Fuse box
- B Ignition switch
- C Heater pad
- D Thermostat
- ON at 14°C = 57°F
- OFF at 26°C = 78°F
- E Connector
- F Connector





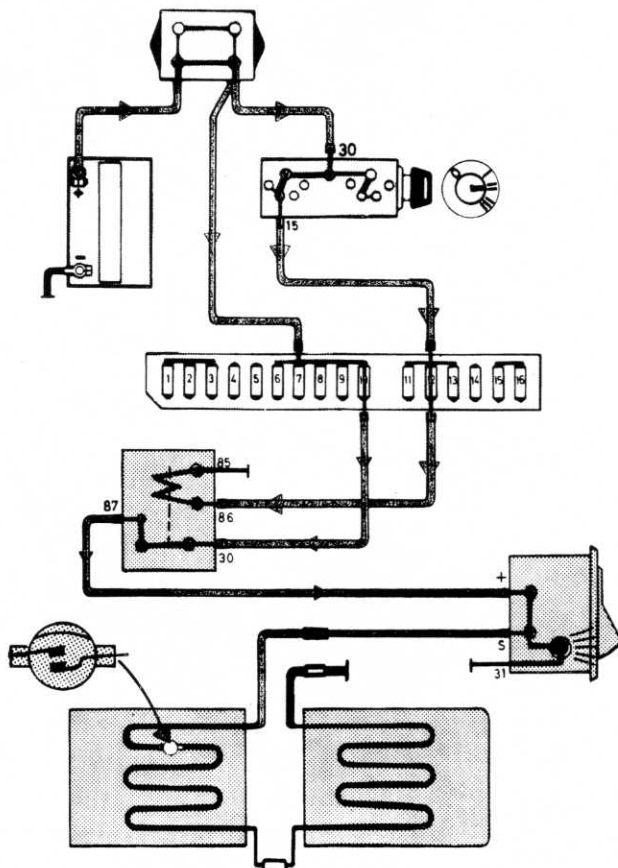
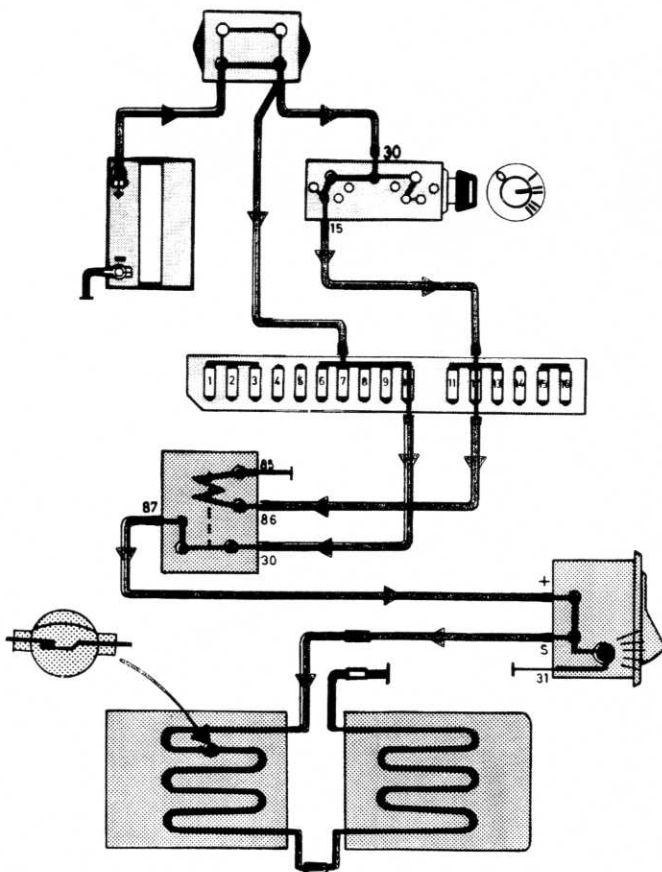
Electrically heated passenger's seat

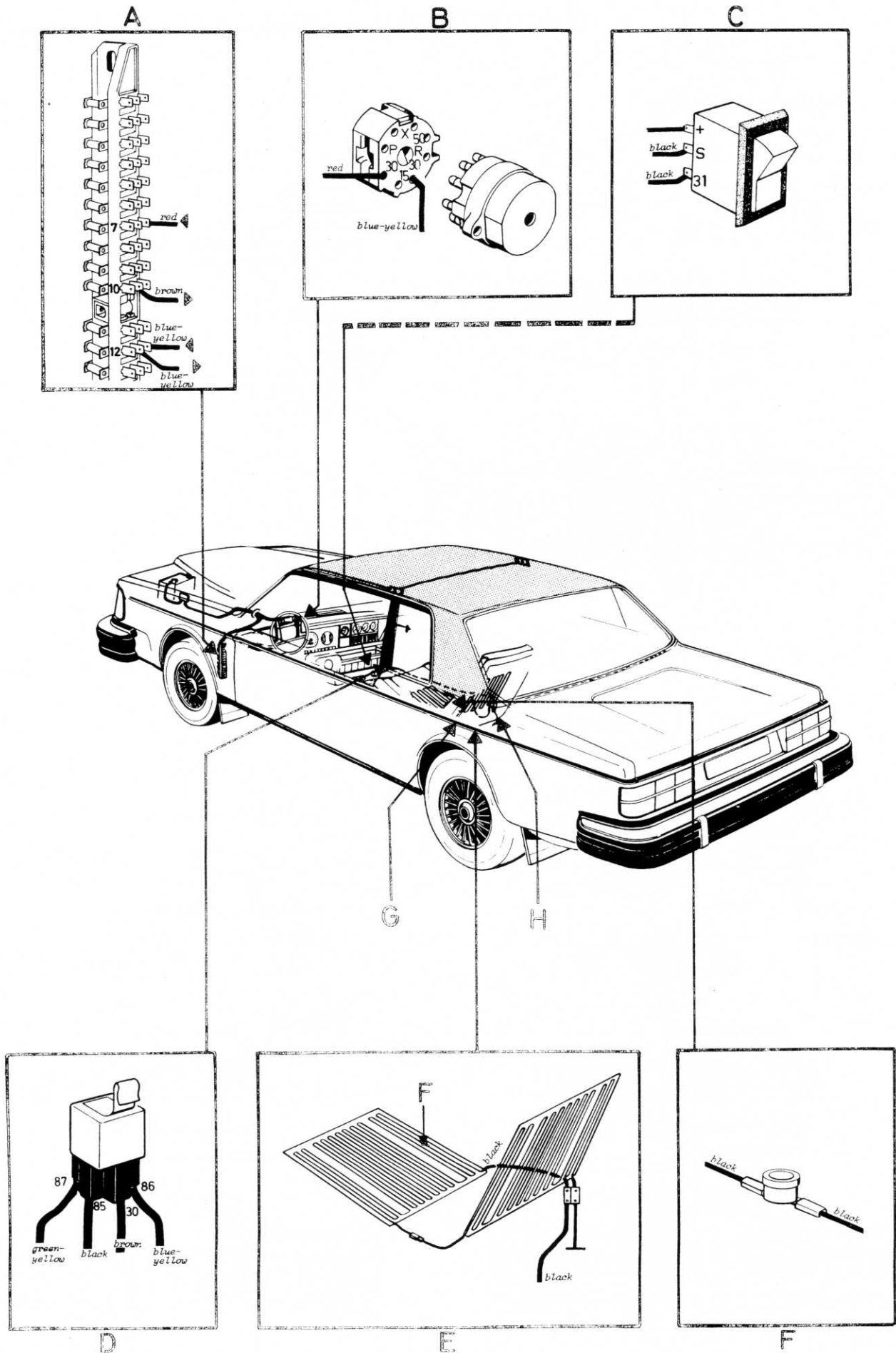


Fuse No. 10:
Window lifts

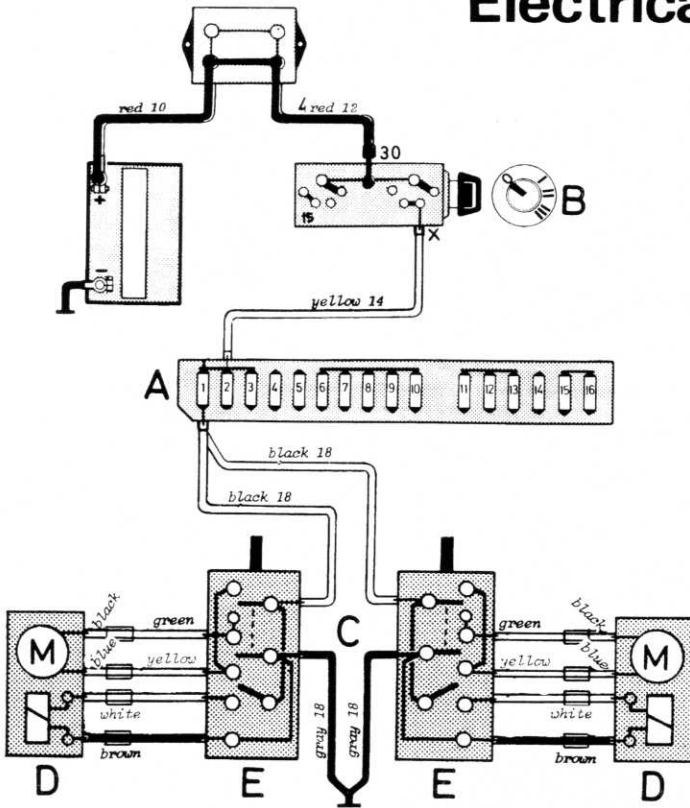
Fuse No. 12:
Back-up lights
Relay, window lifts
Seat heater
Air conditioning

- Legend:**
- A Fuse box
 - B Ignition switch
 - C Switch, seat heater
 - D Relay
 - E Heater pad
 - F Thermostat
 - ON at 14°C = 57°F
 - OFF at 26°C = 78°F
 - G Connector
 - H Connector





Electrically operated side mirrors



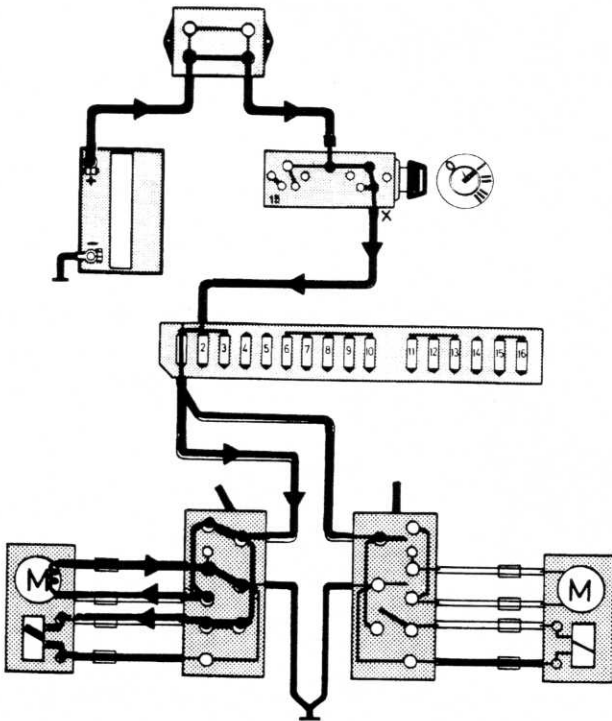
Fuse No. 1:

- Cigarette lighter
- Tail gate window wiper and washer
- Electrically operated side mirrors
- Radio (and power antenna)

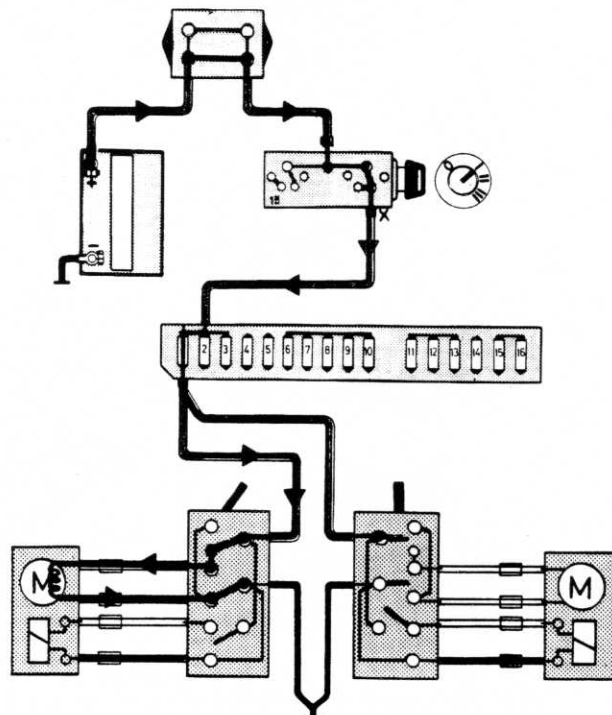
Legend:

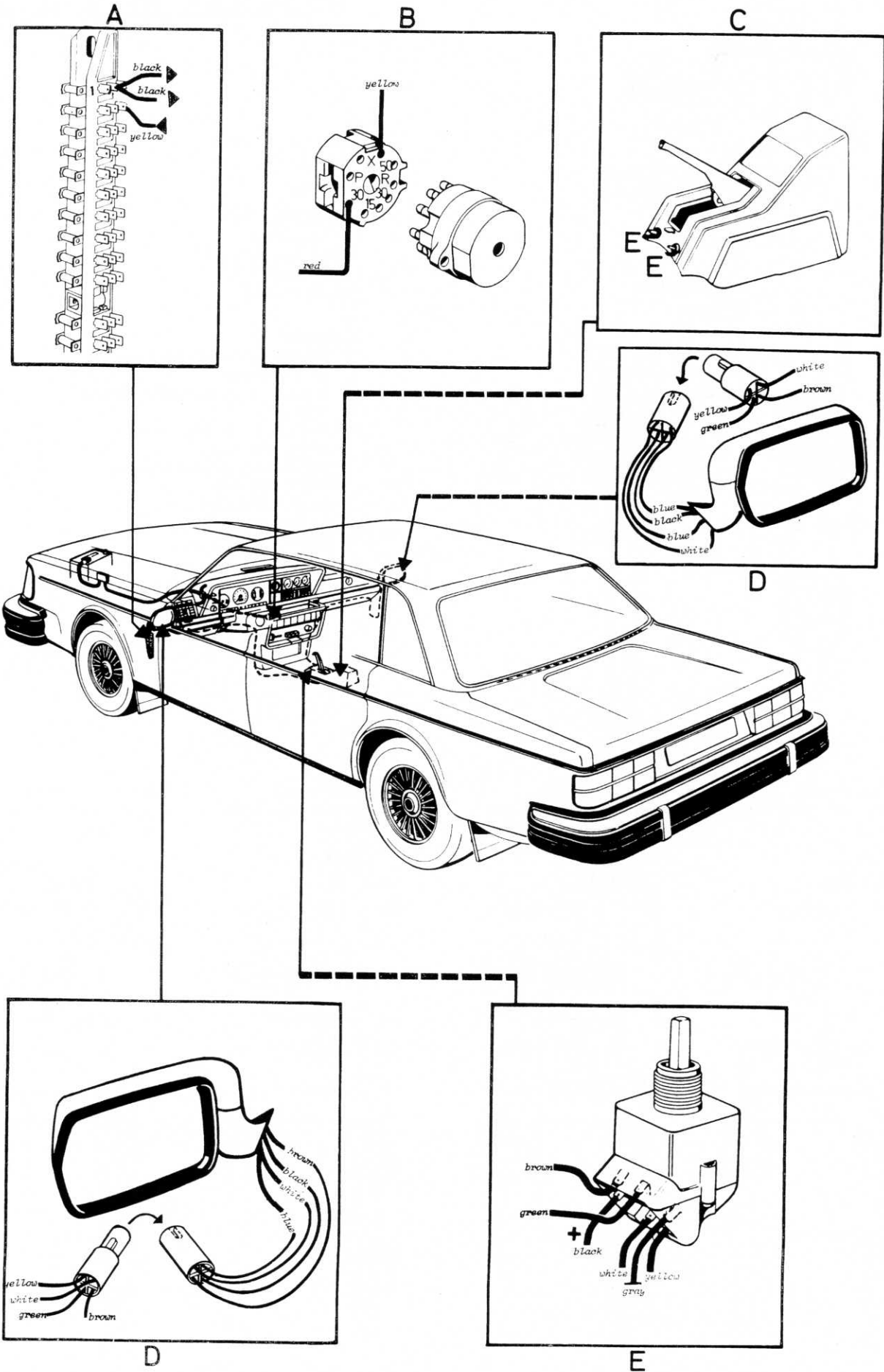
- A Fuse box
- B Ignition switch
- C Cover, parking brake
- D Electrically operated mirrors
- E Switches

Operation one way.

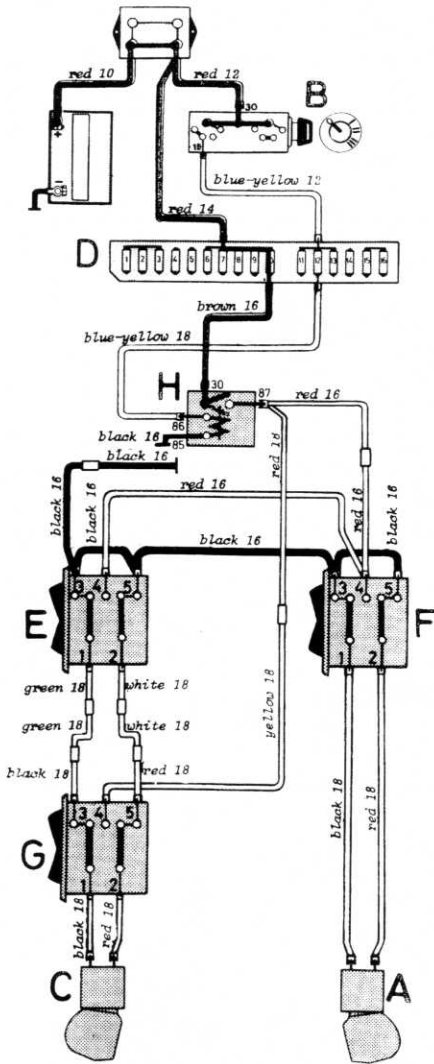


Operation other way.





Window lifts, 2-door



Fuse No. 10:
Window lifts

Fuse No. 12:
Back-up lights
Relay, window lifts
Seat heater
Air conditioning

Legend:

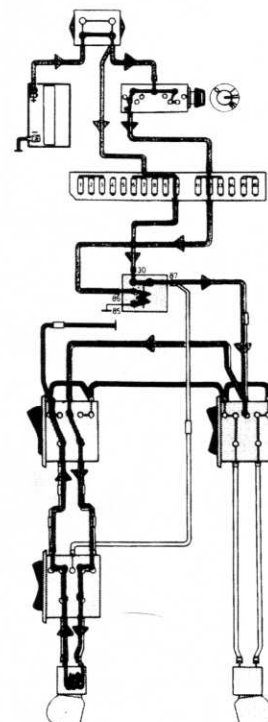
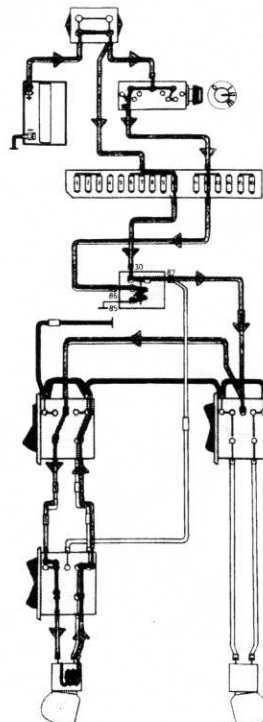
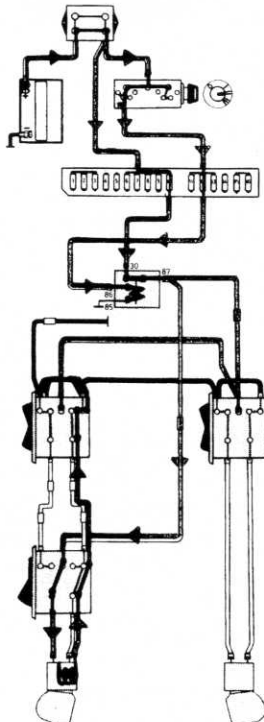
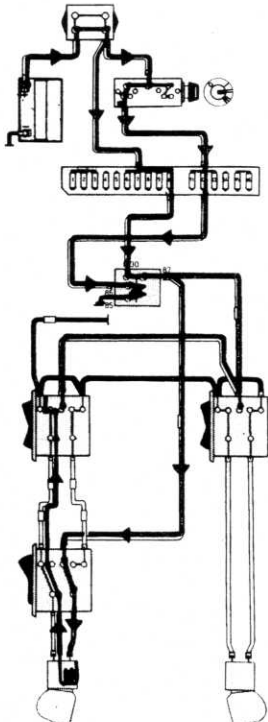
- A Window lift motor, left side door
- B Ignition switch
- C Window lift motor, right side door
- D Fuse box
- E Switch for left side window, on left side door
- F Switch for right side window, on left side door
- G Switch for right side window, on right side door
- H Relay

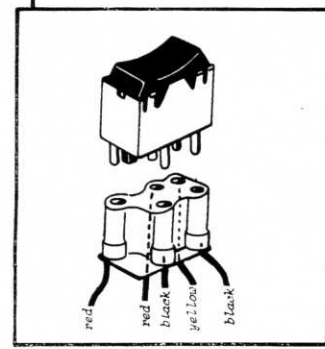
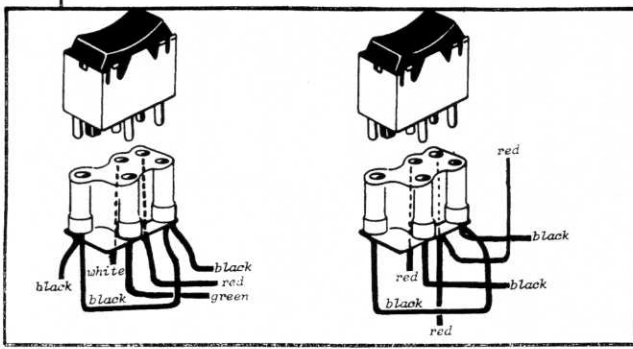
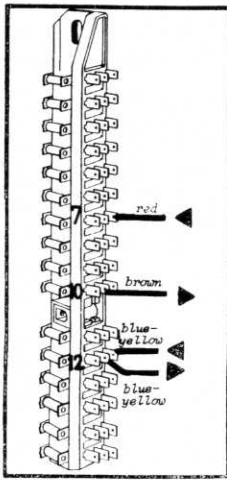
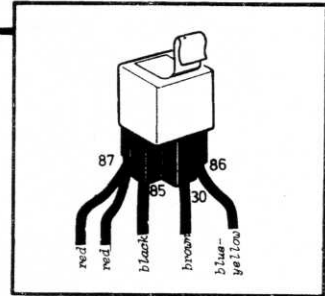
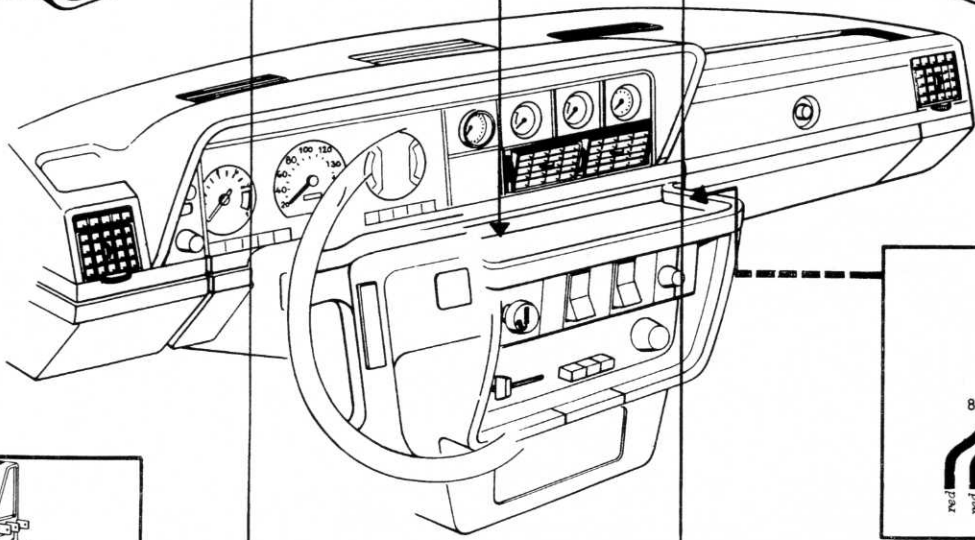
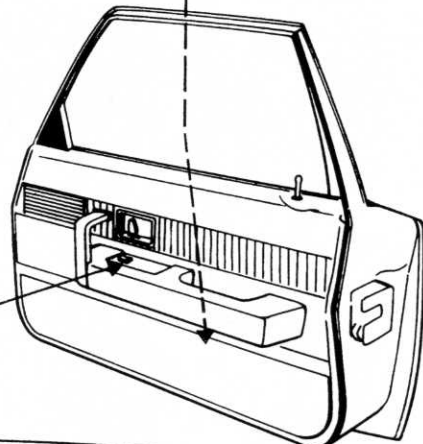
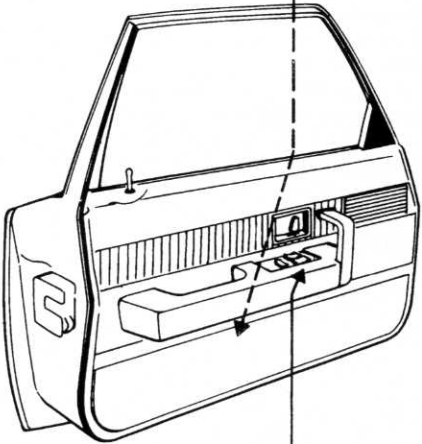
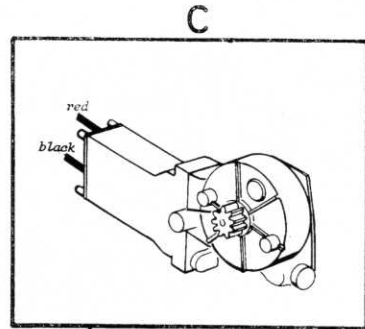
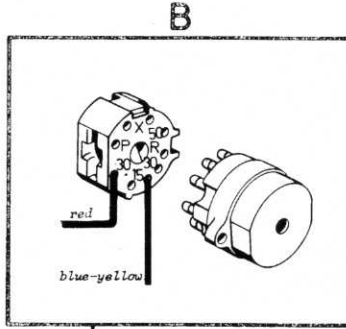
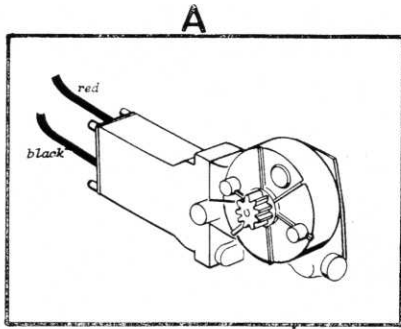
Closing right side window with switch on right side door

Opening right side window with switch on right side door

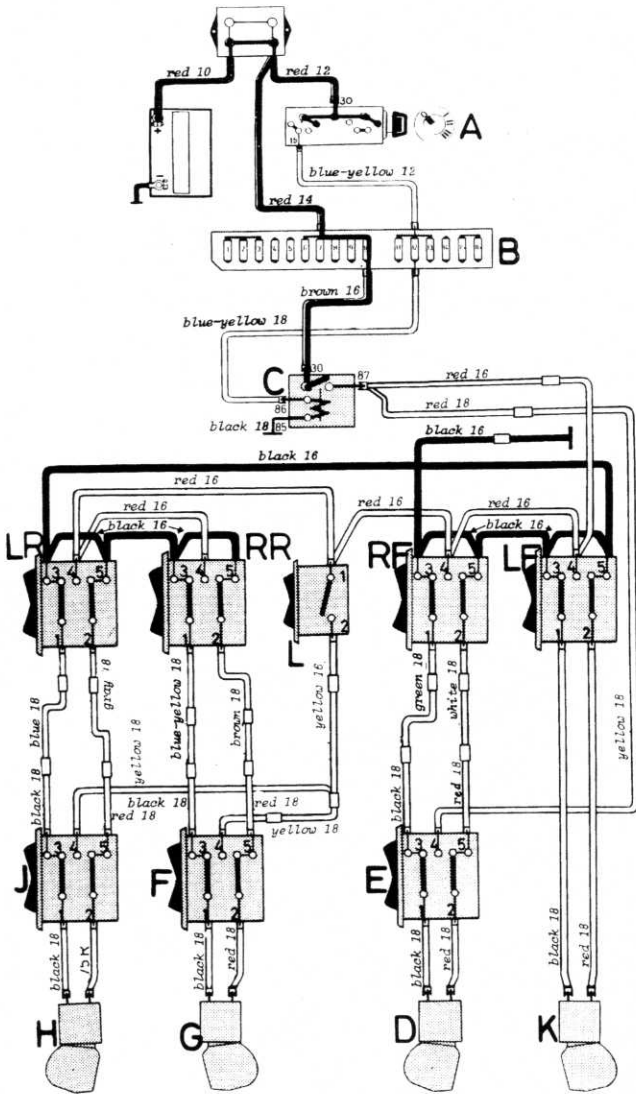
Opening right side window with switch on left side door

Closing right side window with switch on left side door





Window lifts, 4-door



Fuse No. 10:
Window lifts

Fuse No. 12:
Back-up lights
Relay, window lifts
Seat heater
Air conditioning

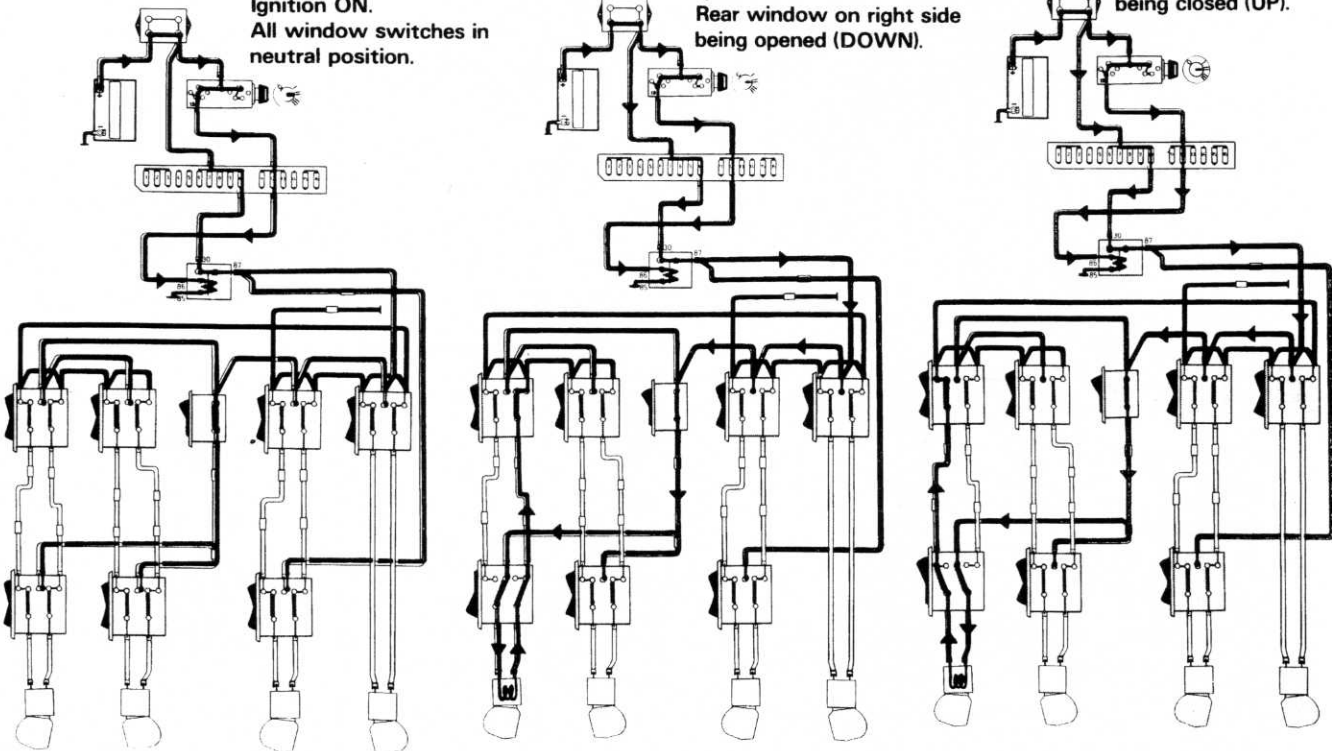
Legend:

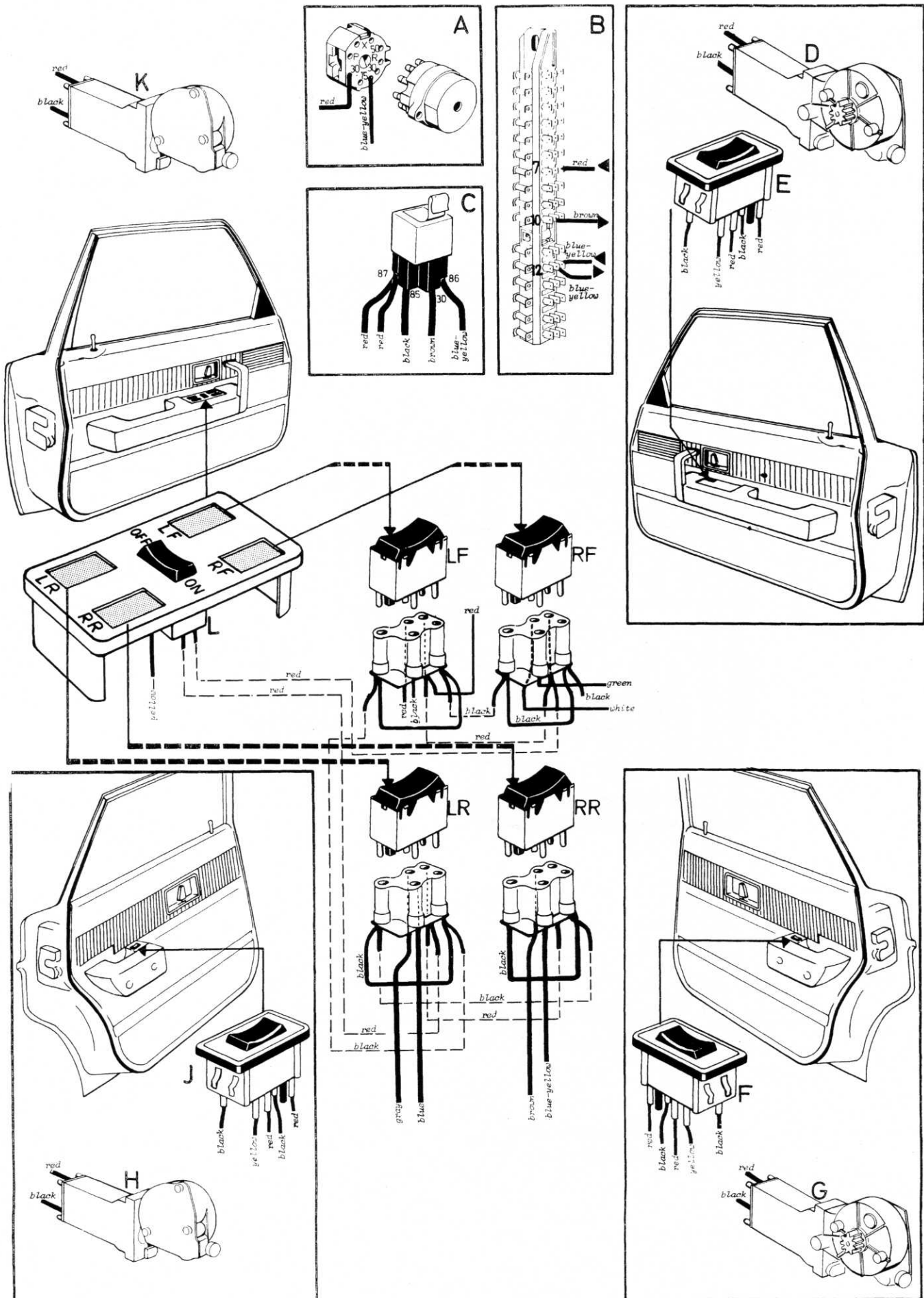
- A Ignition switch
- B Fuse box
- C Relay
- D Window lift motor, right front
- E Switch for right front window
- F Switch for right rear window
- G Window lift motor, right rear
- H Window lift motor, left rear
- J Switch for left rear window
- K Window lift motor, left front
- L Main switch for rear door windows

Ignition ON.
All window switches in
neutral position.

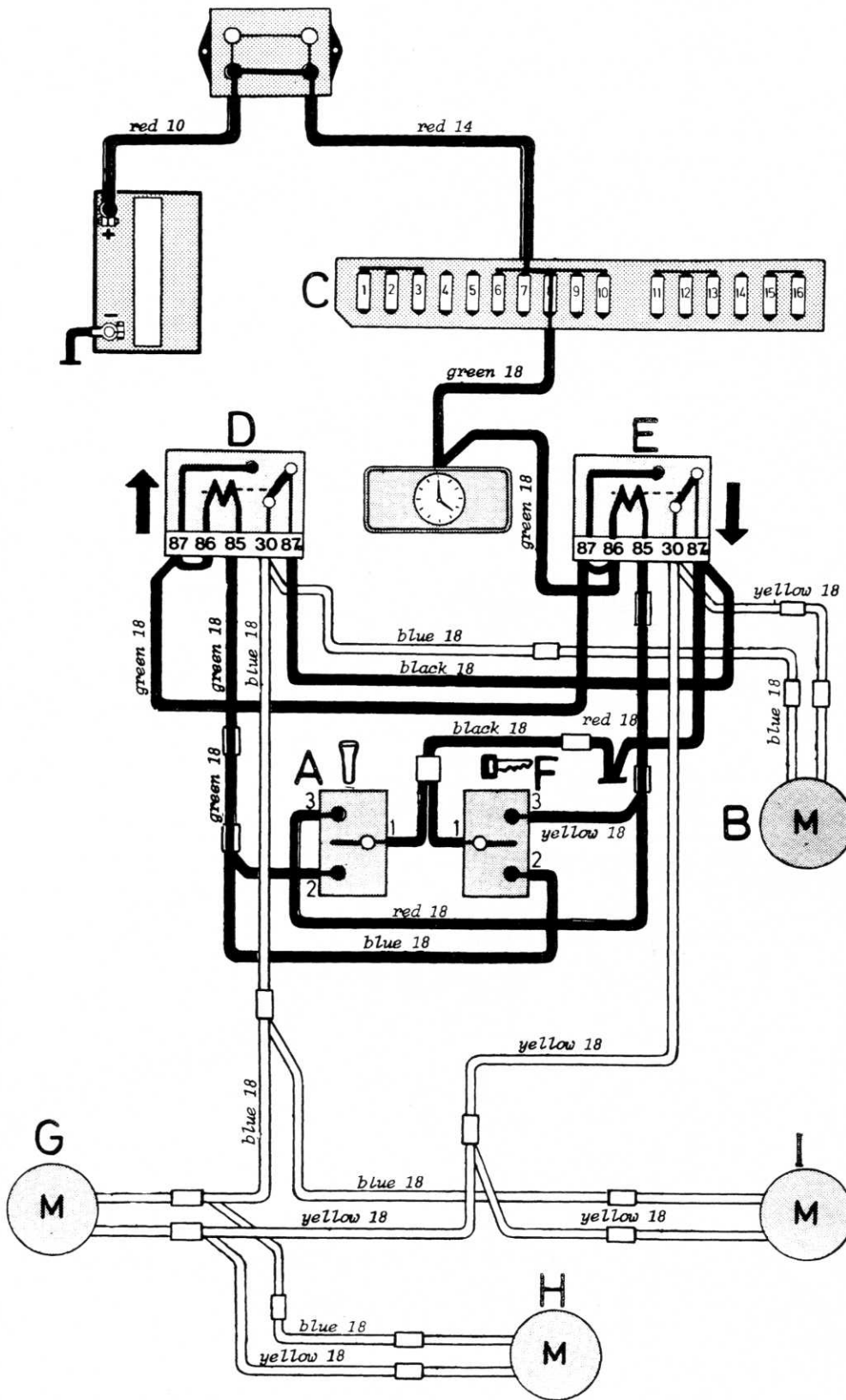
Ignition ON.
Rear window on right side
being opened (DOWN).

Ignition ON.
Rear window on right side
being closed (UP).





Central lock, 4/5-door

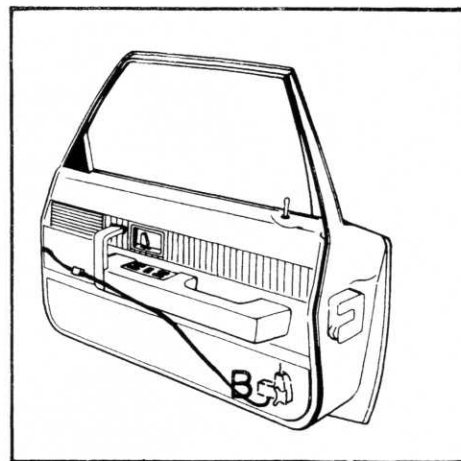
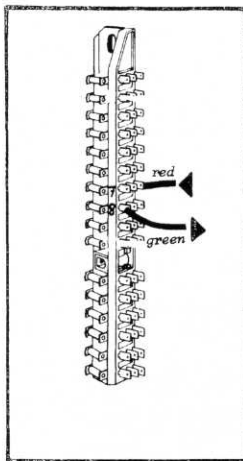
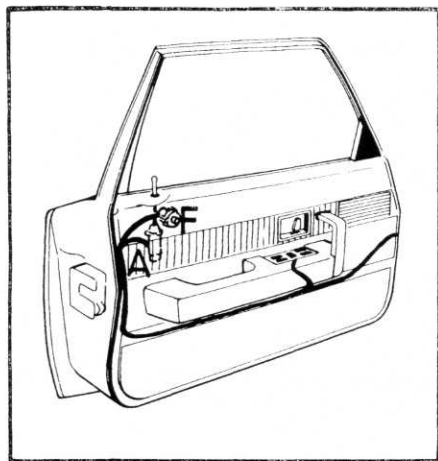


Fuse No. 8:

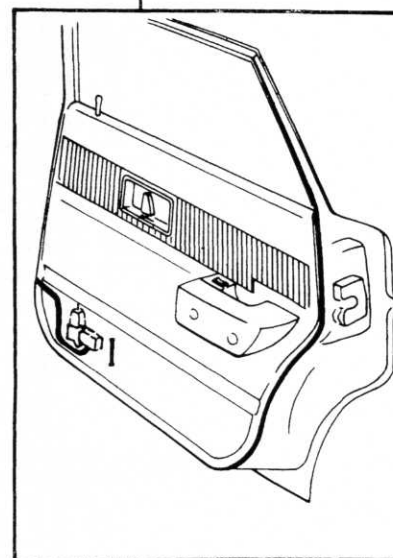
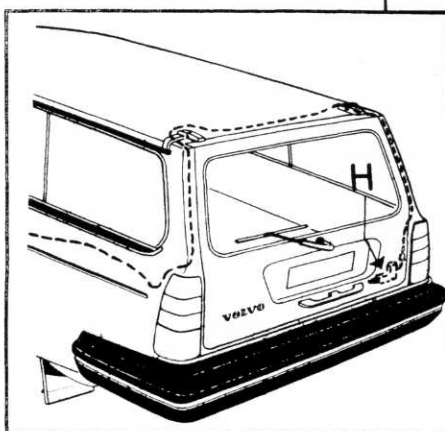
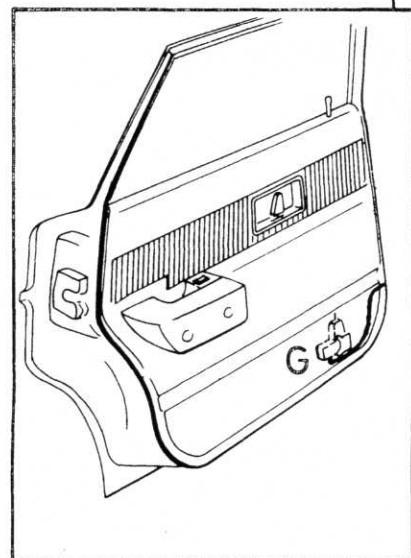
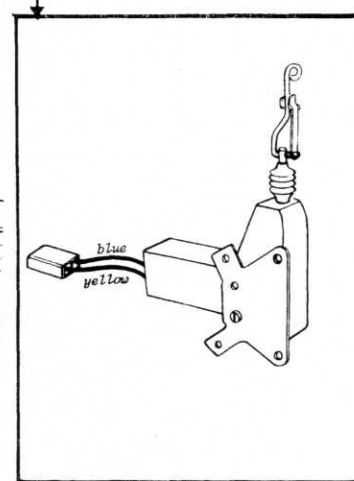
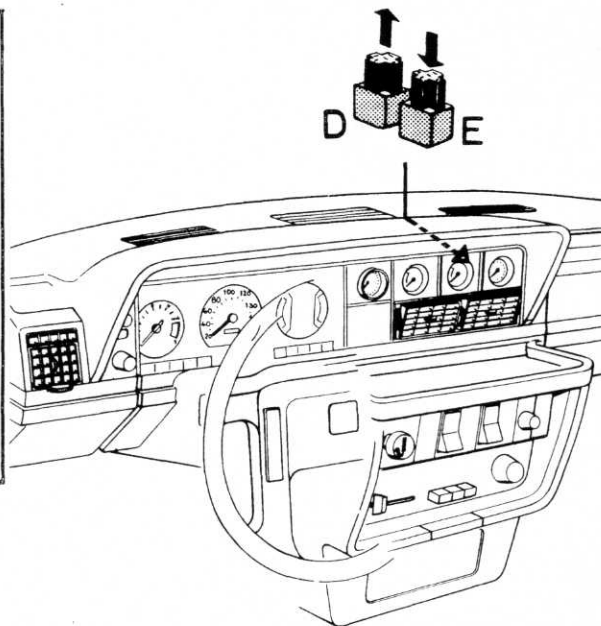
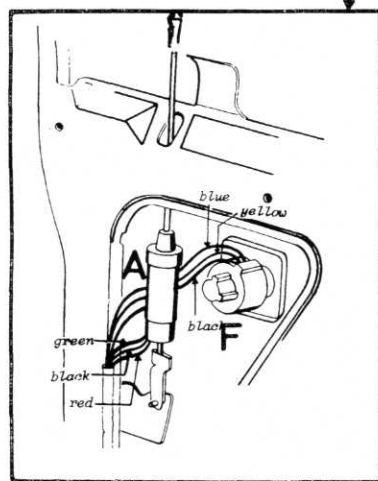
- Interior light
- Glove box light
- Trunk light
- Engine compartment light
- Clock
- Central lock
- Power antenna

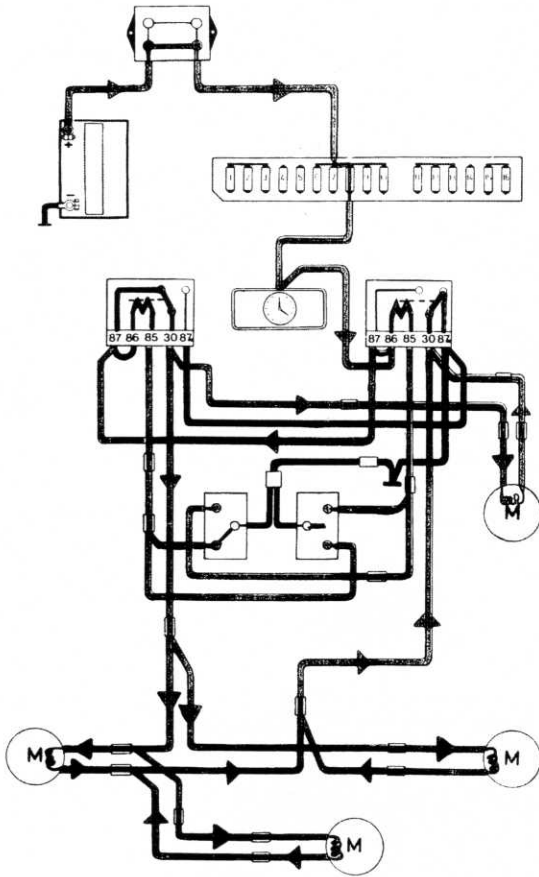
Legend:

- A Door switch
- B Lock motor, right front
- C Fuse box
- D Relay to unlock
- E Relay to lock
- F Key switch
- G Lock motor, left rear
- H Lock motor, tail gate door (wagon)
- I Lock motor, right rear

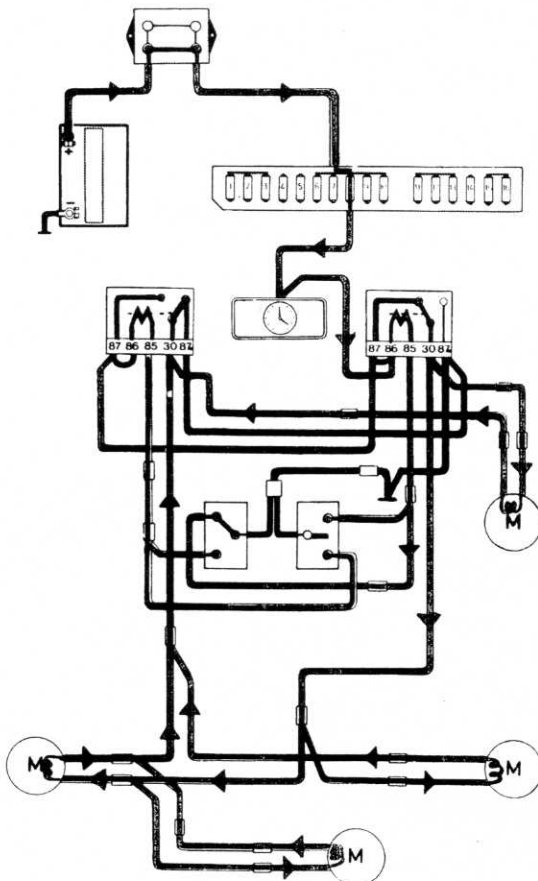


C

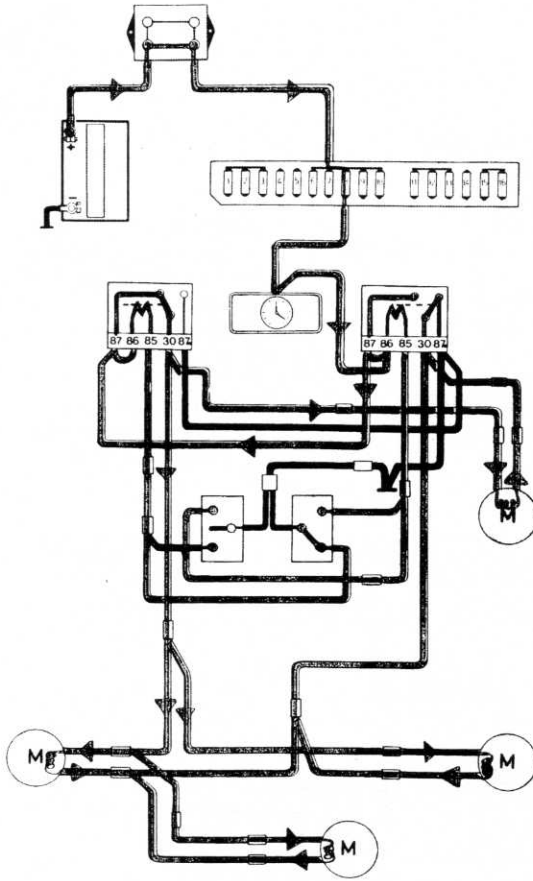




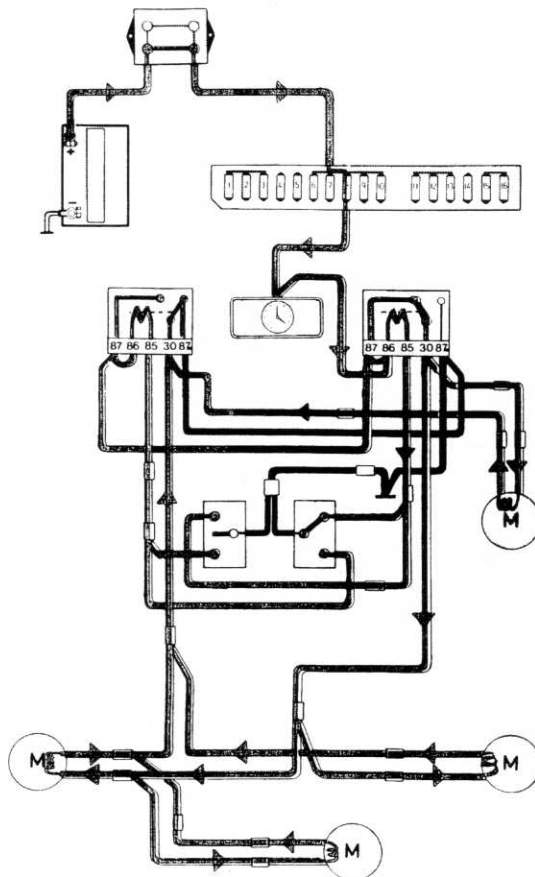
Using lock button to unlock



Using lock button to lock



Using key to unlock

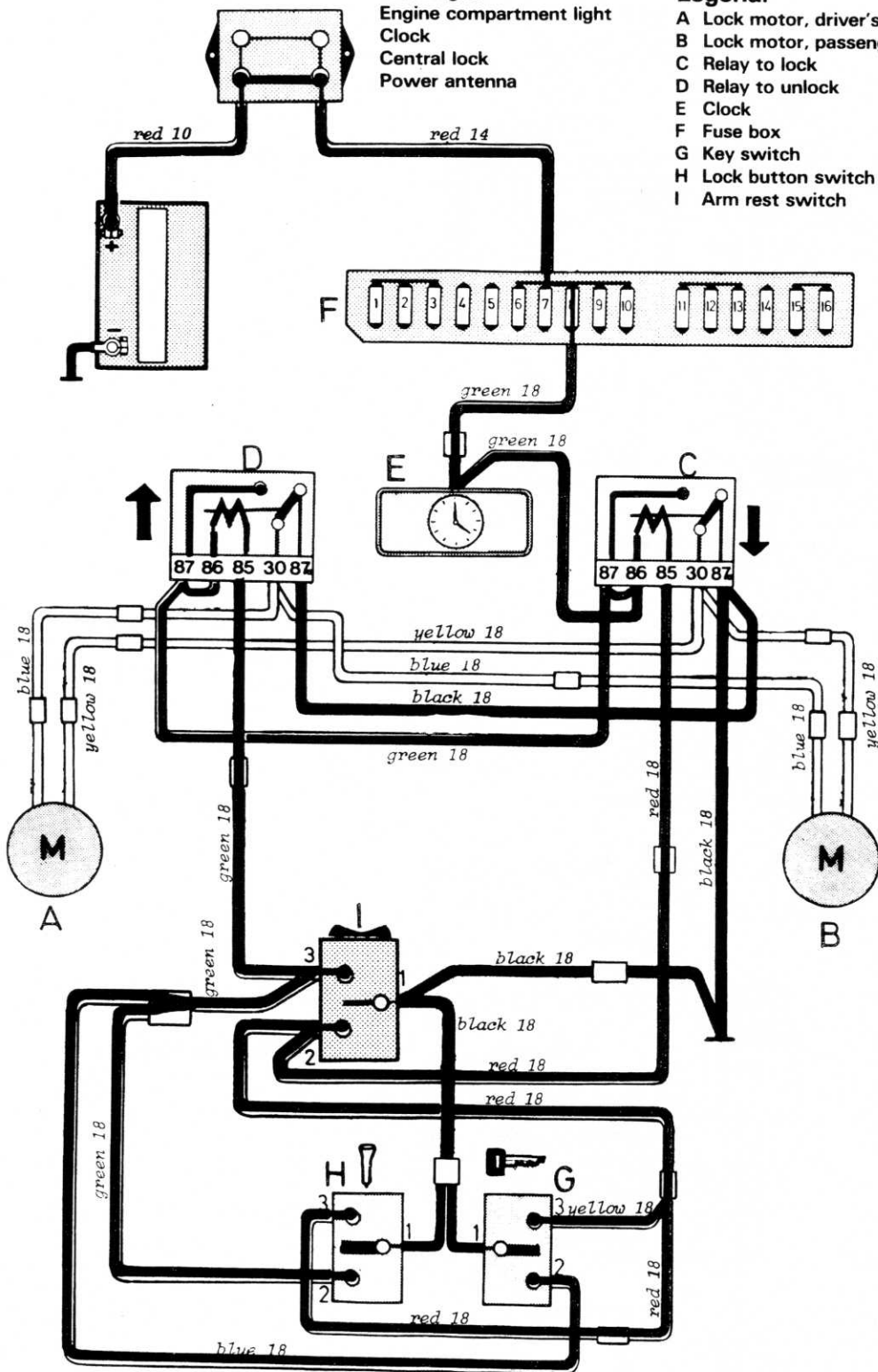


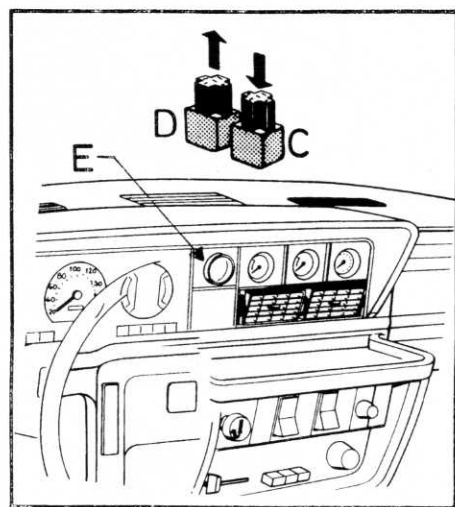
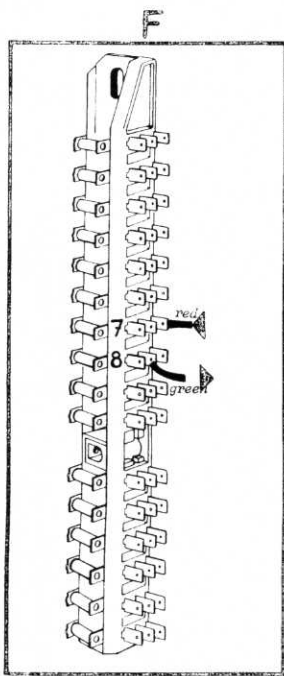
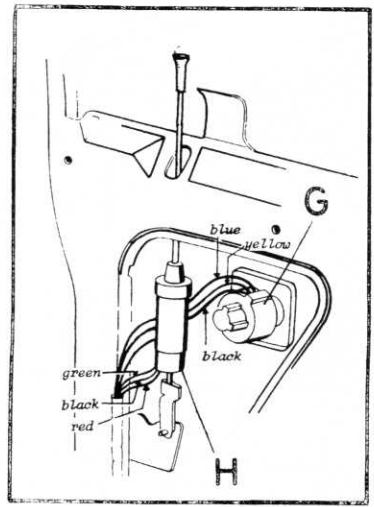
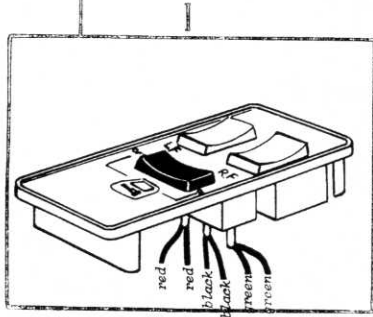
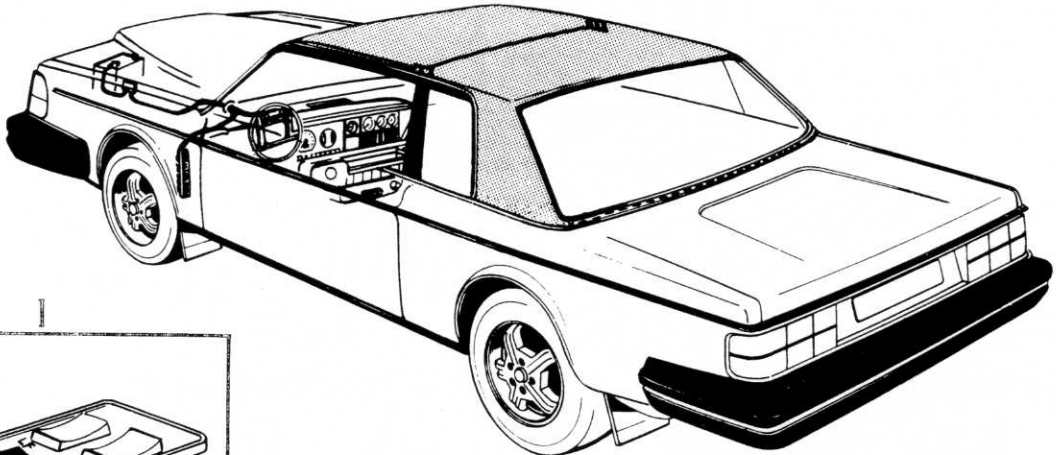
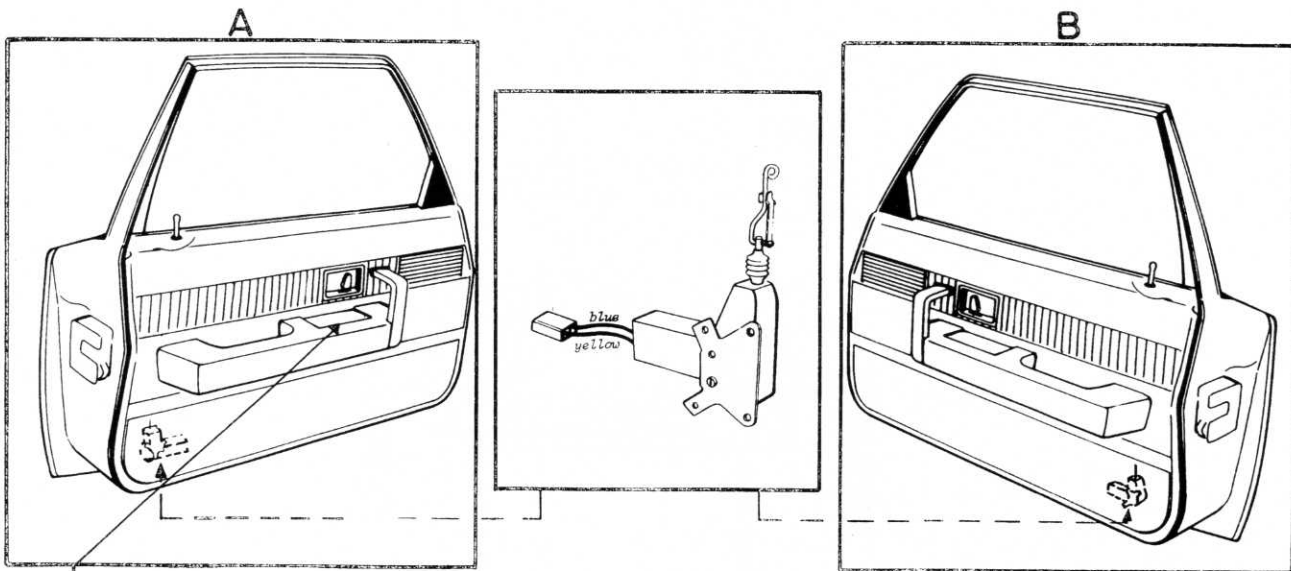
Using key to lock

Central lock, Coupe

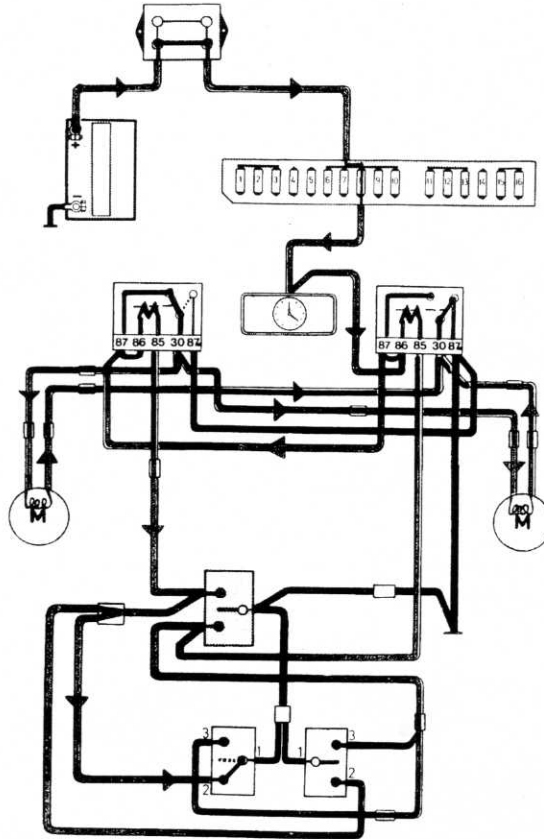
Fuse No. 8:
 Interior light
 Glove box light
 Trunk light
 Engine compartment light
 Clock
 Central lock
 Power antenna

Legend:
 A Lock motor, driver's door
 B Lock motor, passenger side
 C Relay to lock
 D Relay to unlock
 E Clock
 F Fuse box
 G Key switch
 H Lock button switch
 I Arm rest switch

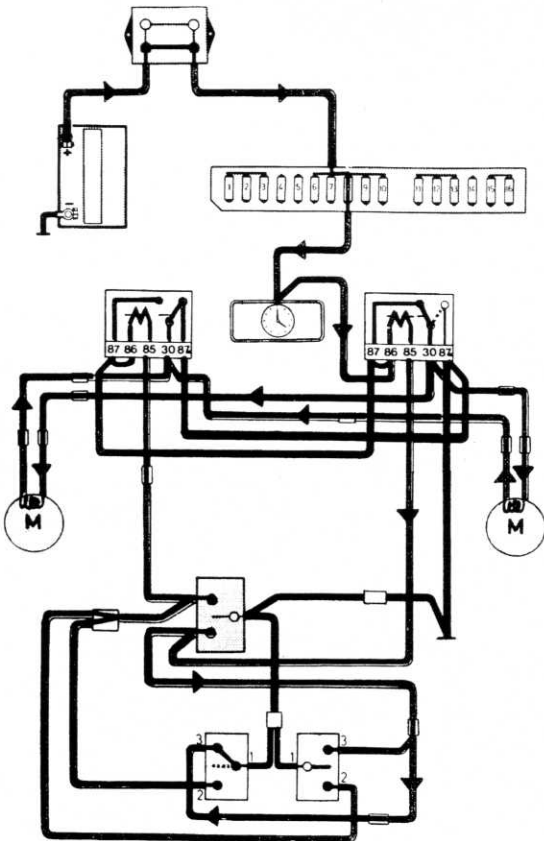




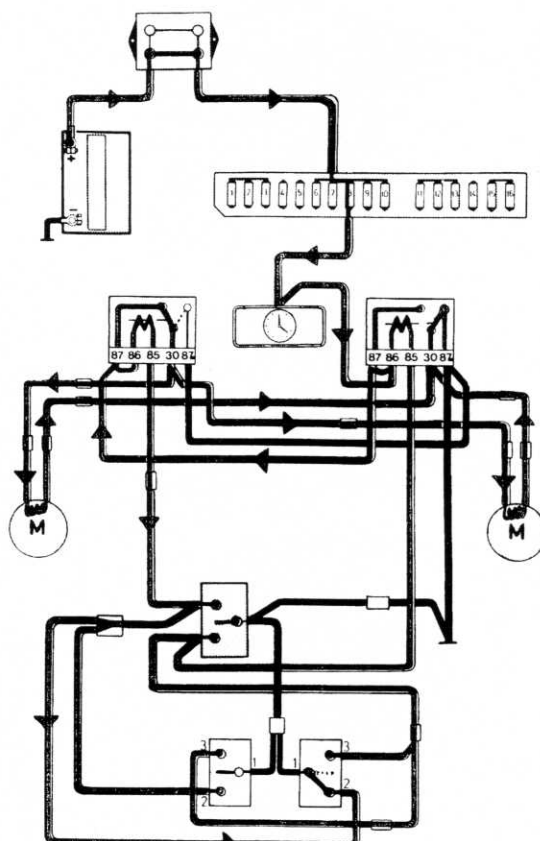
Using lock button to unlock



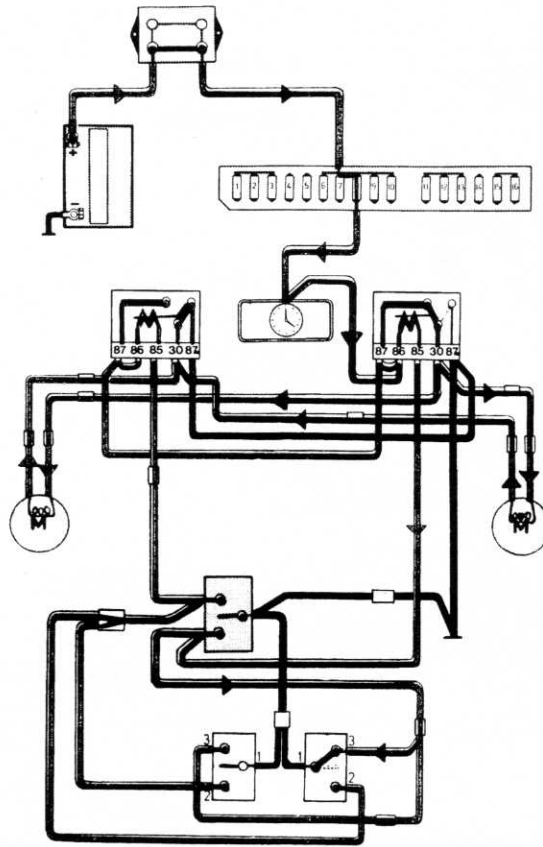
Using lock button to lock



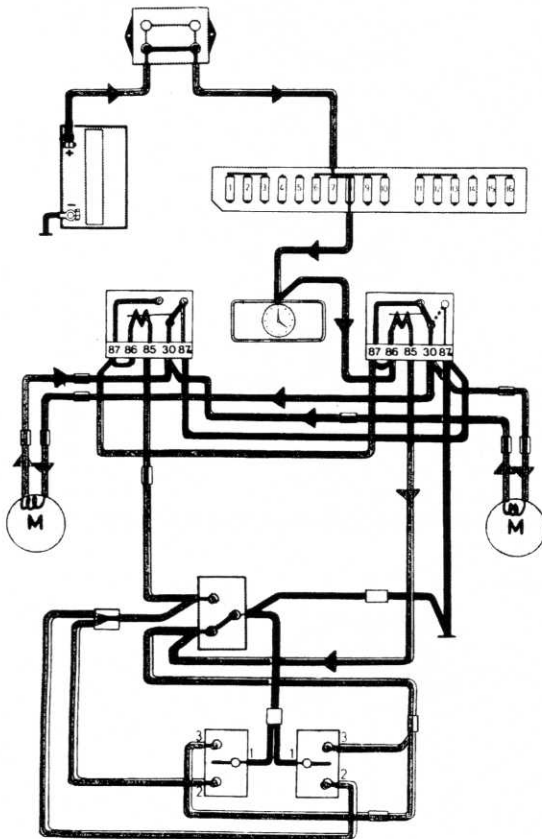
Using key to unlock



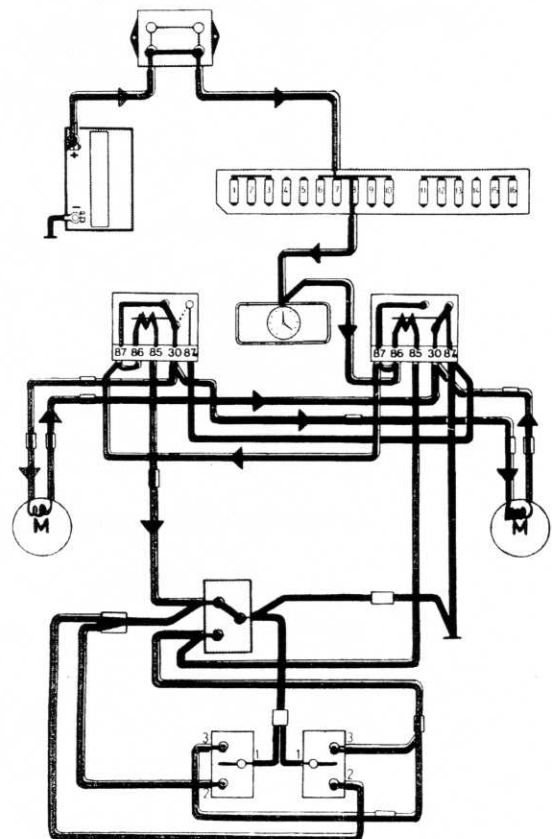
Using key to lock



Using arm rest switch to lock



Using arm rest switch to unlock



Cruise control

Fuse No. 1:

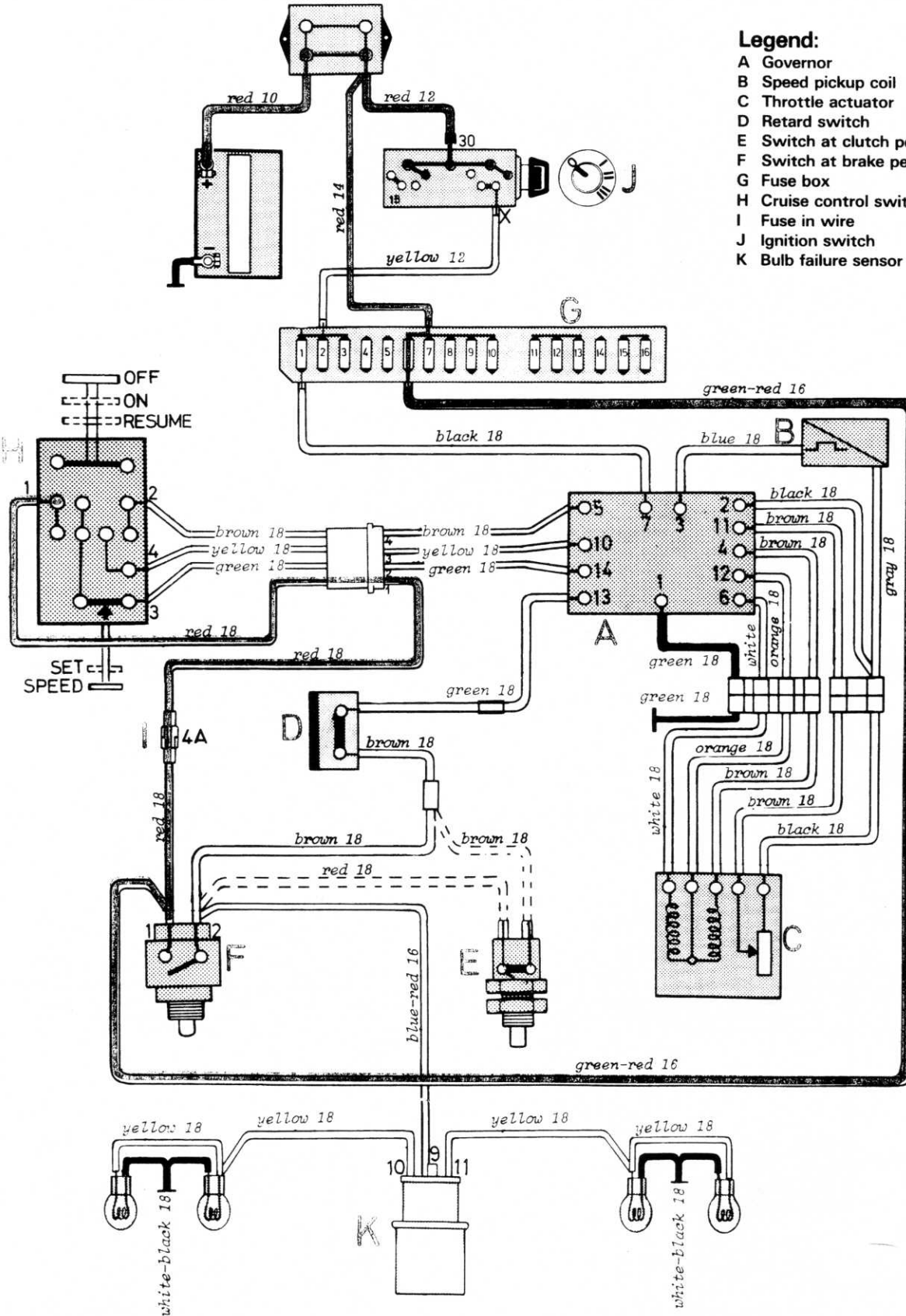
- Cigarette lighter
- Tail gate window wiper and washer
- Electrically operated side mirrors
- Radio (and power antenna)
- Cruise control

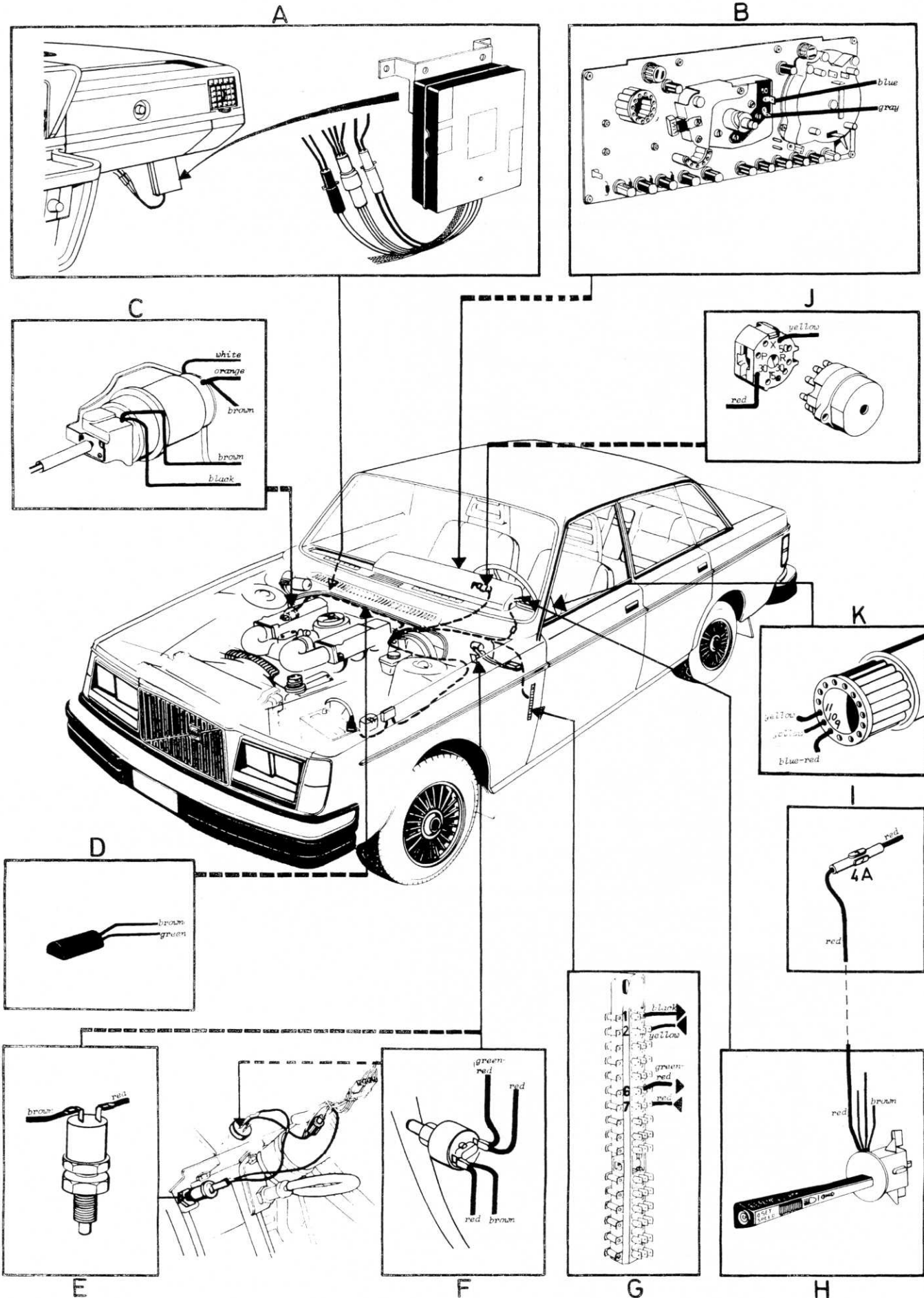
Fuse No. 6:

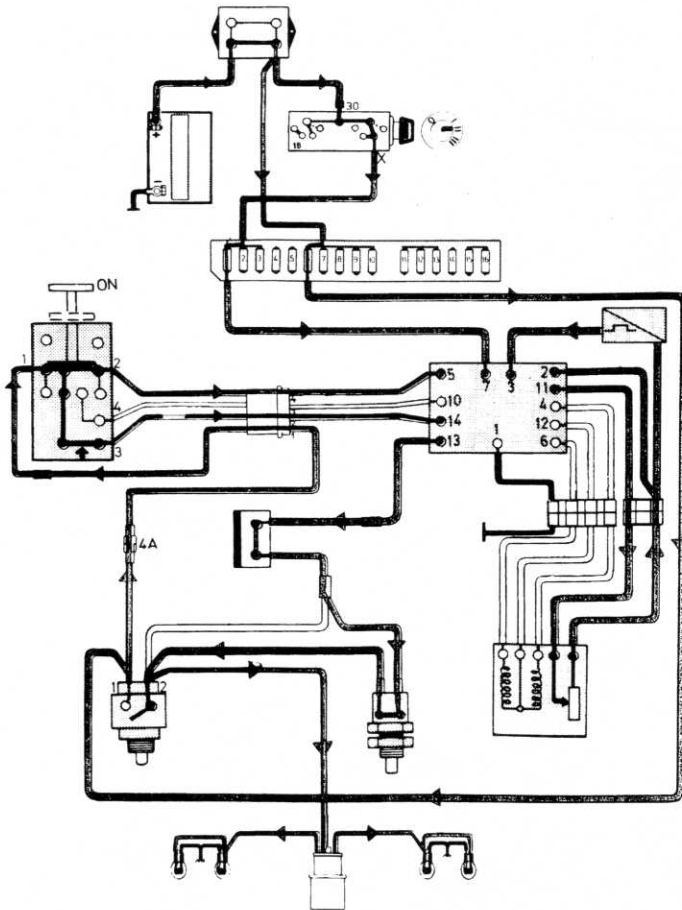
- Brake light
- Cruise control

Legend:

- A Governor
- B Speed pickup coil
- C Throttle actuator
- D Retard switch
- E Switch at clutch pedal
- F Switch at brake pedal
- G Fuse box
- H Cruise control switch
- I Fuse in wire
- J Ignition switch
- K Bulb failure sensor



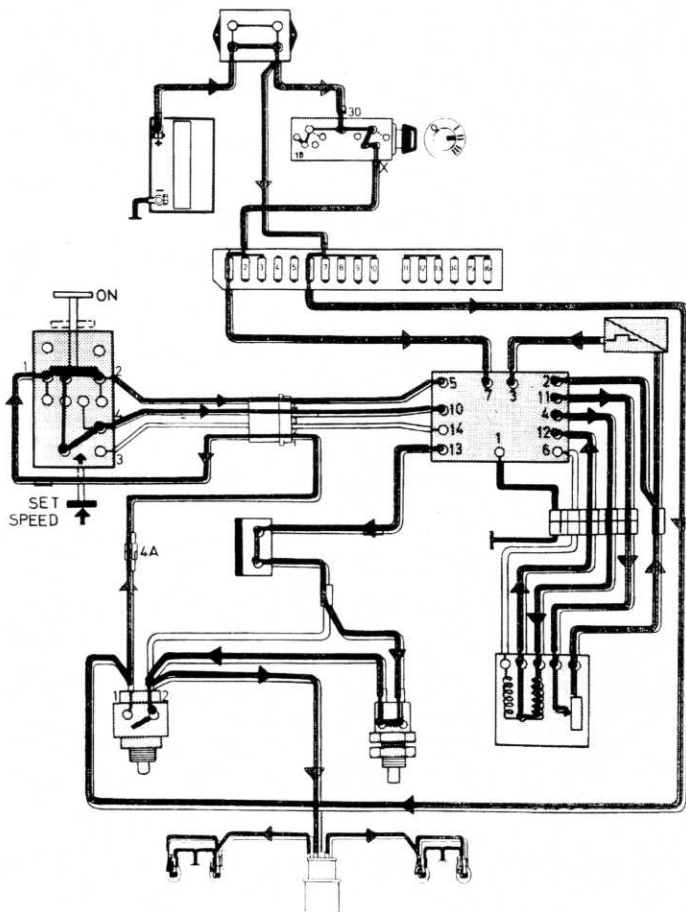




Set speed

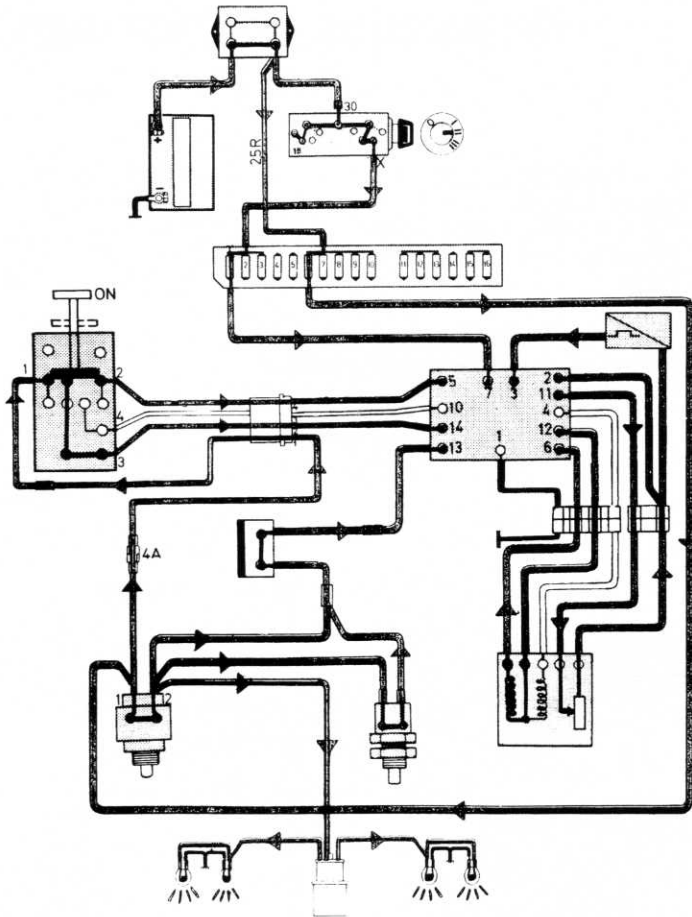
Switch position ON and SET SPEED button depressed.

Relay and vacuum valve in throttle actuator grounded through brake light bulbs. Current is too small to illuminate brake lights.



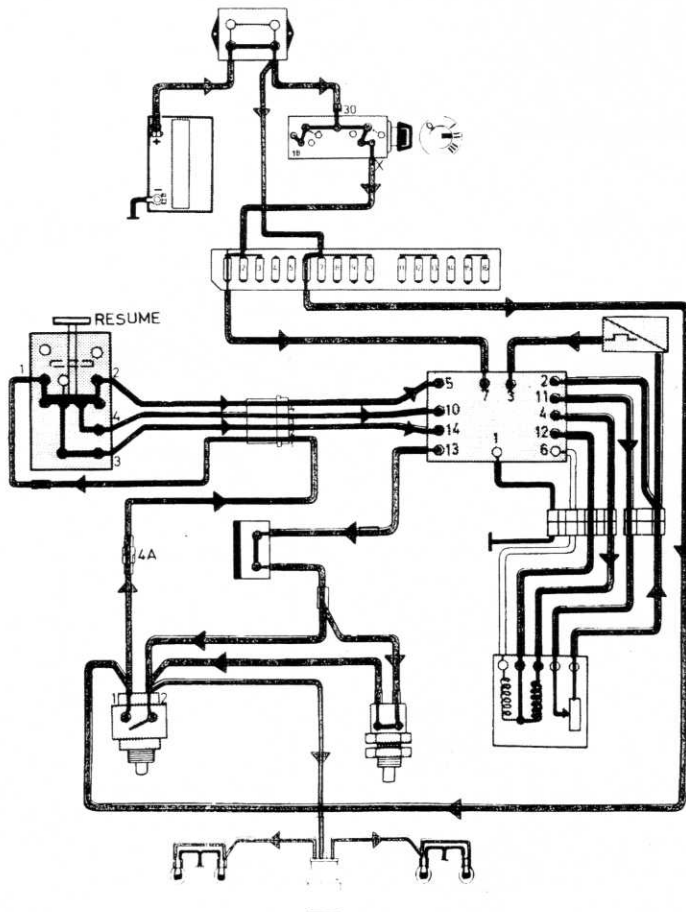
ON

Self-holding relay in throttle actuator receives current from governor terminal 2 (provided speed is higher than 35 mph and brake and clutch not engaged).



Cruise control disengaged

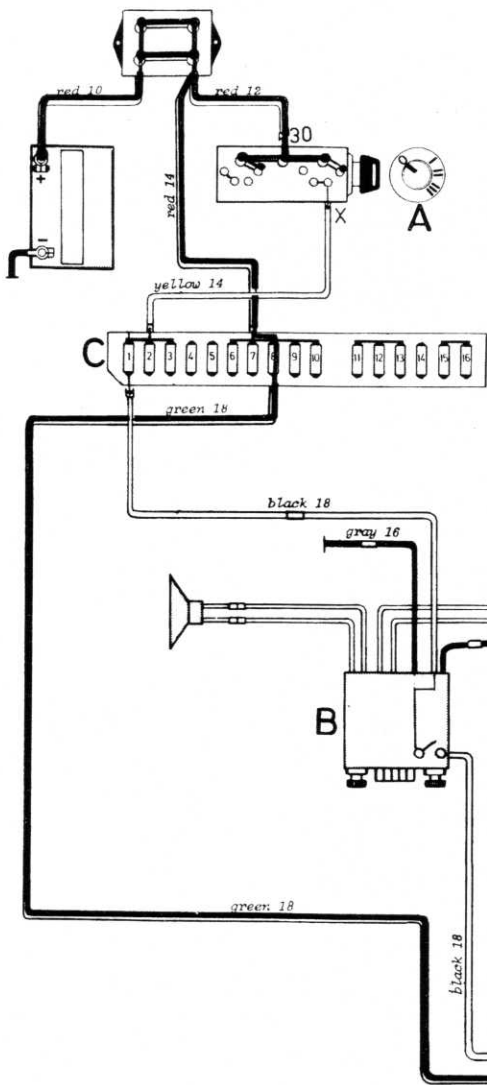
If brake pedal switch is engaged, self-holding relay in throttle actuator will be disengaged (same voltage on both ends of coil).
In case of heavy braking, also mercury retard switch will disengage.



Resume

Switch to Resume engages memory and previous setting.

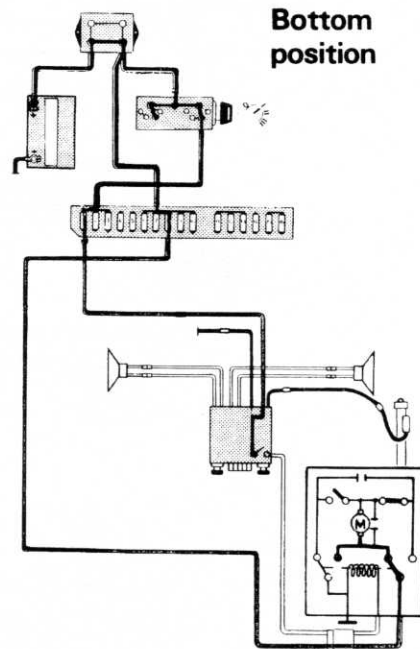
Radio and power antenna



Fuse No. 1:
 Cigarette lighter
 Tail gate window wiper/washer
 Electrically operated side mirrors
 Radio

Fuse No. 8
 Interior light
 Glove box light
 Trunk light
 Engine compartment light
 Clock
 Power antenna

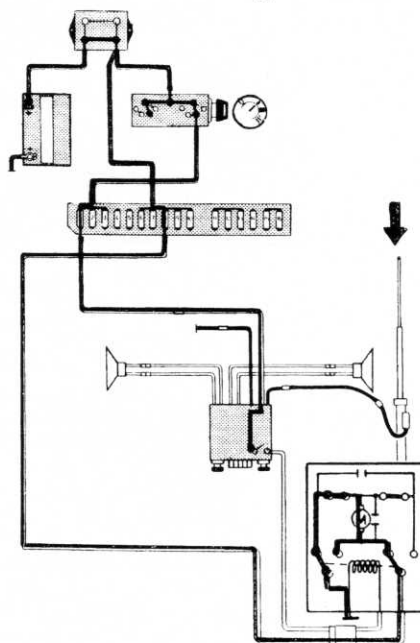
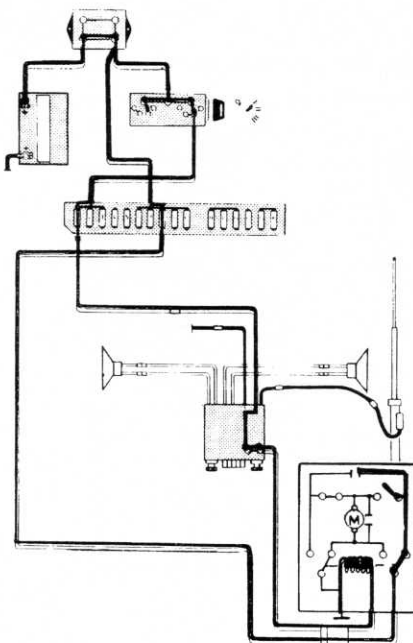
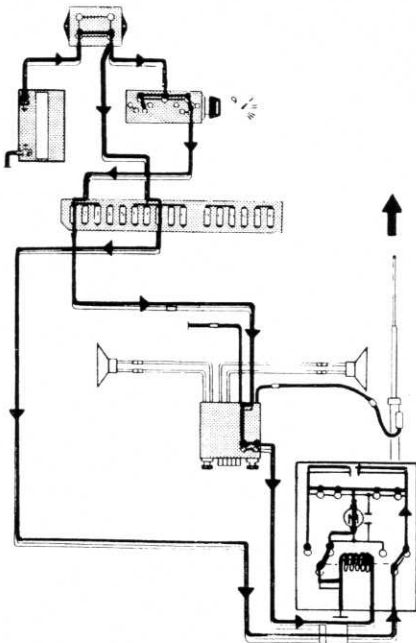
Legend:
 A Ignition switch
 B Radio
 C Fuse box
 D Motor, power antenna

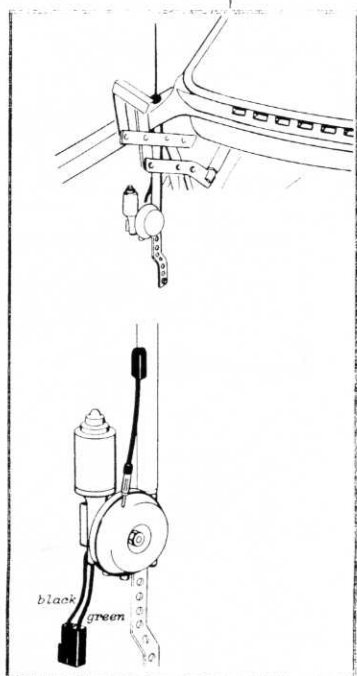
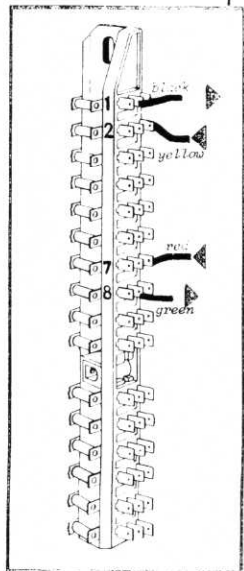
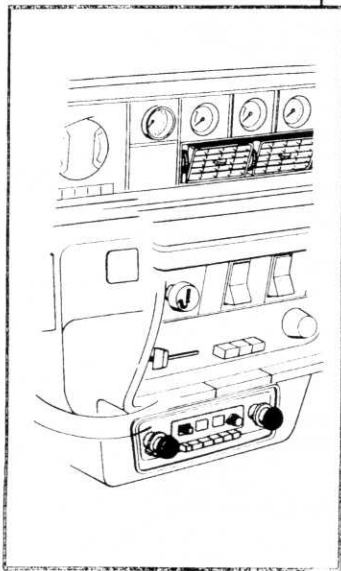
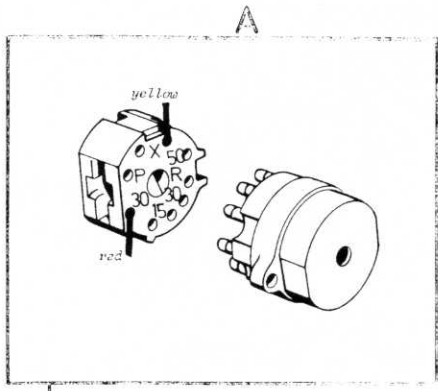
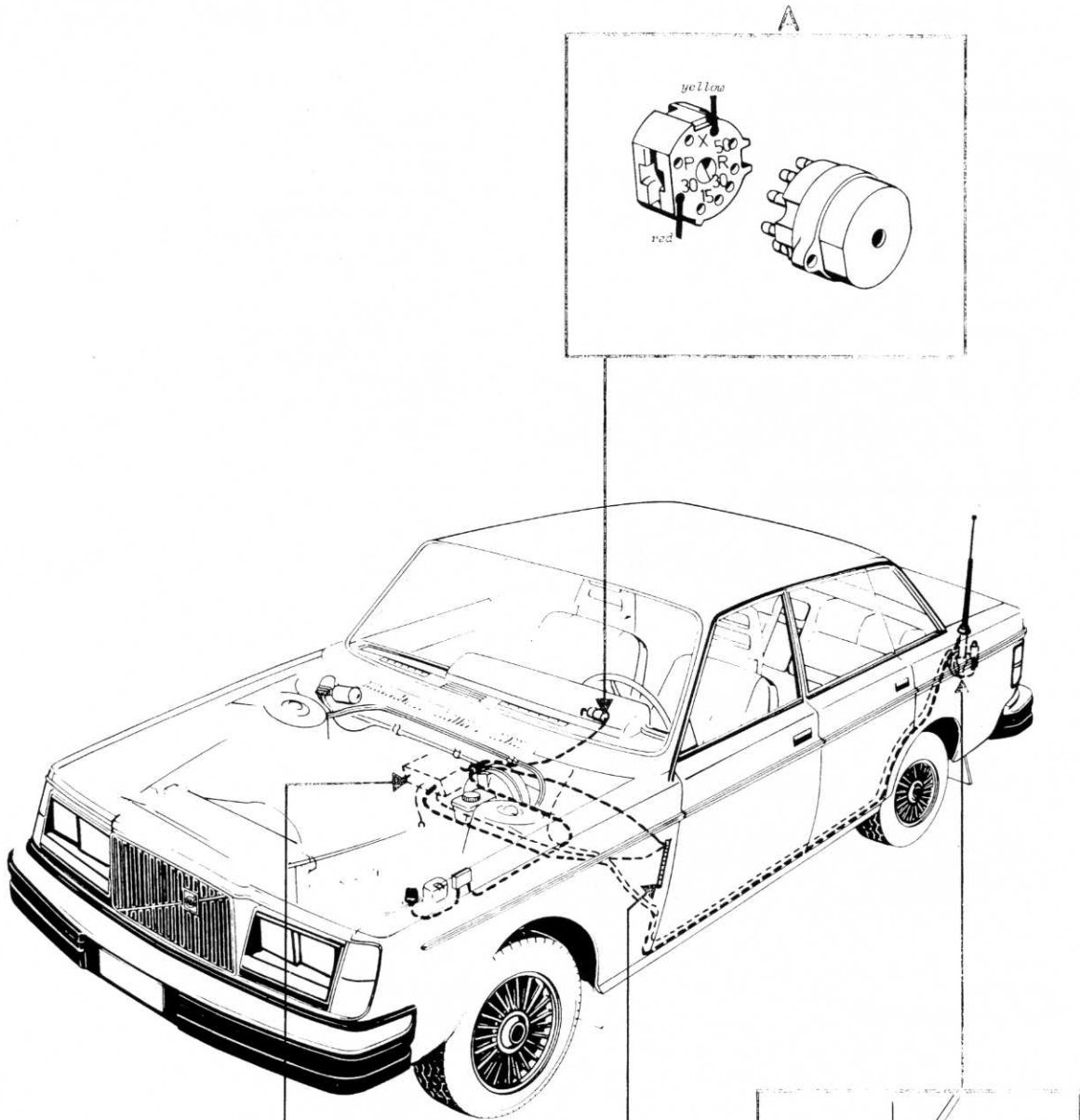


Power antenna being raised

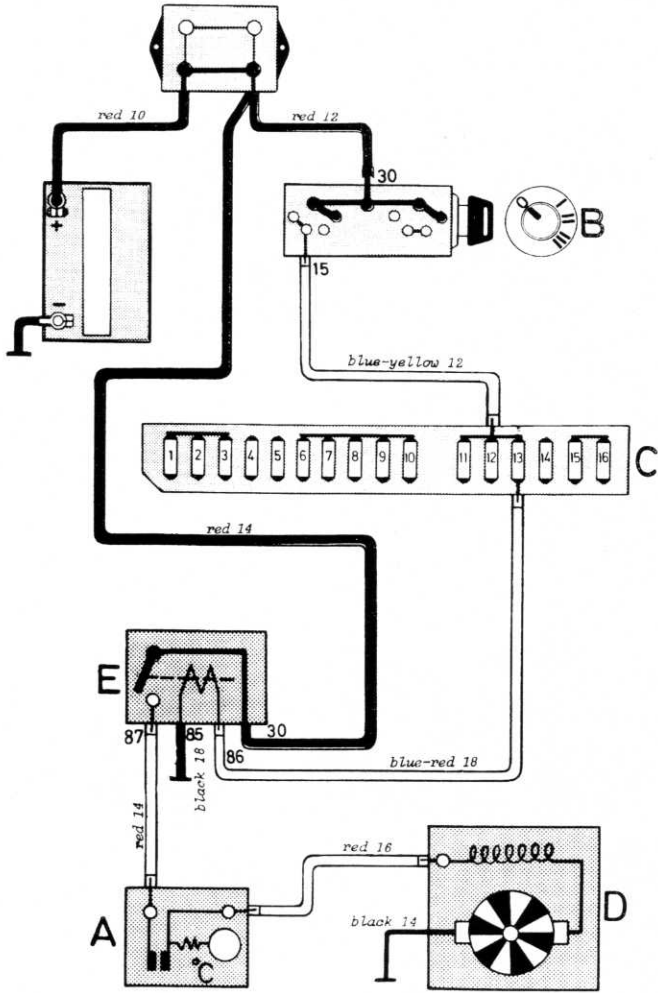
Top position

Power antenna being lowered





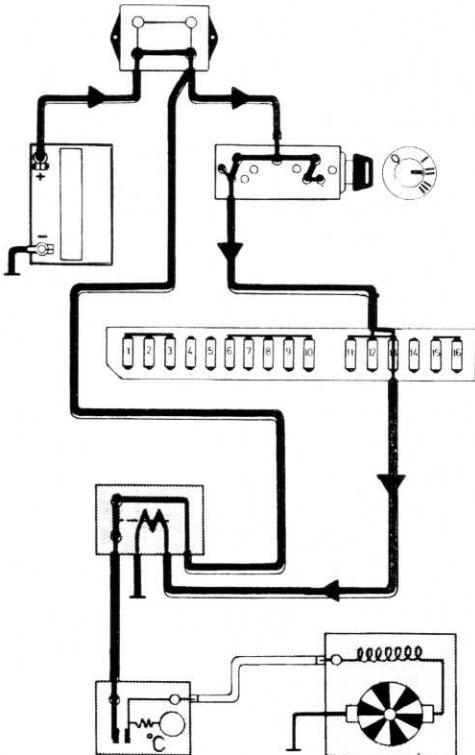
Electric cooling fan



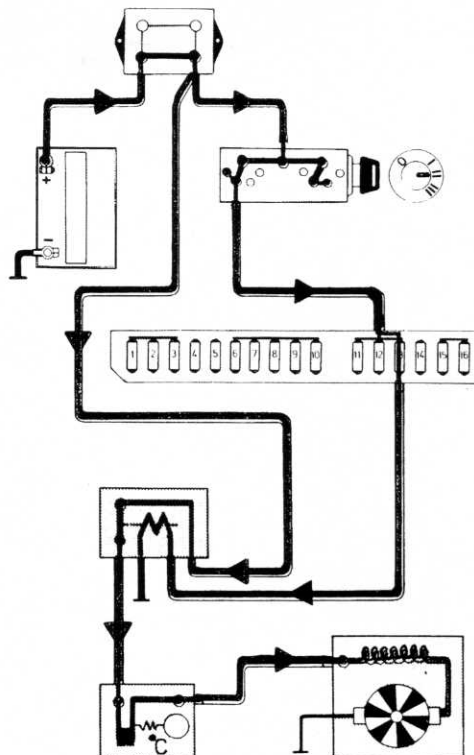
Fuse No. 13:
 Instruments
 Turn signals
 Seat belt warning
 Relay, fuel injection
 Solenoid valve (carburetor)
 Electric cooling fan

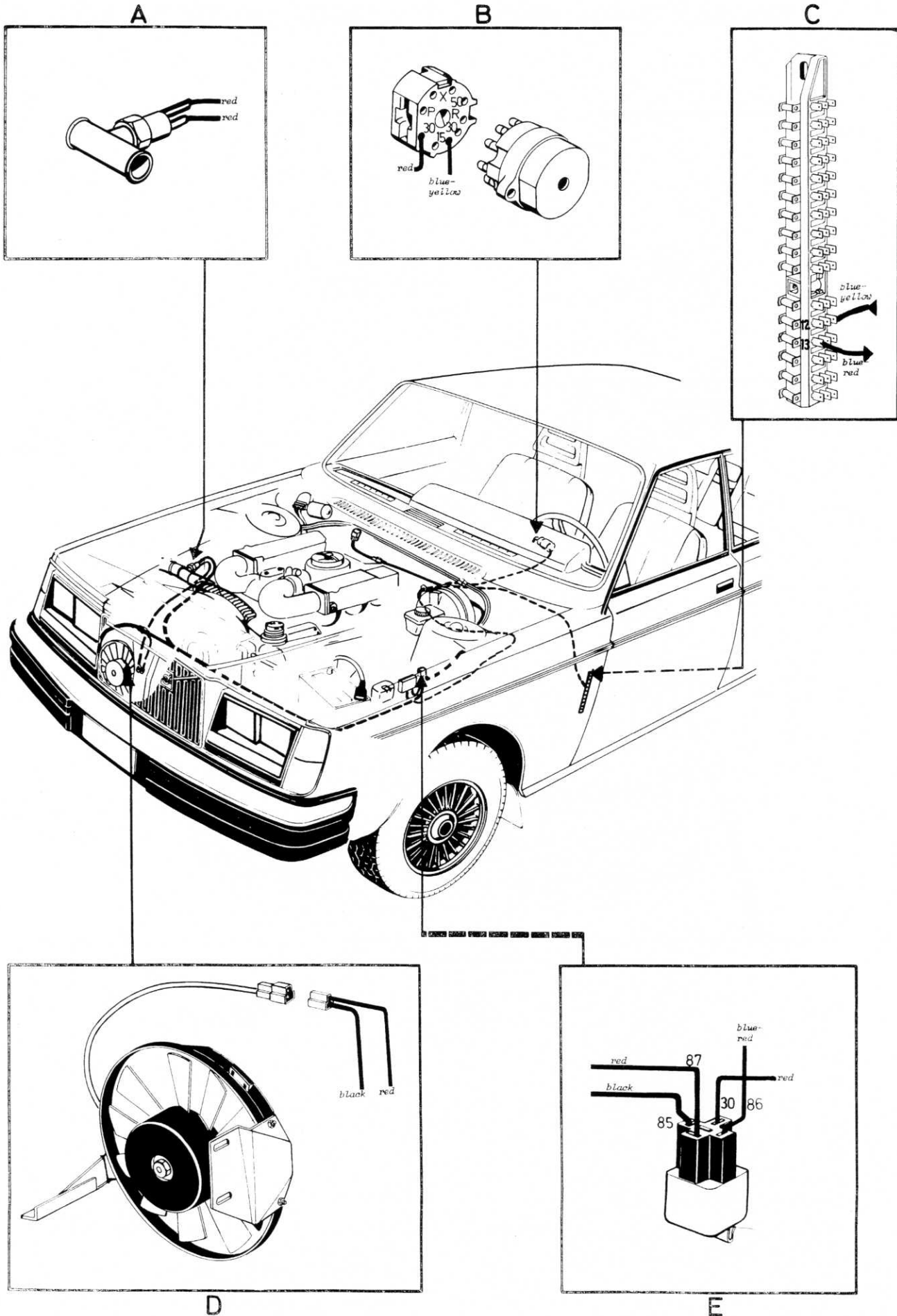
Legend:
 A Thermostat switch
 B Ignition switch
 C Fuse box
 D Electric cooling fan
 E Relay

Ignition ON.
 Thermostat switch OFF.

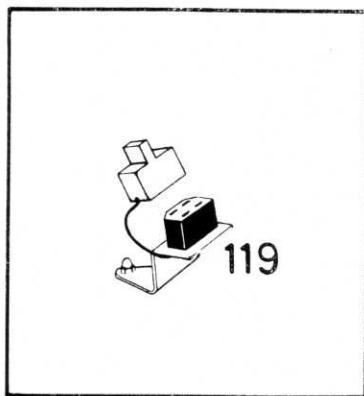


Ignition ON.
 Thermostat switch ON.

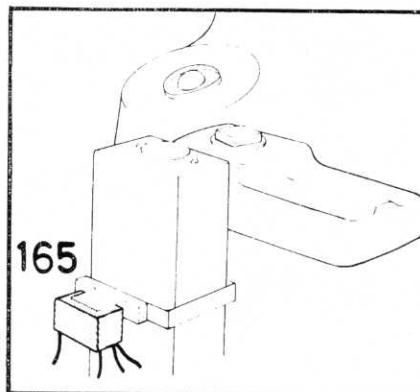




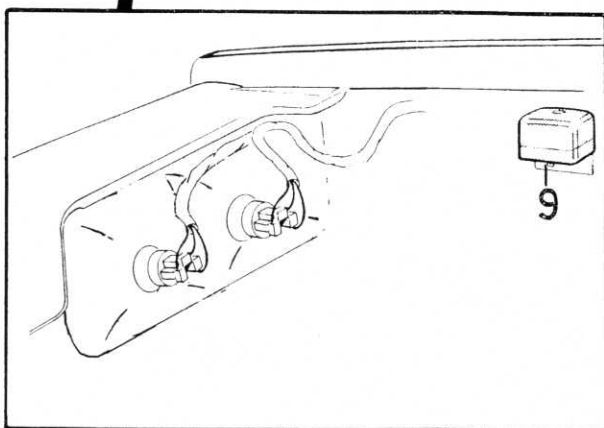
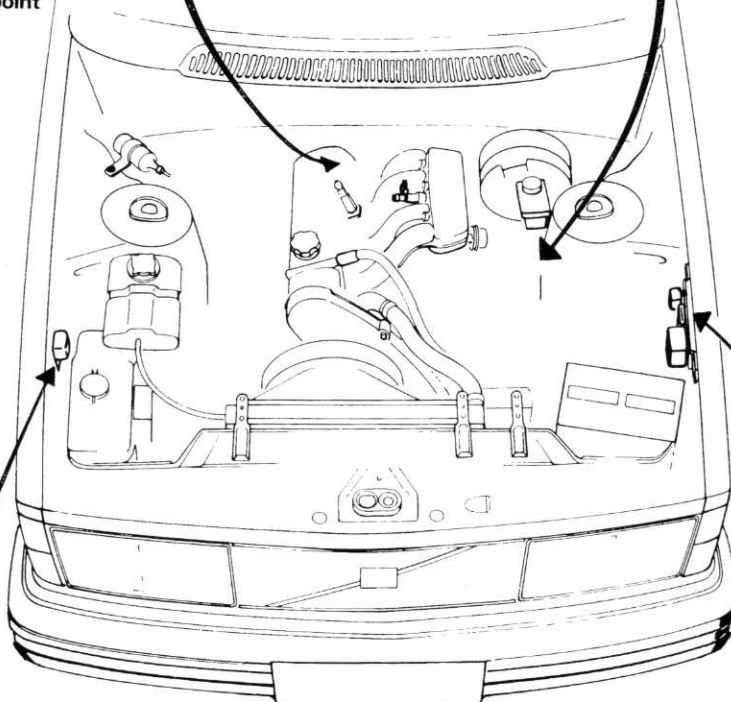
Locations for relays, buzzers, control units, etc



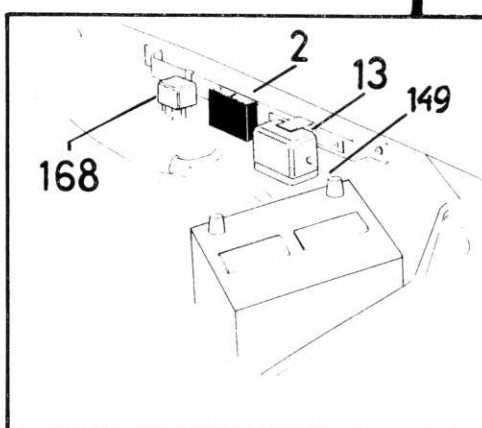
119 Test instrument pick-up point



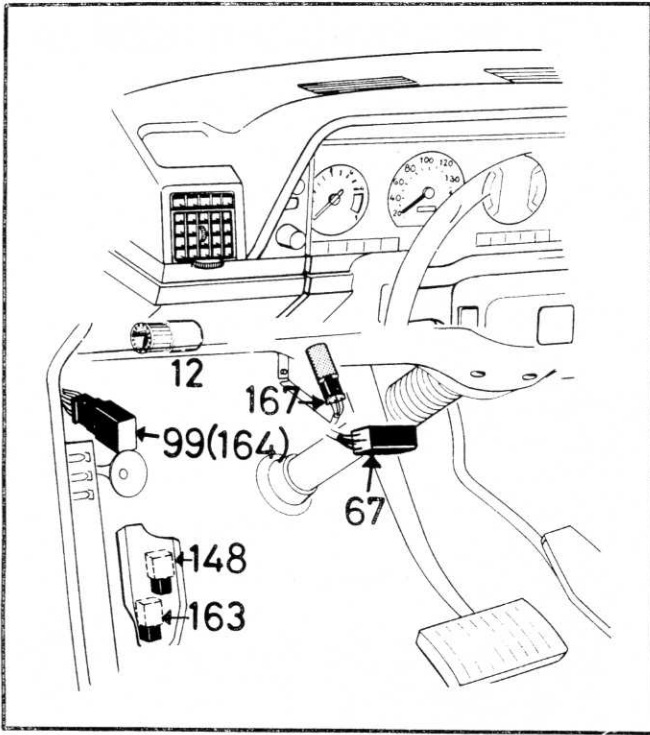
165 Diesel: glow plug relay



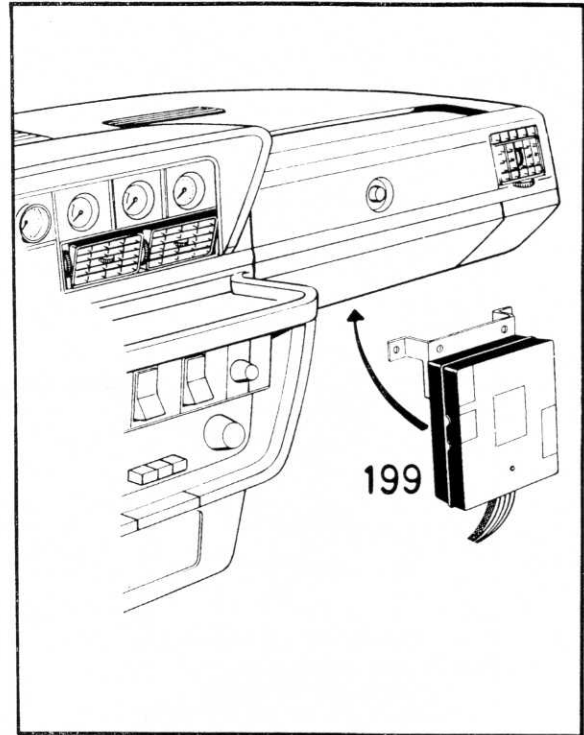
9 Voltage regulator



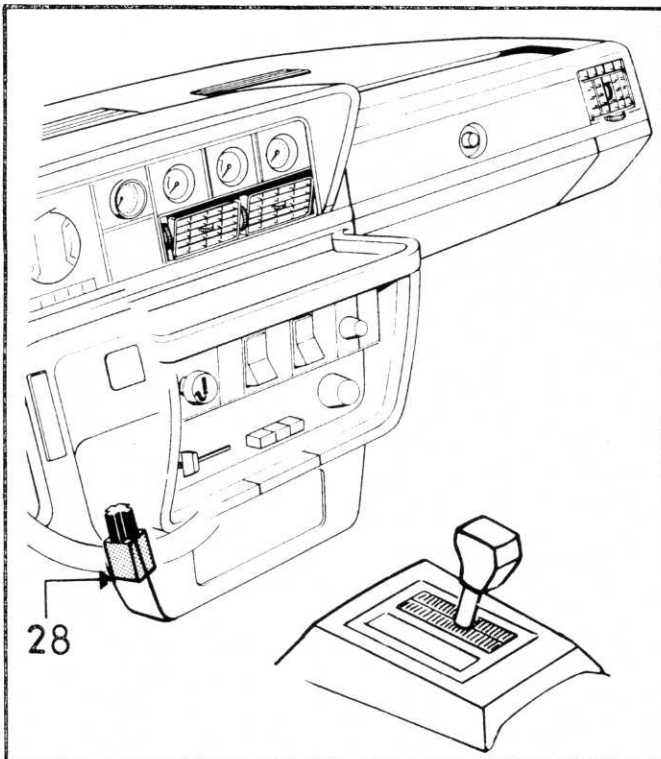
2 Connection box
13 Upper/lower beam switch relay
149 Lambda system test pick-up point
168 Relay, electric cooling fan



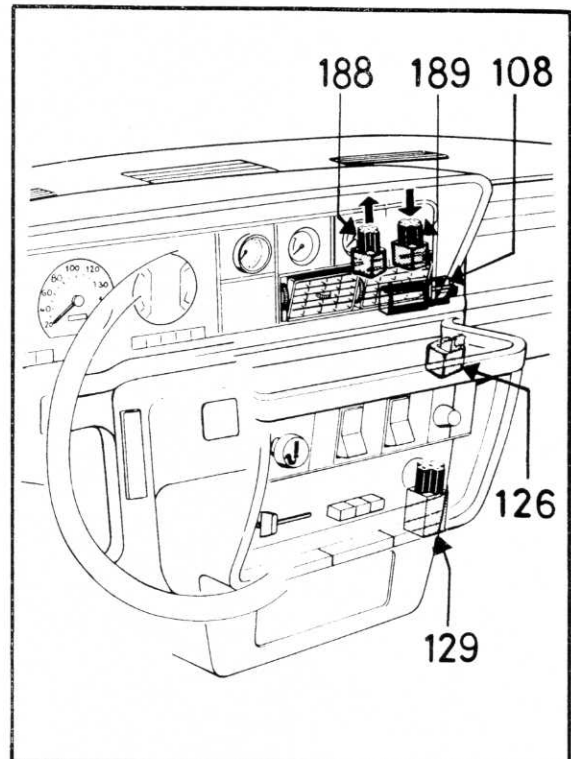
- 12 Bulb failure sensor
- 67 Key and light buzzer
- 99 Relay, fuel pump
- 148 Interval relay, window wipers
- 163 Interval relay, tail gate window wiper
- 164 Diesel, control unit
- 167 Relay, delayed interior light



199 Governor, cruise control

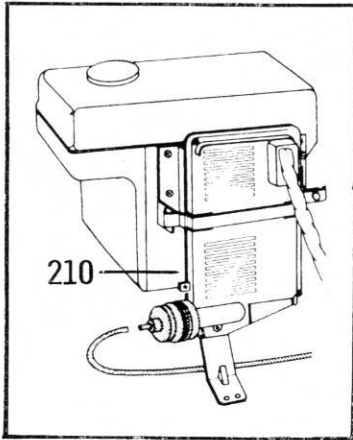


28 Flasher, turn signals

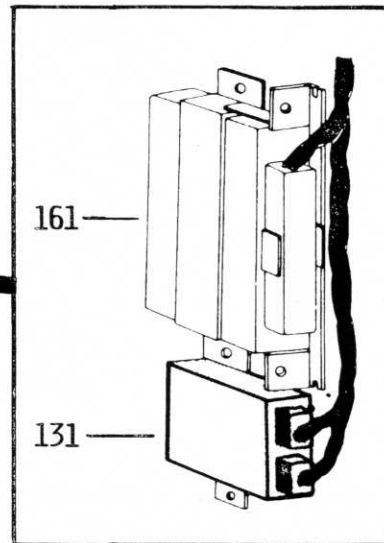
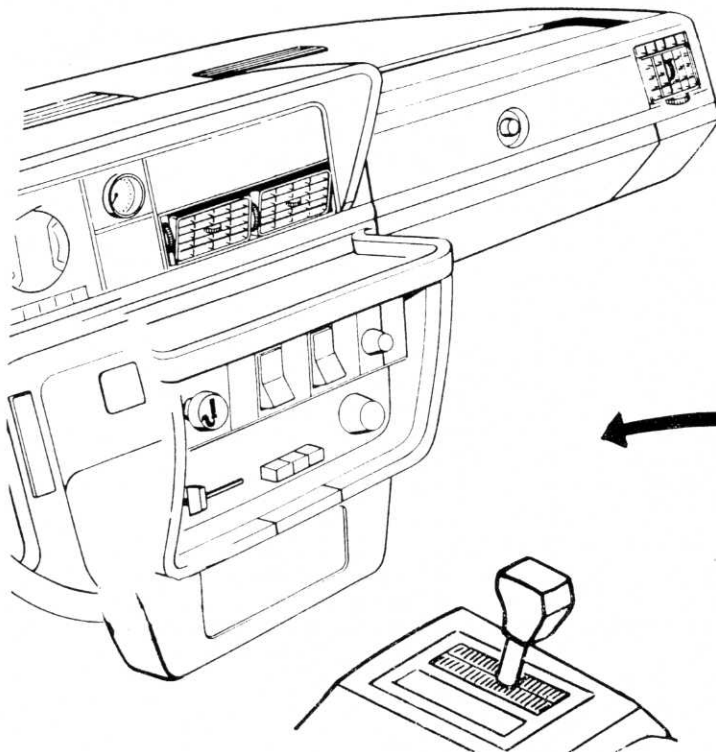
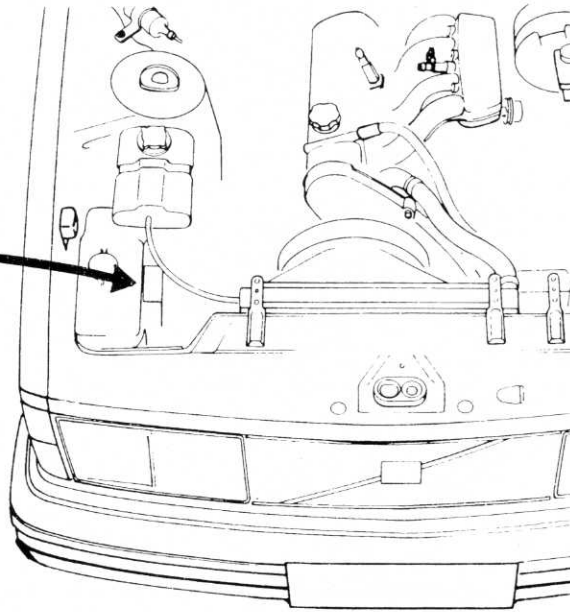


- 108 Relay, overdrive
- 126 Relay, window lifts
- 129 Relay, air conditioning
- 188 Central lock, unlock relay
- 189 Central lock, lock relay

Electronic control units

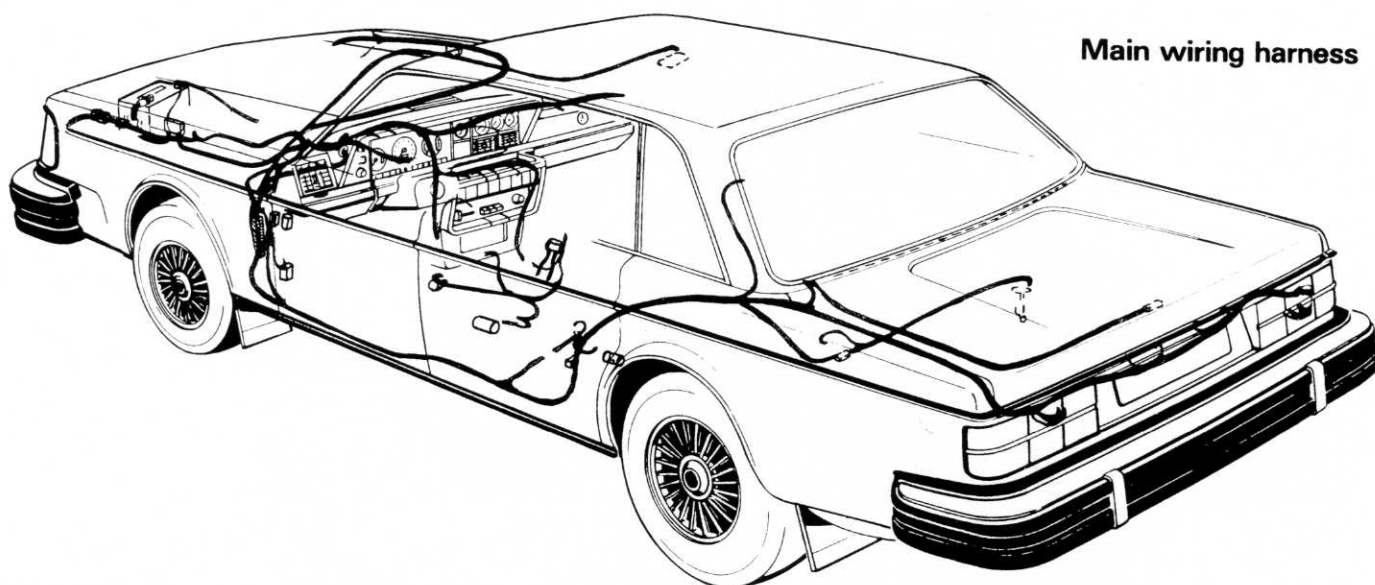


210 Electronic control unit for Computer Controlled Ignition System (B21F-MPG)

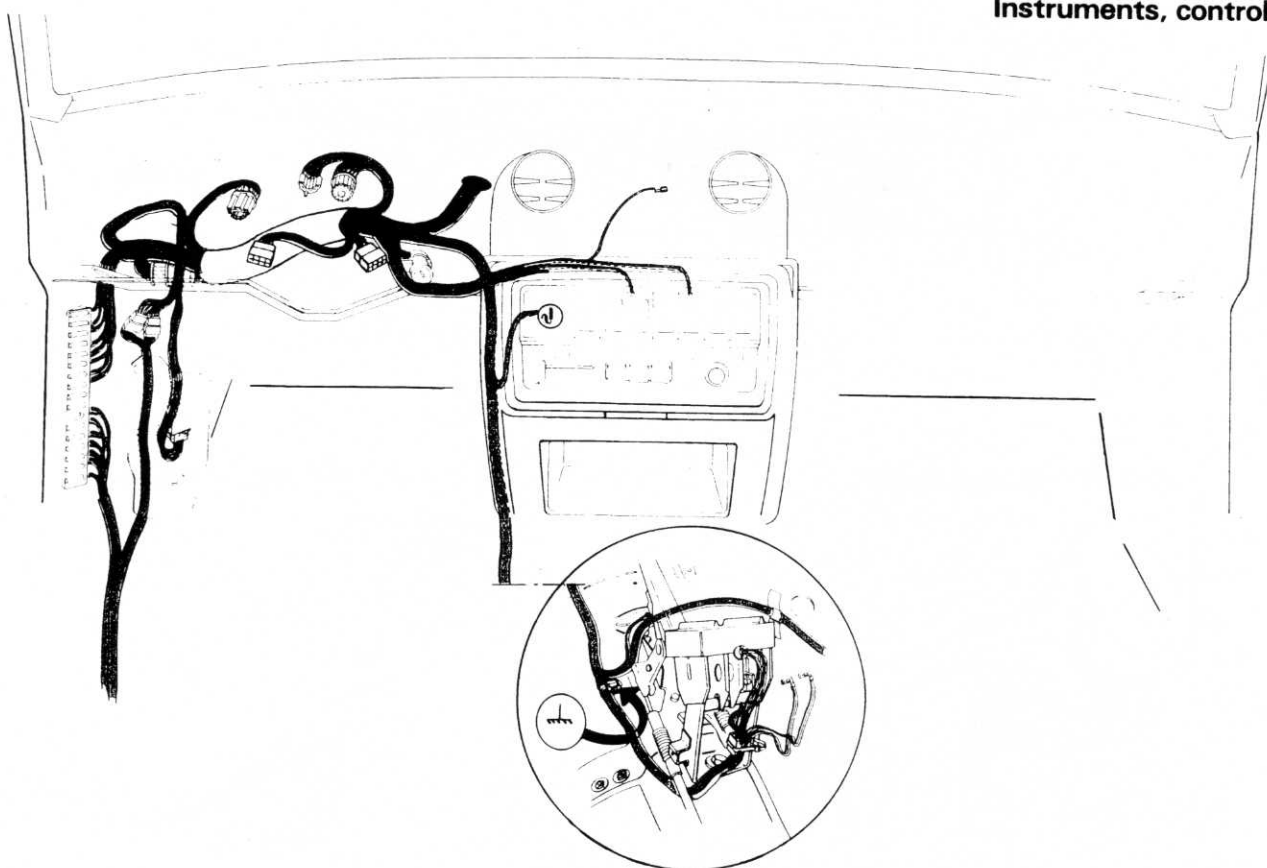


131 Electronic control unit for Lambda-sond system
161 Electronic control unit for Constant Idle Speed (CIS) system

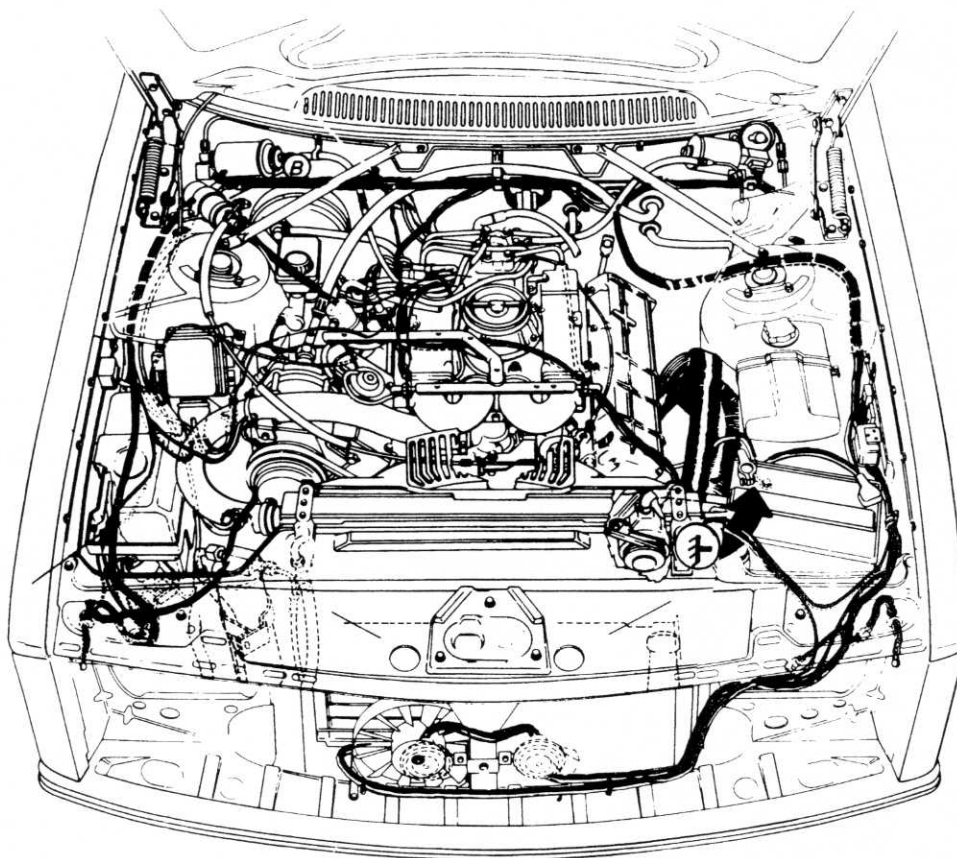
Wiring harnesses



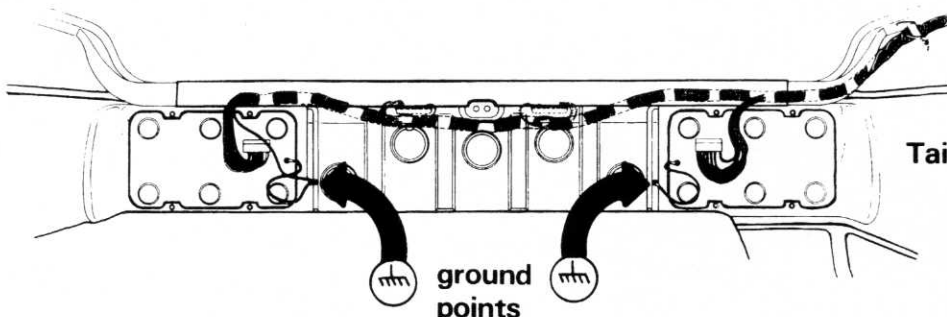
Main wiring harness



Instruments, controls



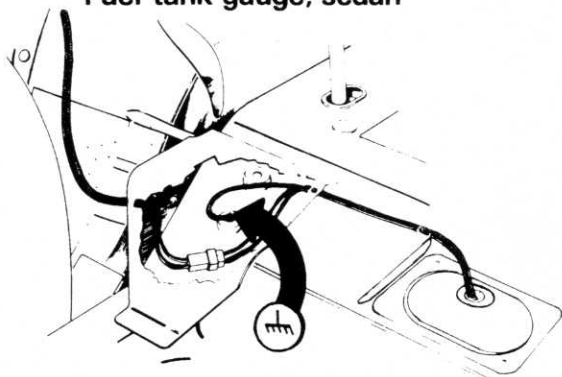
Engine compartment



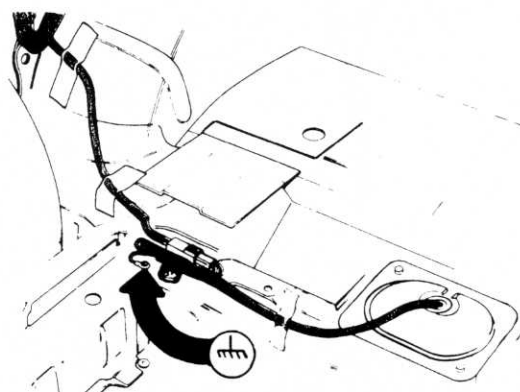
Tail lights

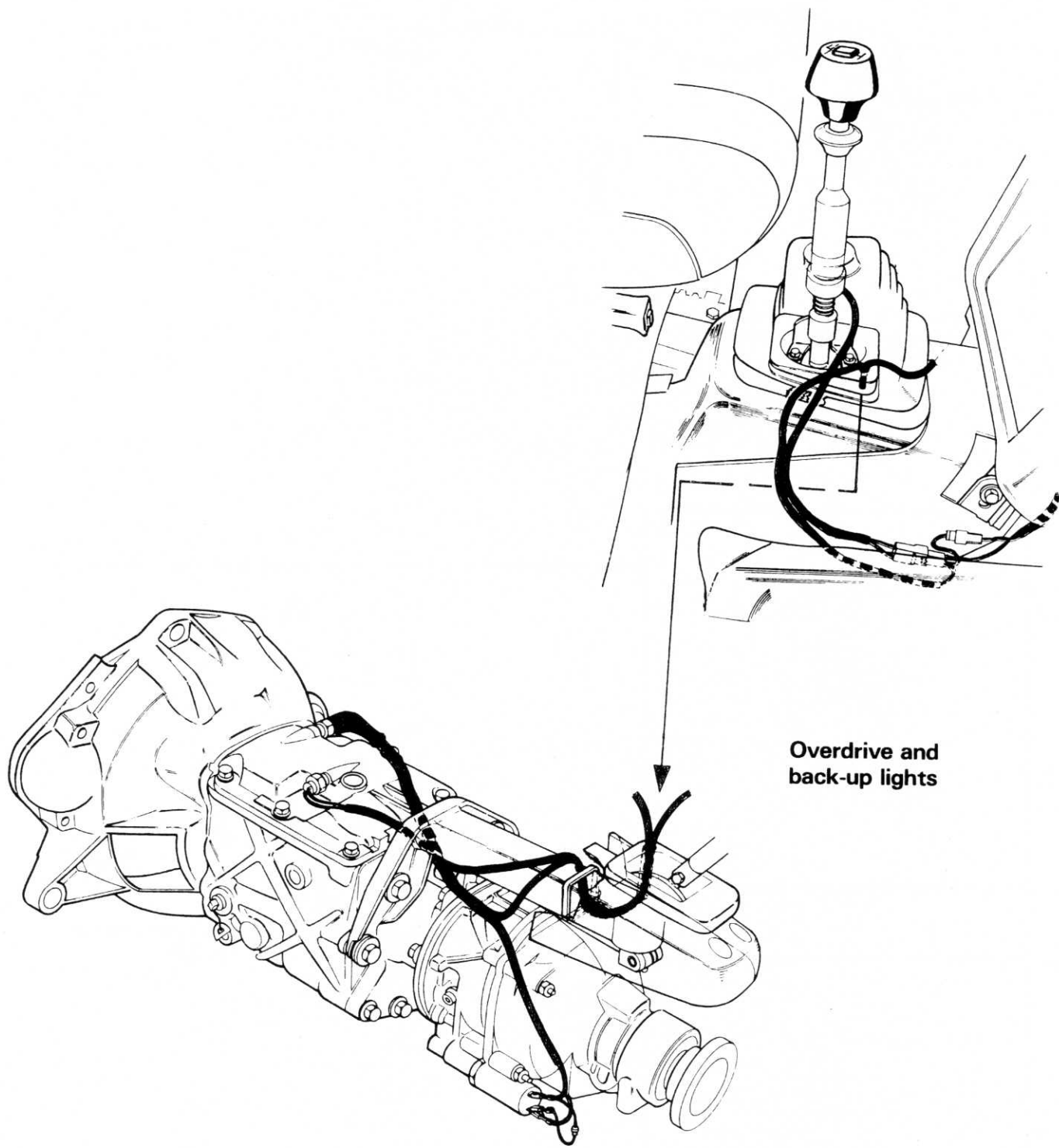
ground points

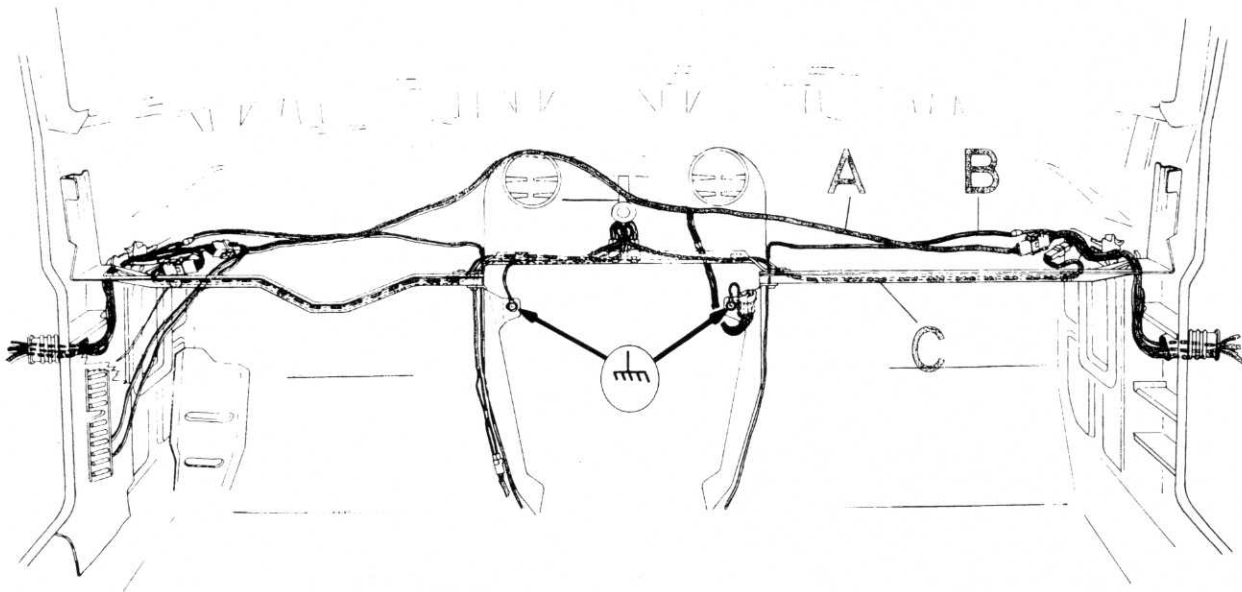
Fuel tank gauge, sedan



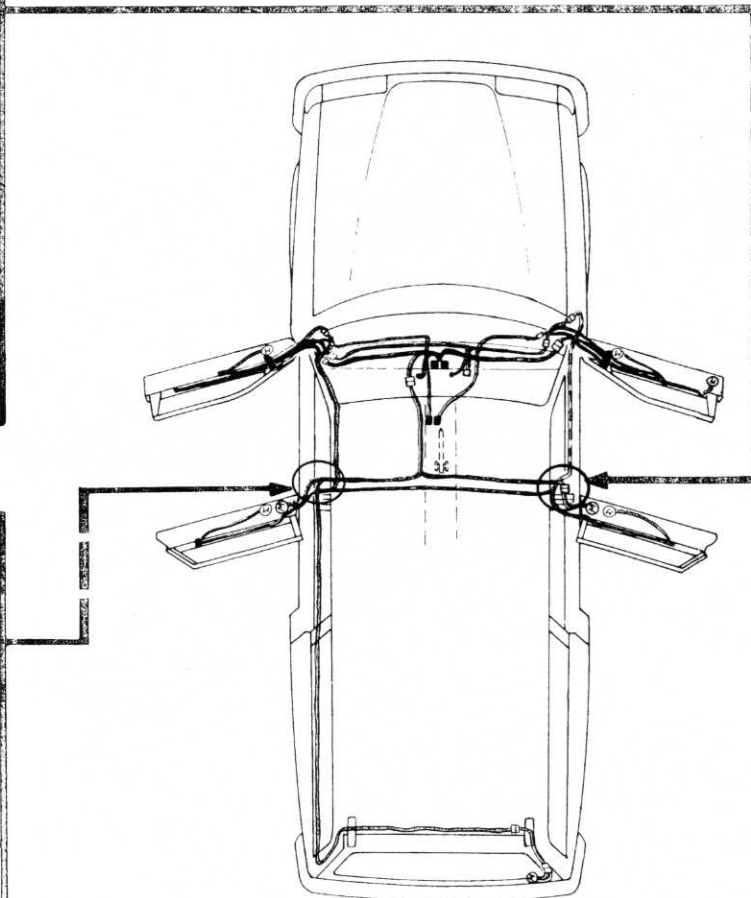
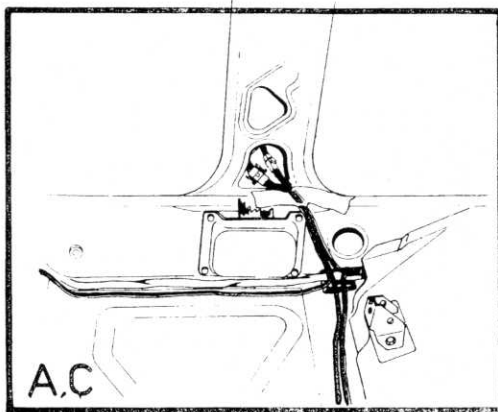
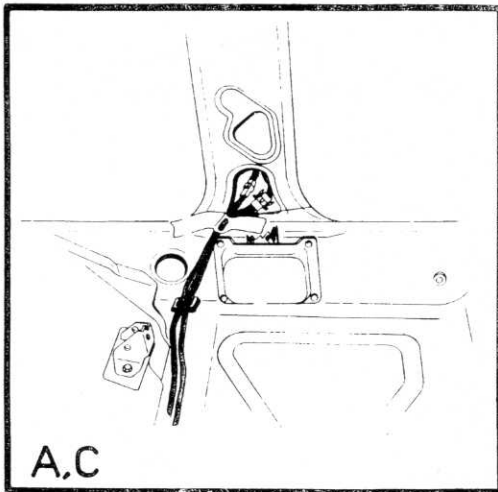
Fuel tank gauge, wagon







- A Window lifts
- B Electrically operated side mirrors
- C Central locks



Master wiring diagram

In the wiring diagrams, the number after the color indicator states the approximate wire gauge.

Contents

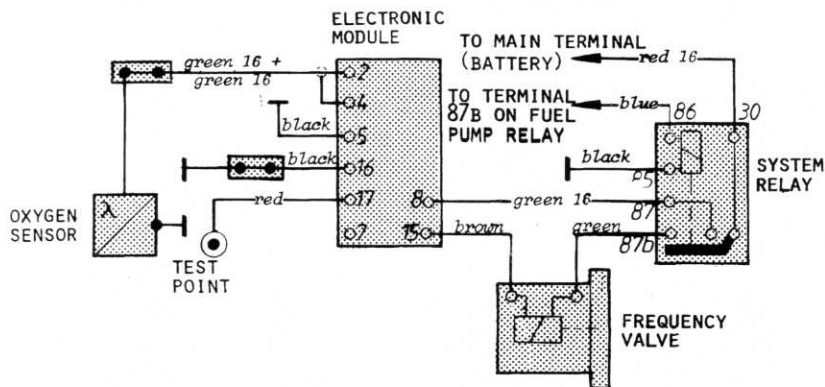
	<i>Page</i>
Lambda-sond System: – B21F, B21F-MPG	156
B21F-Turbo	
B28F	
Overdrive	157
Constant Idle Speed System (CIS System)	
Spark Control Ignition System, B21F-MPG	
Diesel, glow plug circuits	
Instrument cluster	158
Instrument connector	
Additional instruments, B21F-Turbo	159
Additional instruments, B23E	
Control panel lights, lights on accessories	
Interior light	160
Rear interior light, wagon	
Delayed interior light	
Window lifts: – 2-door	161
– 4-door	
Central lock: – 2-door	162
– 4-door	
Tail gate window wiper, wagon	163
Back-up light, automatic transmission	
Heater blower	164
Air conditioning	
Electric cooling fan	
Cruise control	165
Seat belt reminder system	
Passenger seat heater, rear cigarette lighter	
Radio/ antenna	166
Electric trunk lid opener	
Electrically operated side mirrors	
Master wiring diagram	Fold-out sheet.

Alphabetical index

Zone locations refer to grid system on fold-out sheet.

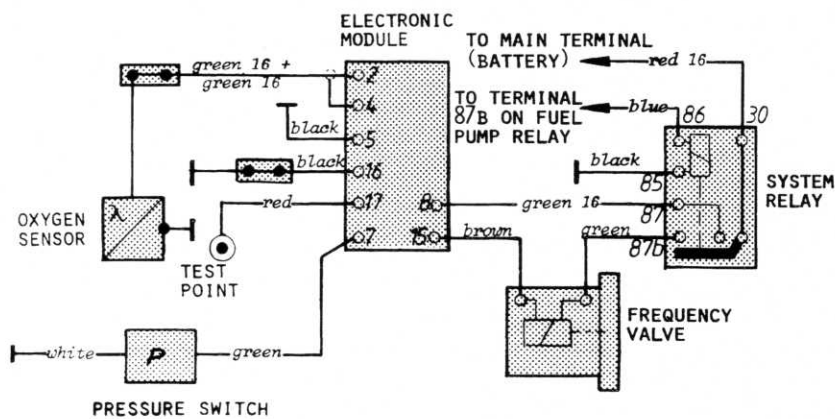
Name	Zone location	Page	Name	Zone location	Page
AC system		164	Ignition coil	B3	
Alternator	B1		Ignition switch	D4	
Ash tray light		159	Ignition electronic module	B4	
Automatic transmission		163	Ignition system, B21F-MPG		157
Auxiliary air valve	A3		Impulse relay	A1	
			Instruments:		
Back-up lights	C9, G9		- B21F-Turbo		159
- Wagon	D10, G10		- B23E		159
Ballast resistor	B3		Indicator lights		158
Battery	B1		Instrument connectors		158
Blower		164	Instrument lights		158
Brake failure switch		158	Interior light		160
Brake lights	C9, G9		Interval relay, wiper	B7	
Brake light switch	G5		- Tail gate window wiper		163
Bulb failure sensor	G4				
Buzzer		165	Lambda system		156
			License plate light	E9	
Carburetor solenoid (Canada)	F3		- Wagon	E10	
Central lock		162	Light switch	F2	
Cigarette lighter	C4				
Clock		158	Mirrors		166
Cold start injector	A2				
Connectors, instrument		158	Overdrive solenoid, switch		157
Constant Idle Speed System		157	Oxygen sensor system		156
Control panel lights		159			
Control pressure regulator	A2		Parking lights, front	D1, G1	
Cruise control		165			
			Radio		166
Delayed interior light		160	Rear demist	D7	
Distributor	A4		Relay, upper/lower beam	G3	
Door switches	E3		Remote starter pick-up	C4	
			Rheostat, instr, lights		159
Electric cooling fan		164			
El. heated rear window	D7		Seat belt control light:		
El. operated door mirrors		166	- Front	C7	
Engine compartment light		159	- Rear	B6	
			Seat belt lock light	B8	
Flasher unit	E7		Seat belt reminder		165
Fuel gauge		158	Seat heater	D7	
Fuel pump	A2		Senders, for gauges		158
Fuel pump relay	B2		Sensor, bulb failure	G4	
Fuse box	E4		Side mirrors		166
			Solenoid (carburetor, diesel)	F3	
Gear shift light		159	Spark plugs	A4	
Glove box light	G7		Starter motor	A1	
Heater system		164			
Horns	D2				

Name	Zone location	Page	Name	Zone location	Page
Switches:			Tachometer		158
- Back-up light			Tail lights	C9, G9	
● Manual transmission	F7		- Wagon	D10, G10	
● Automatic transmission		163	Thermal time switch	A2	
- Blower		164	Trunk lid opener		166
- Brake light	G5		Trunk light	E8	
- Brake failure		158	Turn signal, front	D1, G1	
- Door	E3		- Rear	C9, G9	
- Hazard warning	E7		- Rear, wagon	D10, G10	
- Ignition	D4		Voltage regulator	B1	
- Interior lights		160	Voltage stabilizer		158
- Overdrive		157	Washer, tail gate window		163
- Pressure (Turbo)	C2		- Windshield	B9	
- Rear demist	D8		- Window lifts		161
- Seat belt	A6, A7		Wiper motor:		
- Seat heater	E7		- Tail gate window		163
- Tail gate wiper/washer		157	- Windshield	B9	
- Trunk lid opener		166			
- Turn signal	F7				
- Windshield wiper/washer ..	B8				



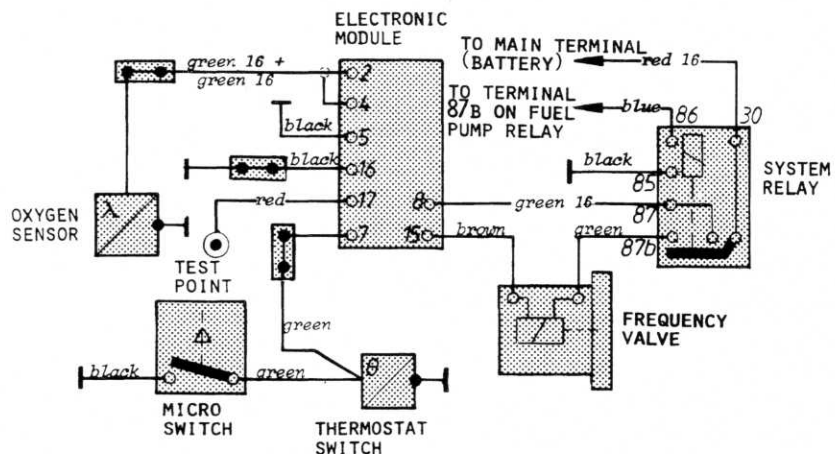
**Lambda-sond System
B21F-MPG**

130576



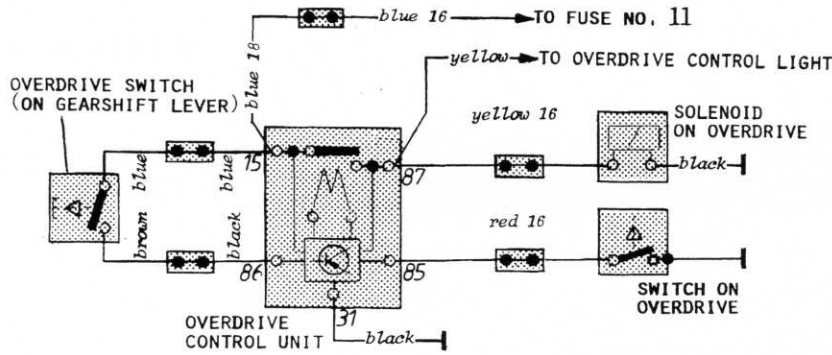
**Lambda-sond System
B21F-Turbo**

130577



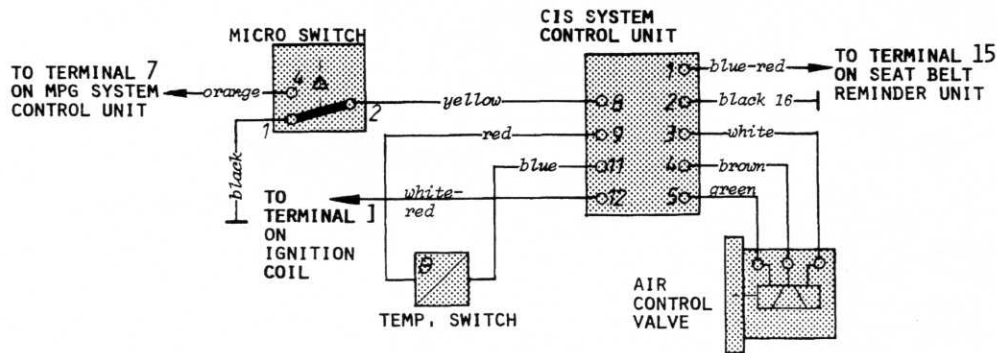
**Lambda-sond System
B21F
B28F**

130578



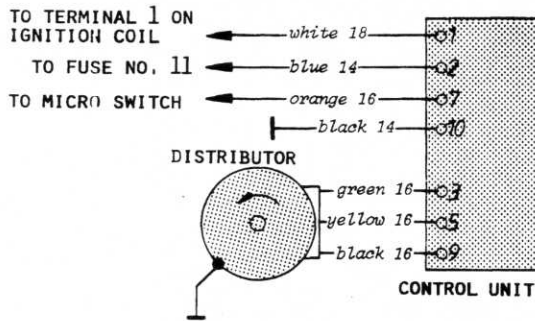
Overdrive

130579



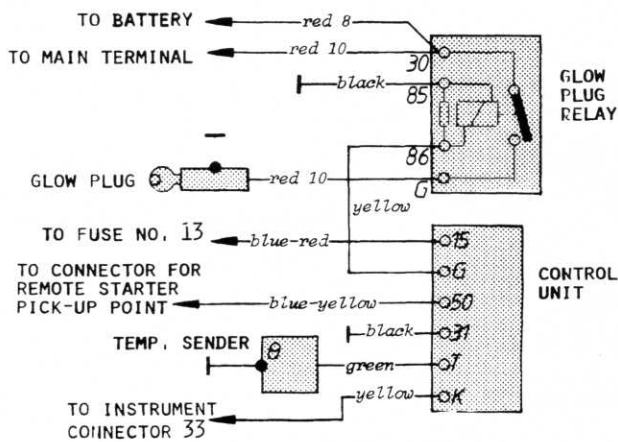
Constant Idle Speed System (CIS System)

130580



Spark Control Ignition System B21F-MPG

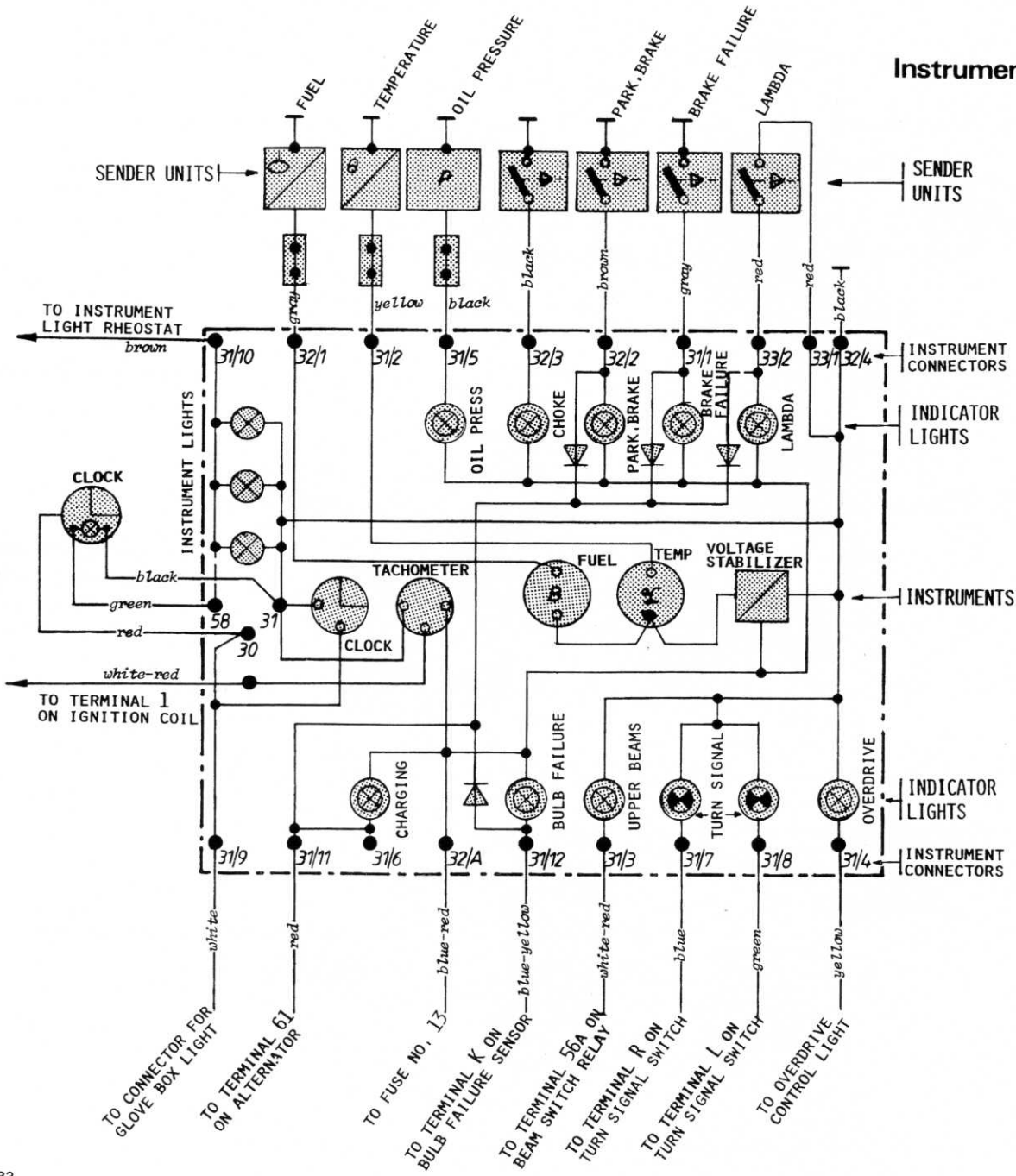
130581



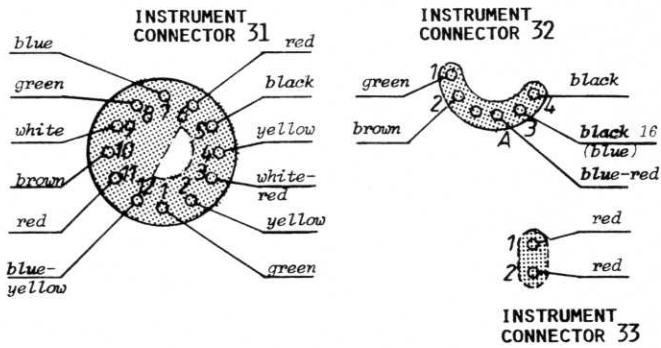
Diesel, glow plug circuits

130582

Instruments



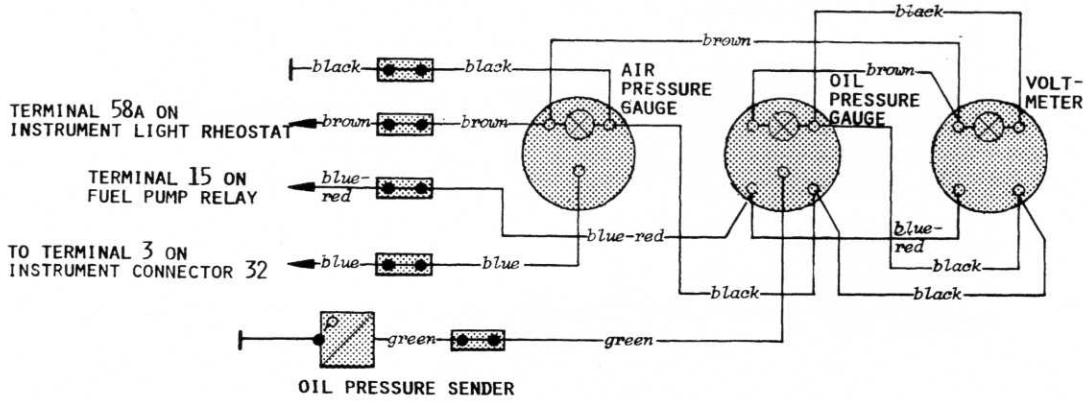
130583



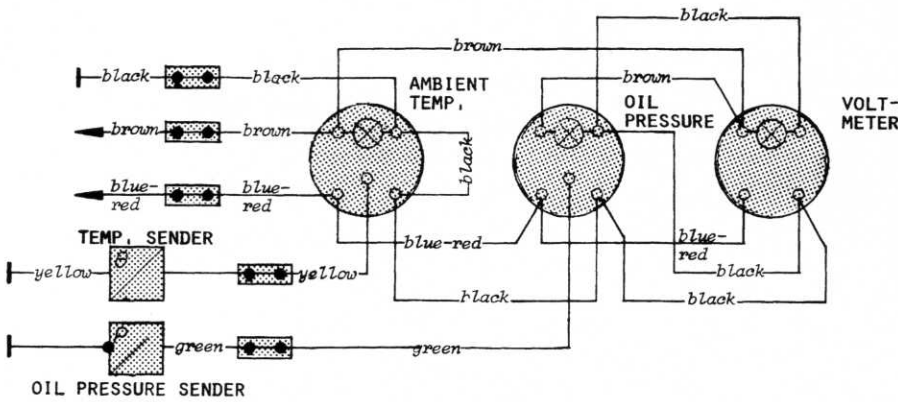
Instrument connector

130584

Additional instruments, B21F-Turbo

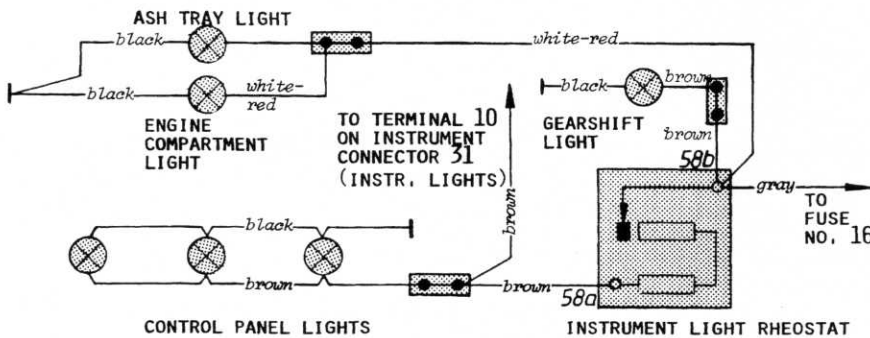


130585



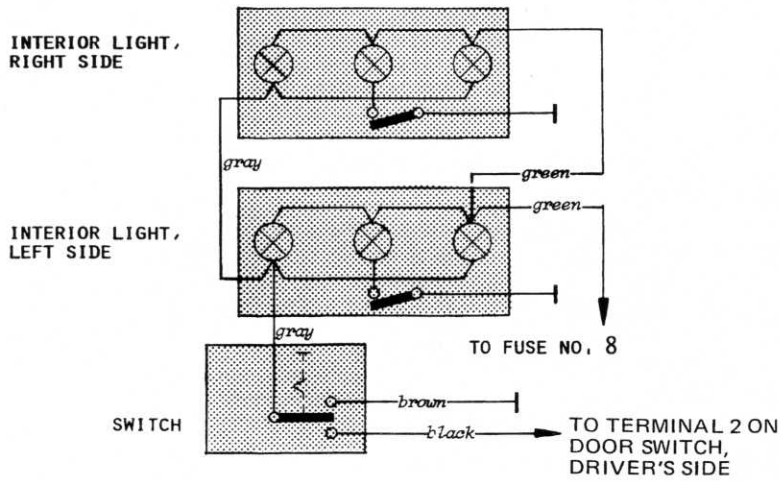
Additional instruments, B23E

130586



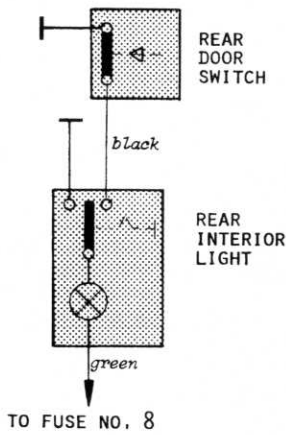
Control panel lights,
lights on accessories

130587



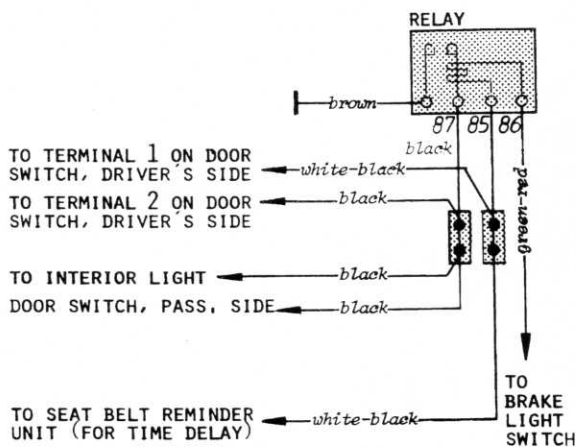
Interior light

130588



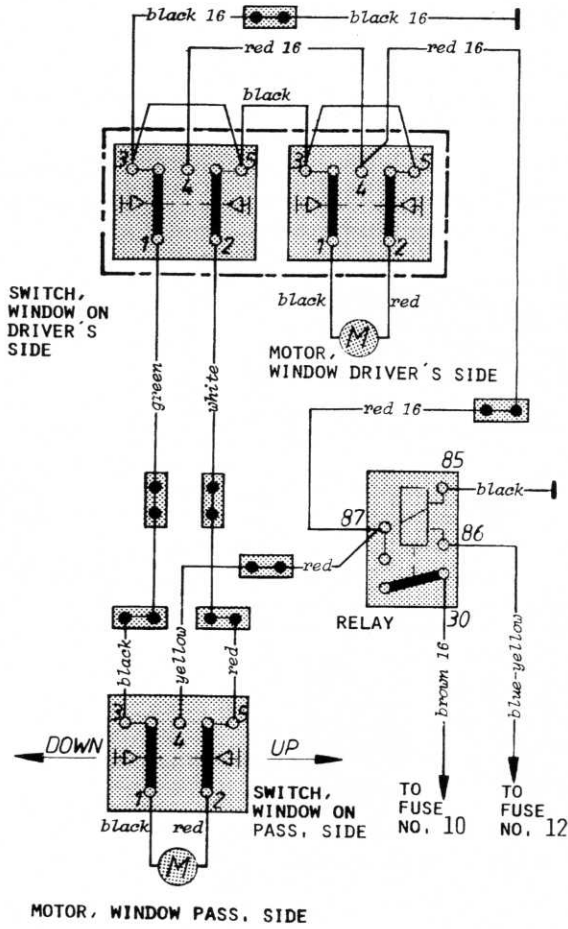
Rear interior light, wagon

130589



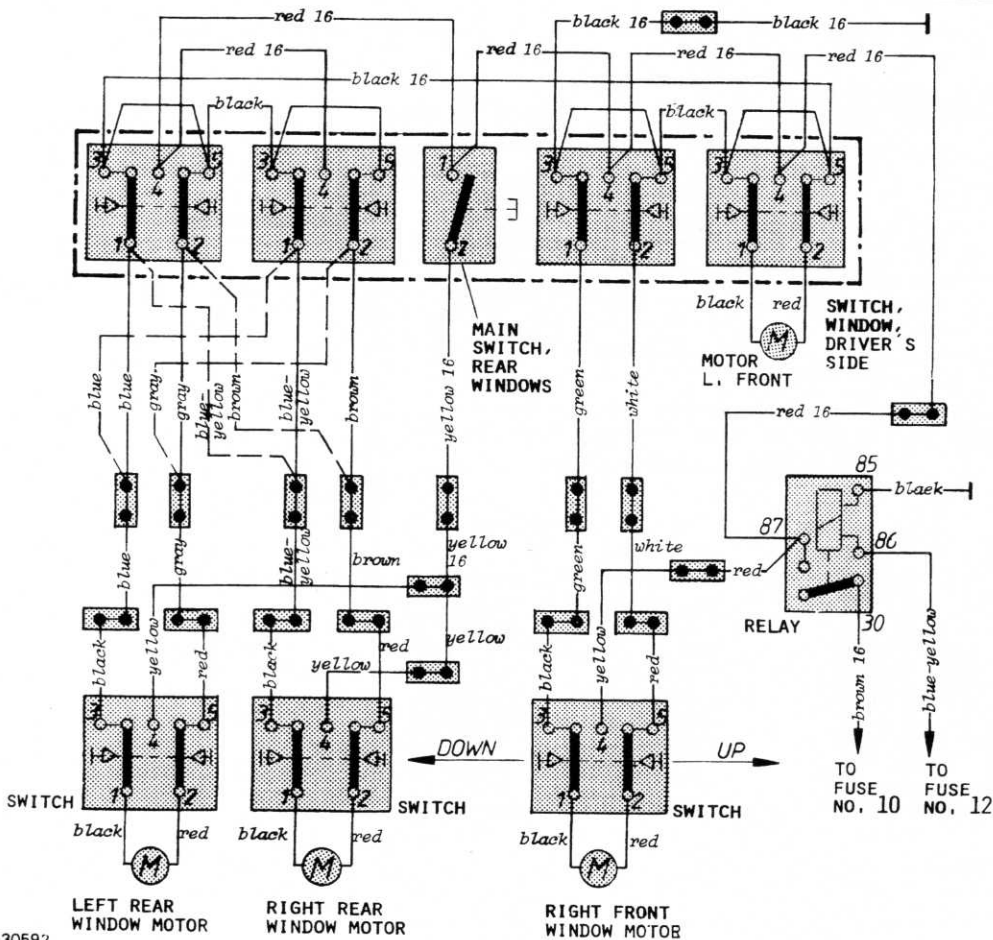
Delayed interior light

130590



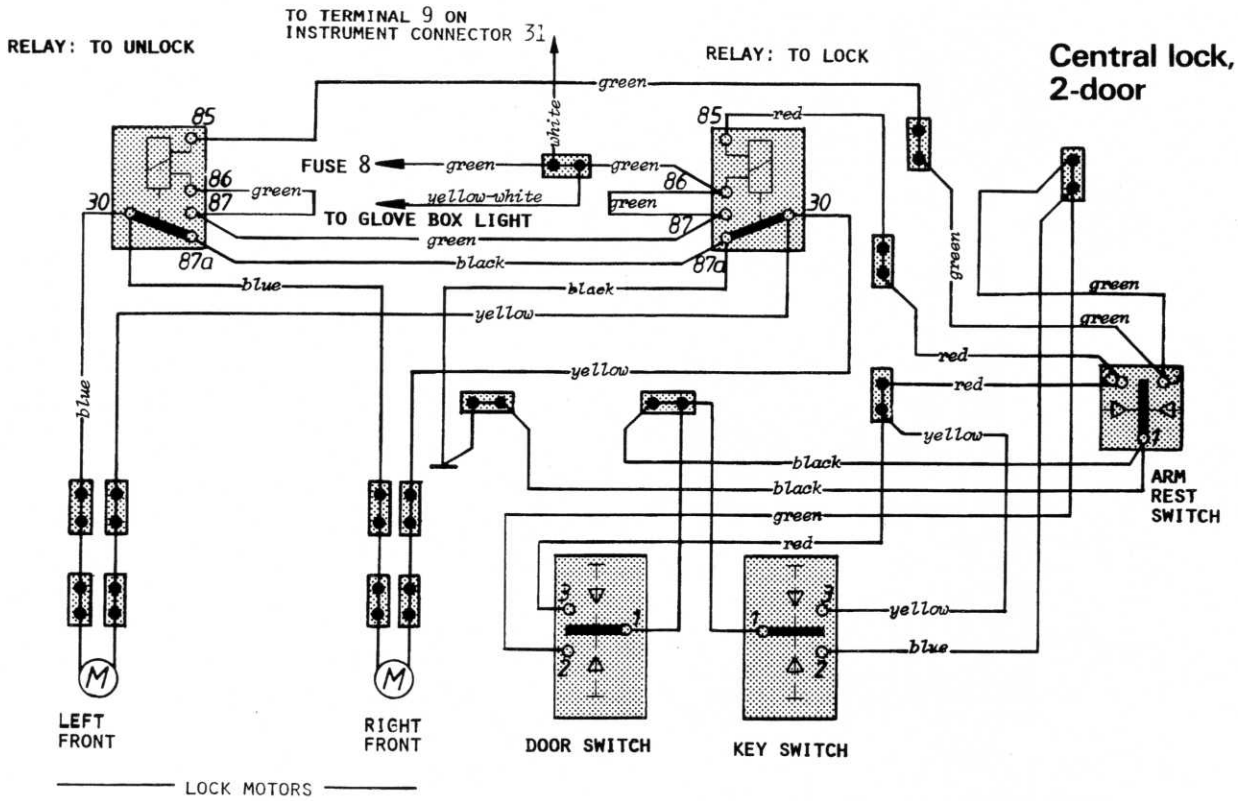
Window lifts,
2-door

130591

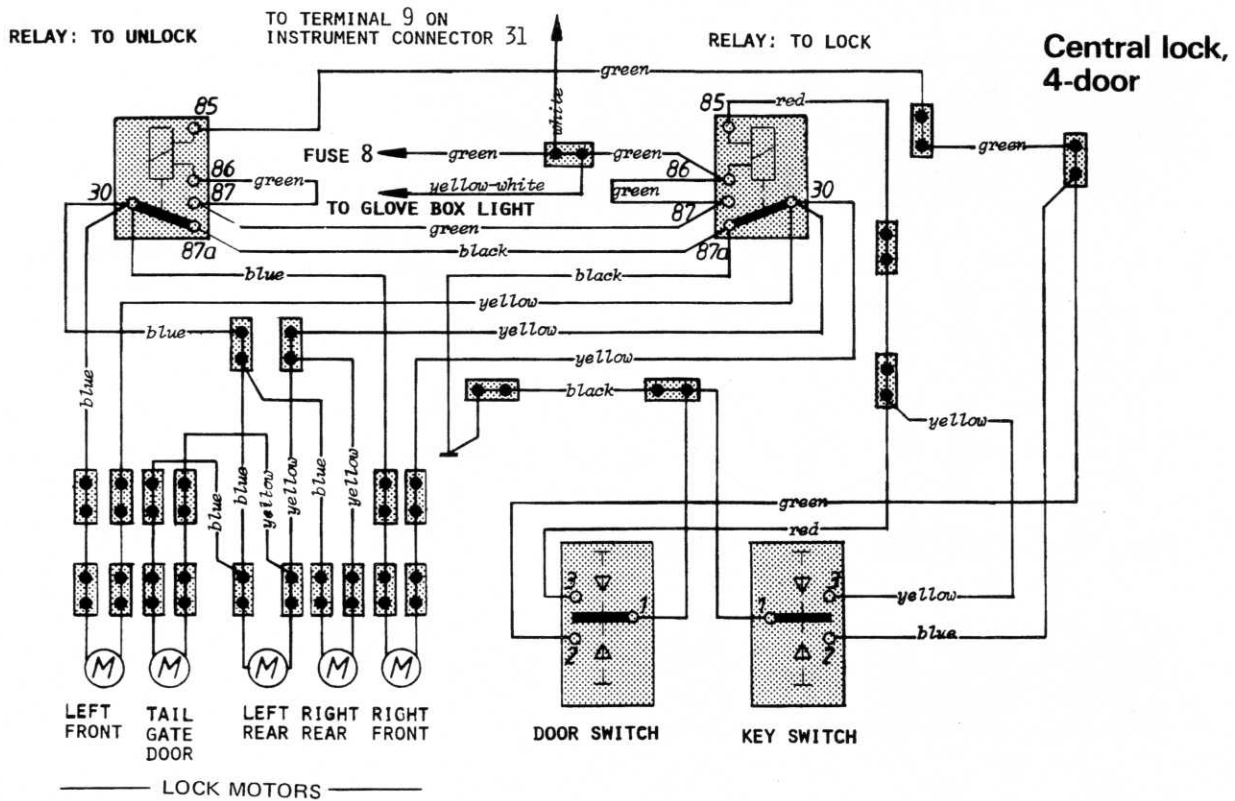


Window lifts,
4-door

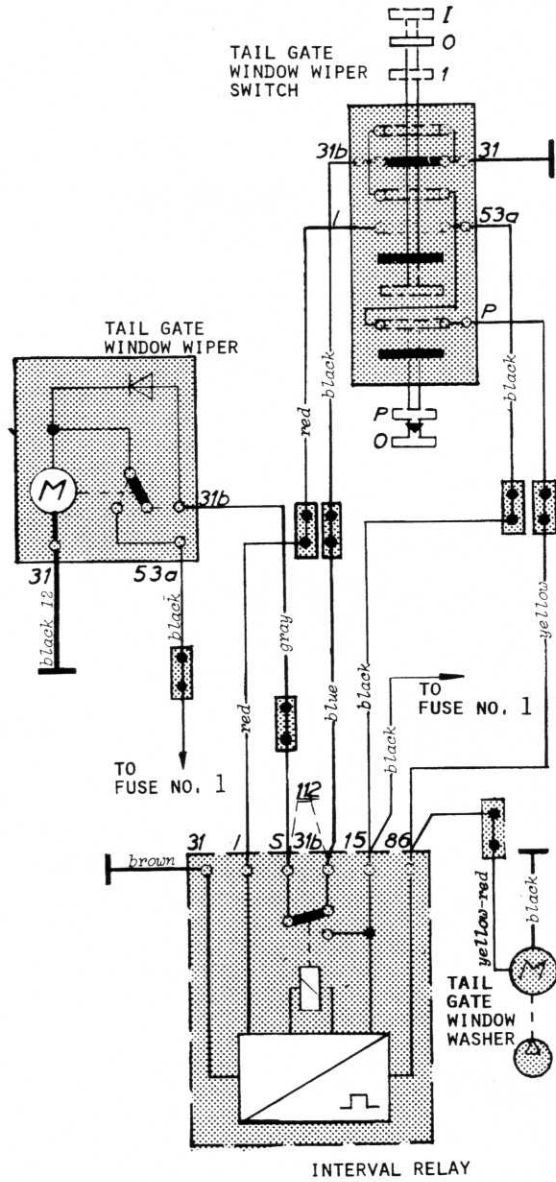
130592



130593

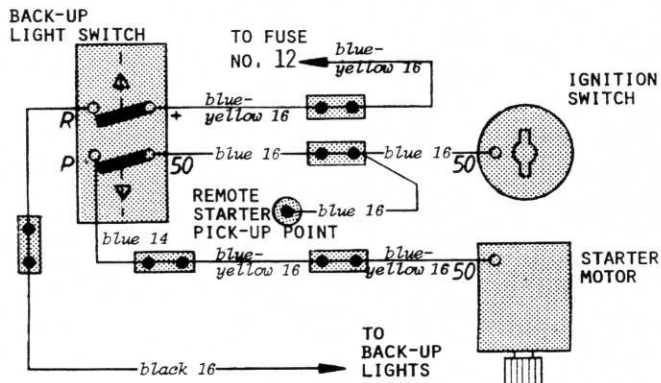


130594



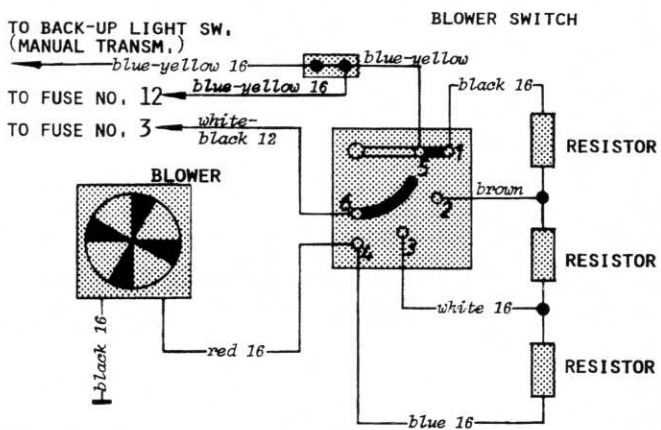
Tail gate window wiper, wagon

130595



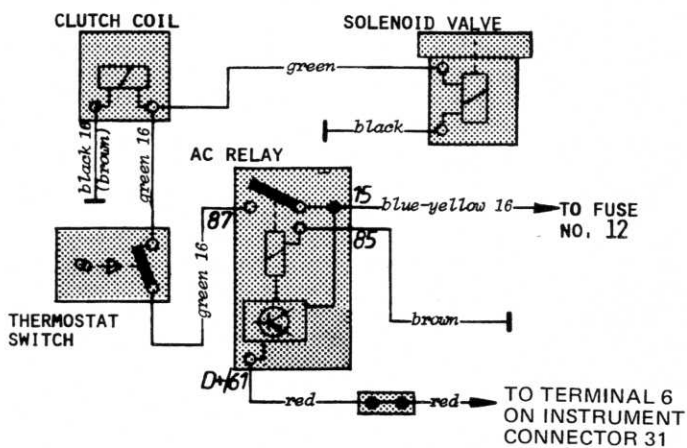
Back-up light, automatic transmission

130596



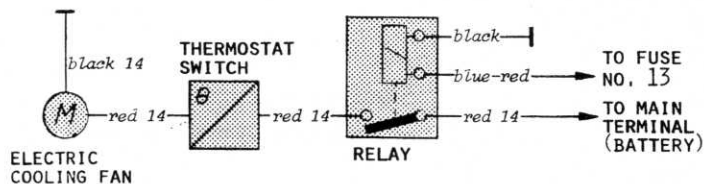
Heater blower

130597



Air conditioning

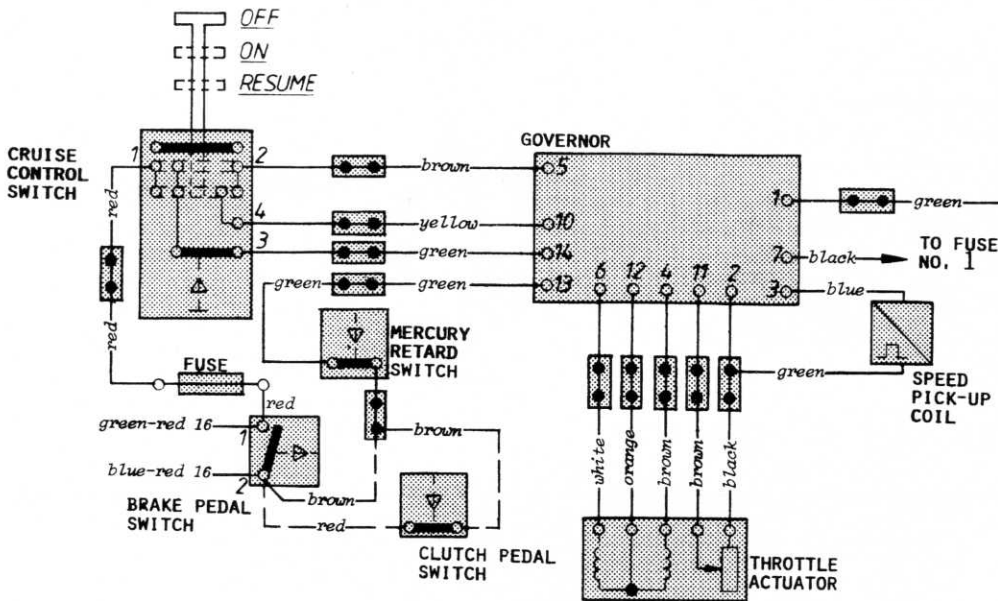
130598



Electric cooling fan

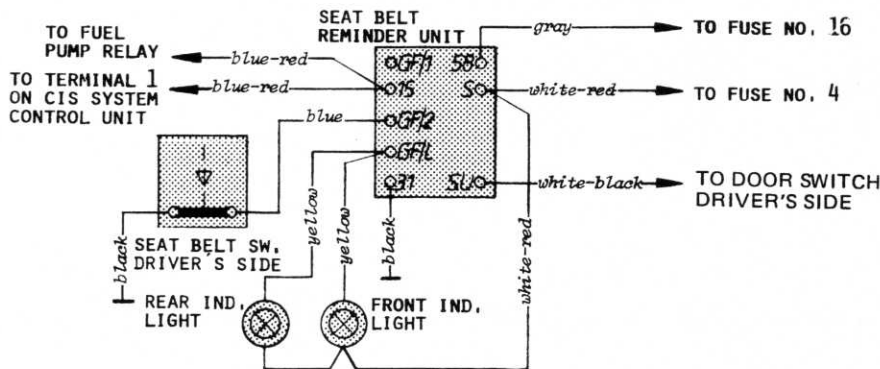
130599

Cruise control



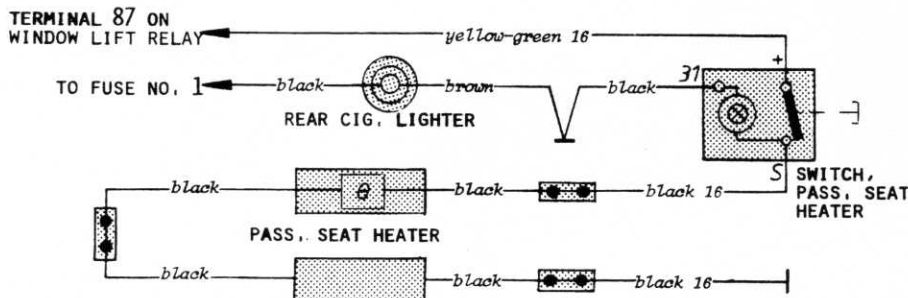
130600

Seat belt reminder system

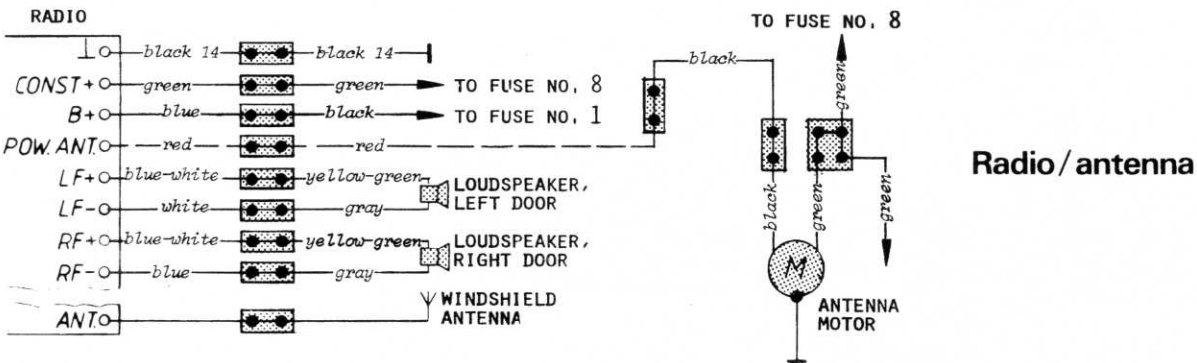


130601

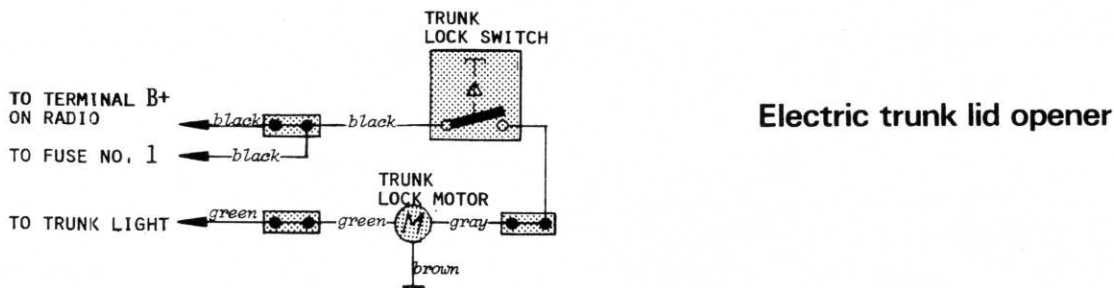
Pass. seat heater, rear cigarette lighter



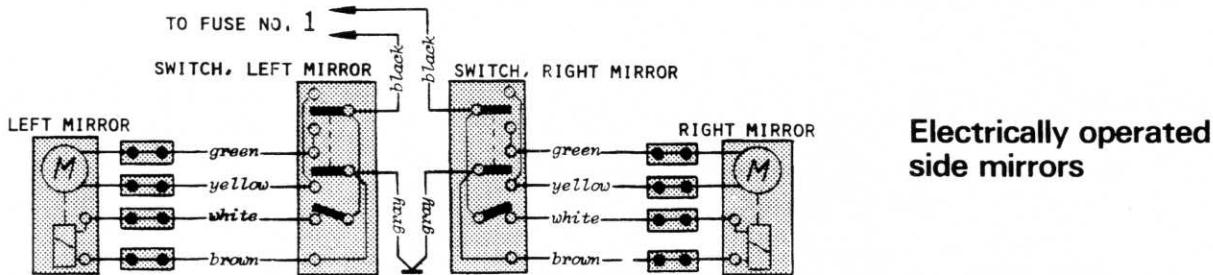
130602



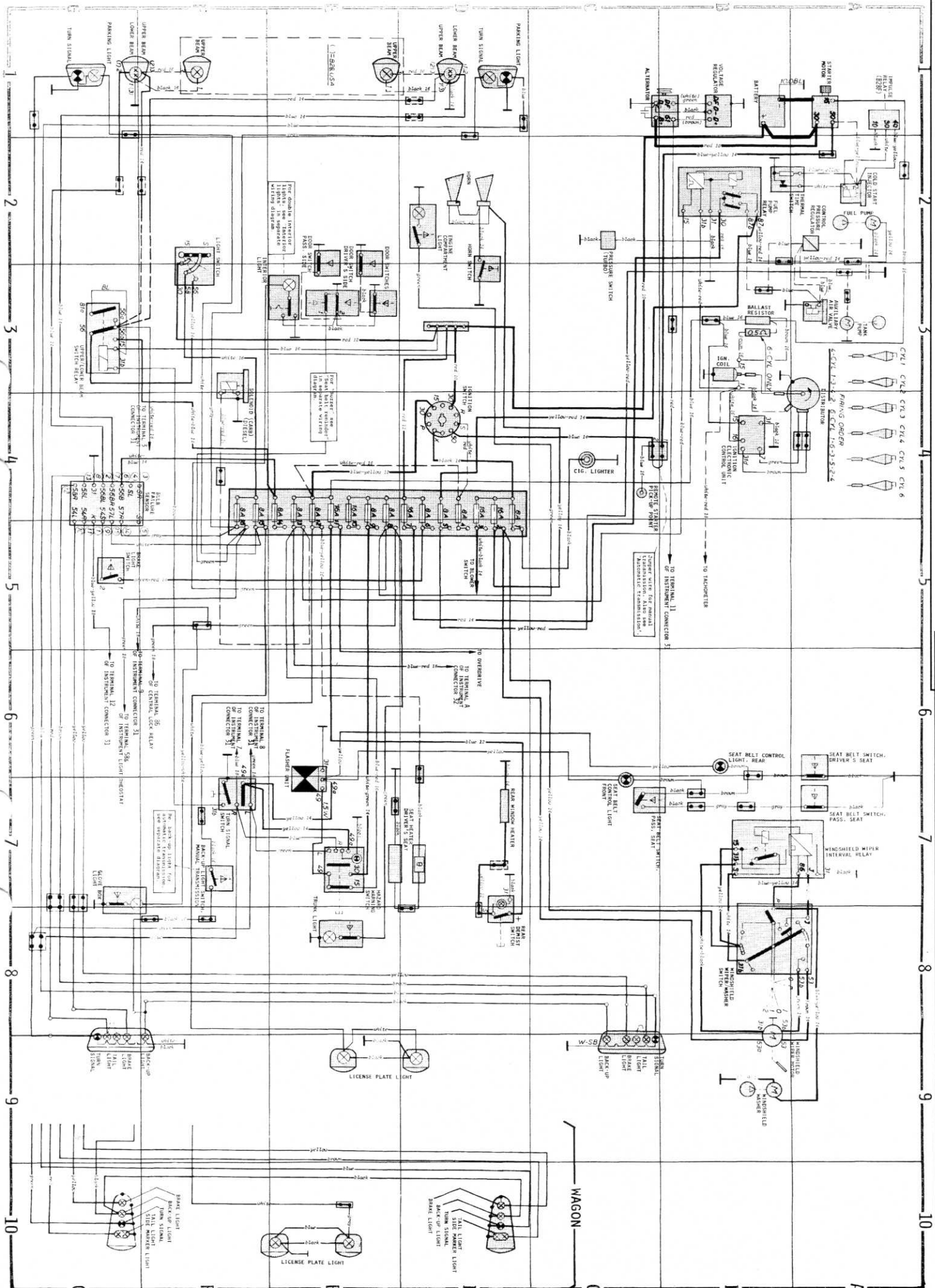
130603



130604



130605



2
3
4
5
6
7
8
9
10

2
3
4
5
6
7
8
9
10

A
B
C
D
E
F
G

WAGON



**VOLVO SUPPORTS VOLUNTARY
MECHANIC CERTIFICATION
BY THE N.I.A.S.E.**

(U.S.A. Only)

Index

Air conditioning	114	Ignition system:	
Alternator	6	– B21A (Canada)	22
Ambient temperature gauge	82	– B21F, B21F-Turbo (breakerless)	24
Back-up lights:		– B21F-MPG (computer controlled)	26
– DL, GL, manual transmission	50	– B28F	28
– DL, GL, automatic transmission	56	Ignition key and light warning buzzer ...	94
– GLE, GLT, Coupe, manual transmission	52	Instrument cluster	76
– GLE, Coupe, automatic transmission	58	Instrument lights, lights on controls	74
– Wagon, manual transmission	54	Interior light	62
– Wagon, automatic transmission	60	– Rear, wagon	64
Brake failure warning system	90	– Delayed	66
Brake lights:		– Coupe	68
– DL, GL	44	Lambda-sond (oxygen sensor system):	
– GLE, GLT, Coupe	46	– B21F	16
– Wagon	48	– B21F-Turbo	18
Bulb failure warning system	88	– B28F	20
Buzzer, key and light warning	94	License plate lights = parking lights	
Central lock:		Light warning buzzer	94
– 4/5-door	130	Master wiring diagrams	153
– Coupe	134	Mirrors, electrically operated	124
Cigarette lighter	86	Oil pressure gauge	78
Clock	84	Overdrive	110
Constant Idle Speed (CIS) System:		Oxygen sensor = Lambda-sond system	
– B21F, B21F-MPG	30	Parking lights:	
– B21F-Turbo	32	– DL, GL	38
– B28F	34	– GLE, GLT, Coupe	40
Cruise control	138	– Wagon	42
Delayed interior light	66	Radio, antenna	142
Demist, rear	118	Rear demist	118
Diesel	10	Rear interior light, wagon	64
Engine compartment light	70	Seat belt warning system	92
Electrically operated side mirrors	124	Seat heater:	
Electric cooling fan	144	– Driver's seat	120
Fuel injection system:		– Passenger seat	122
– B21F	12	Starting circuits	8
– B28F	14	– Diesel	10
Glove box light	72	Tail gate window wiper and washer:	
Glow plugs	10	– with interval relay	106
Hazard warning flashers	96	– without interval relay	108
Heater blower	112	Tail lights:	
Horn	100	– DL, GL	38
		– GLE, GLT, Coupe	40
		– Wagon	42
		Trunk light	70
		Turn signals, hazard warning flashers ..	96
		– Wagon	98
		Voltmeter	80
		Window lifts:	
		– 2-door	126
		– 4-door	128
		Windshield wiper and washer	102

VOLVO

TP 30316/1

4.500.9.81
Printed in U.S.A.