

Wiring Diagrams

240 -1977 and 1978

Section	Group
3	39

Wiring diagrams
240 Series
1977 and 1978
Models

VOLVO

Contents

		Page
Fuses and related circuits	1977	2
	1978	3
How to use the diagrams		4
Group 24: Fuel system		
CI fuel injection system	1977	6
	1978	8
Oxygen sensor feedback system	1977	10
	1978	12
Group 32: Alternator		
Main wiring harness	1977-78	14
Group 33: Starter		
Starting circuits	1977-78	16
Group 34: Ignition		
Breakerless electronic ignition system	1977-78	18
Group 35: Lighting		
Headlights	1977	20
	1978	22
Parking lights, tail lights, license plate lights	1977-78	24
License plate light - 245	1977-78	26
Brake lights	1977	28
	1978	30
Back-up lights, manual transmission	1977-78	32
Back-up lights, automatic transmission	1977-78	34
Instrument lights, lights on controls	1977-78	36
Glove box light	1977-78	38
Interior light	1977-78	40
Rear interior light - 245	1977-78	42
Engine compartment light, trunk light	1977-78	44
Group 36: Electrical standard equipment		
Turn signals, hazard warning flashers	1977	46
	1978	48
Horn	1977-78	50
Windshield wiper and washer	1977	52
	1978	54
Tail gate window wiper and washer - 245	1977-78	58
Cigarette lighter	1977-78	60

Group 38: Instruments

		Page
Bulb failure warning system	1977	62
	1978	64
Seat belt warning system	1977	66
	1978	68
Instrument cluster	1977-78	70
Clock	1977-78	72

Miscellaneous

Overdrive	1977-78	74
Window lifts - 2-door		76
Window lifts - 4-door		78
Rear demist	1977-78	80
Electrically operated side mirrors		82
Electrically heated driver's seat		84
Heater blower	1977-78	86
Heater blower (certain Canadian models)	1977-78	88
Air conditioning	1977	90
	1978	92
Radio, power antenna		94
Cruise control		96

Master wiring diagram

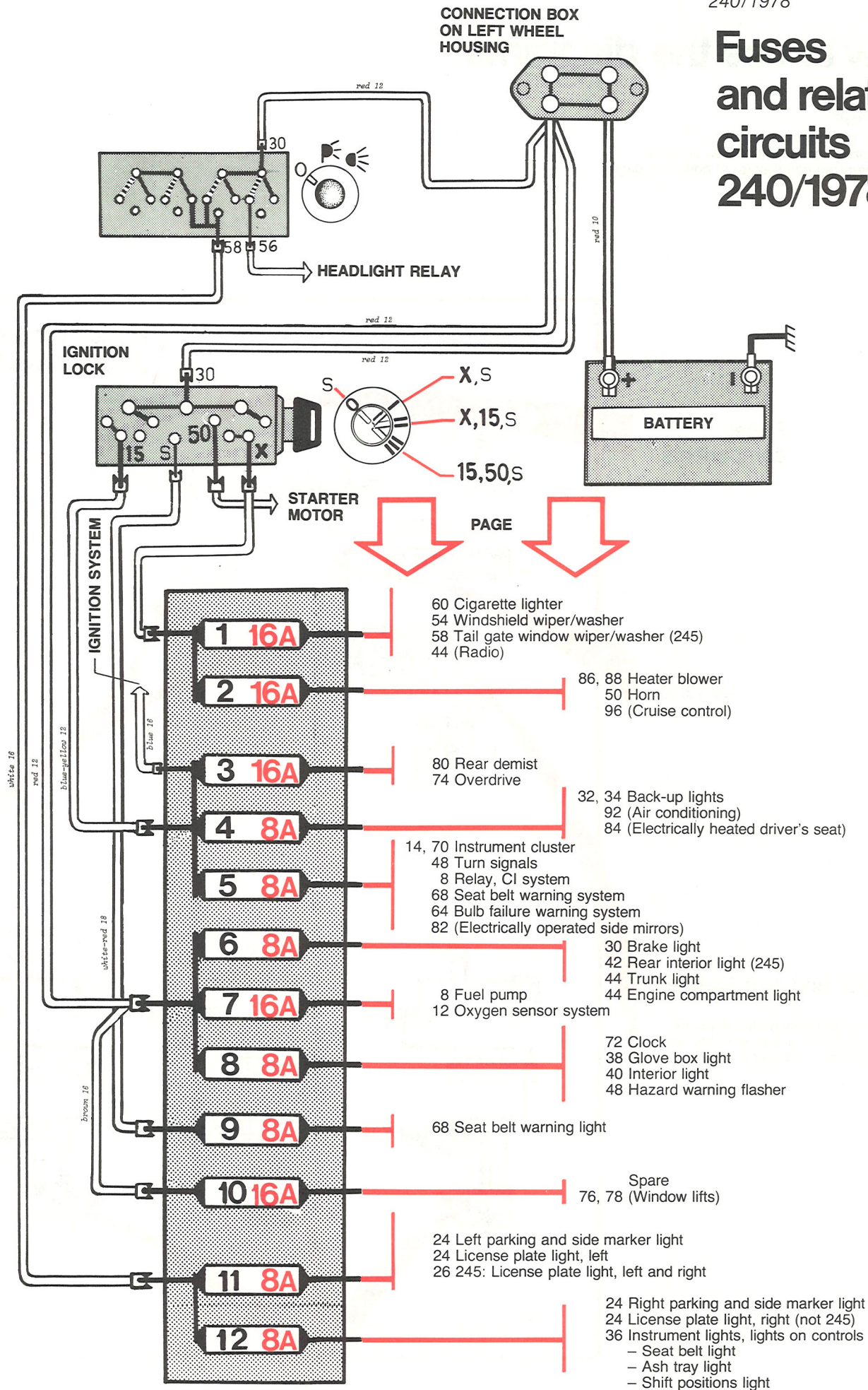
1978	100
------	-----

TP 12045/1

3000 12.78

Printed in U.S.A.

Fuses and related circuits 240/1978



How to use the diagrams

Left page

Illustrates the **electrical circuit**.
De-energized condition is shown at top of page. Energized condition(s) at bottom of page.

Fused components

Legend

Wire color and size (gauge).

Note:
Where conversion from metric does not correspond to actual gauge size, the next larger gauge size is indicated.

Heater blower
240/1977 and 1978

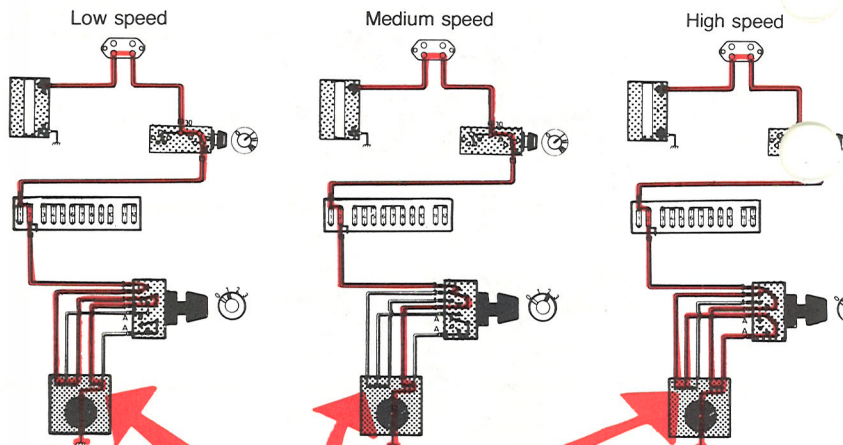
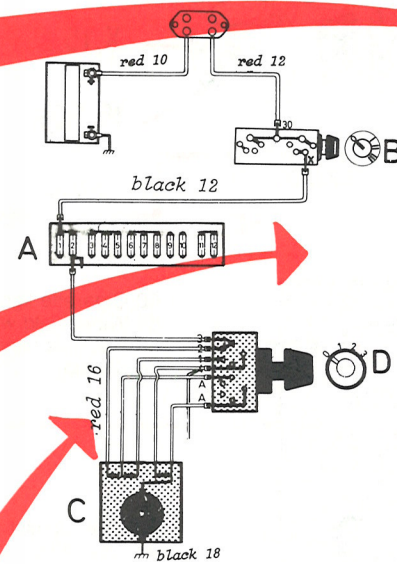
Heater blower
240/1977 and 1978

1977: fuse No. 2
Heater blower
Horn
Windshield wiper/washer

1978: fuse No. 2
Heater blower
Horn
Radio

Legend:

- A Fuse box
- B Ignition lock
- C Blower motor
- D Switch



Group 39
Wiring diagrams

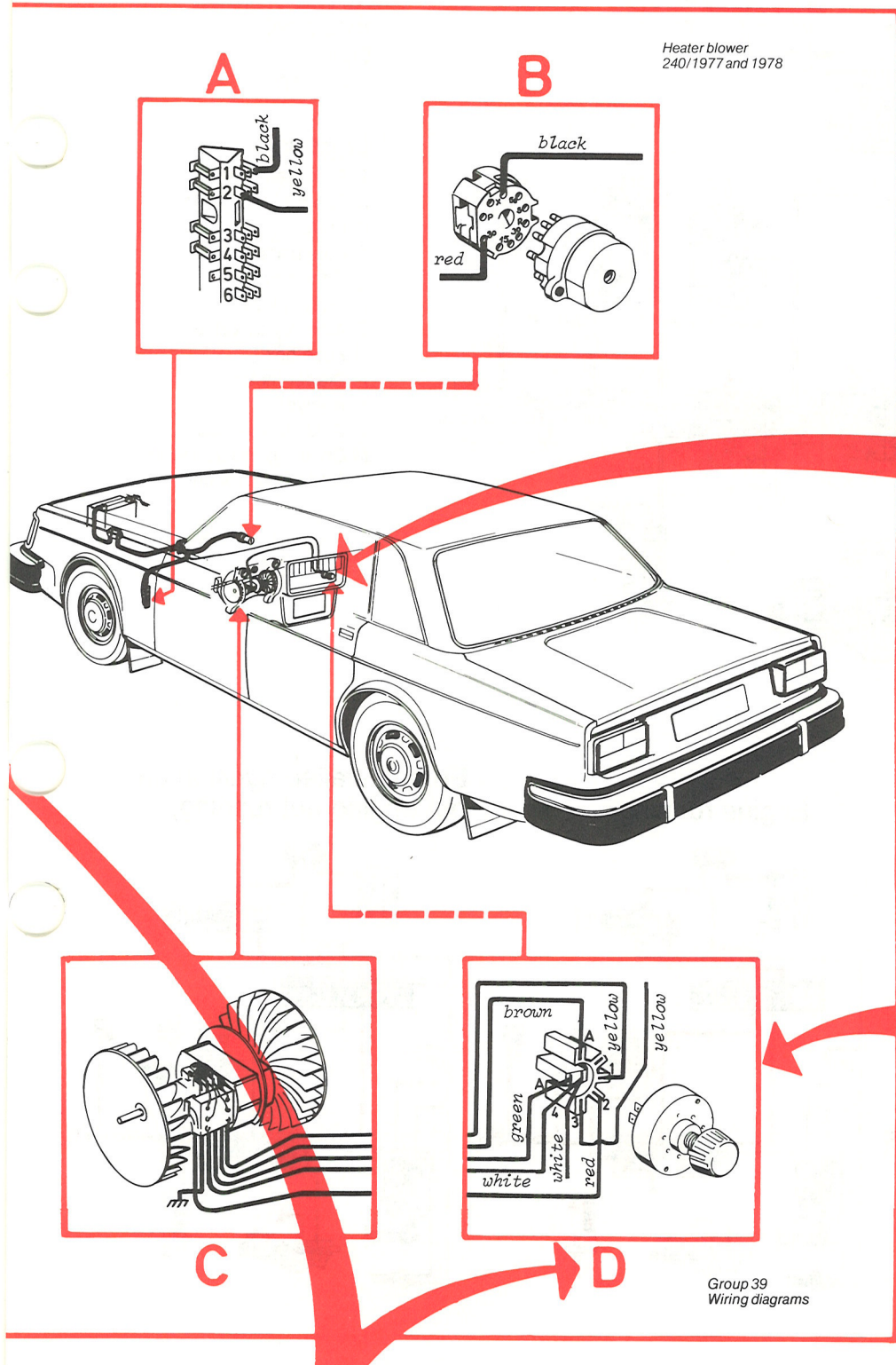
Current flow in
energized condition

How to use the diagrams

Right page

Illustrates the physical location of the components in the vehicle and the exact routing of the wiring harness. Each component is shown with terminals and connections.

Start here



Heater blower
240/1977 and 1978

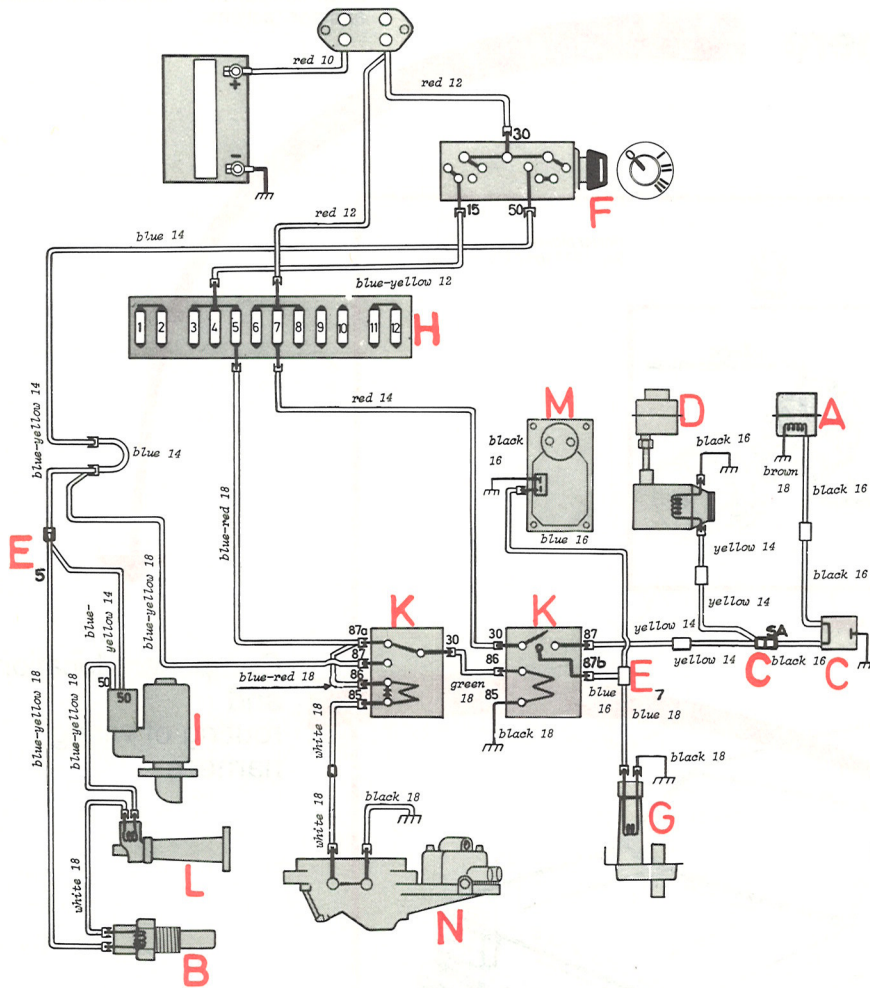
Component location
and
routing of wiring
harness

Component terminals
and
wire connections

Letters facilitate referencing
components on either page

Group 39
Wiring diagrams

CI fuel injection system 240/1977



Fuse No. 5
Instrument cluster
Turn signals
Relay, CI system

Fuse No. 7
Clock
Fuel pump

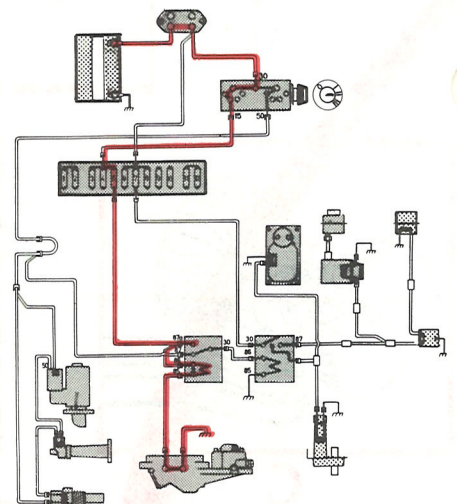
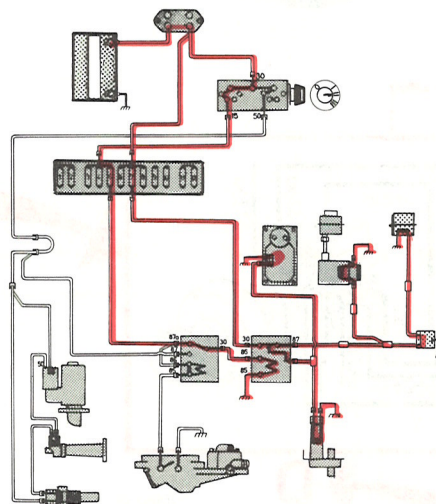
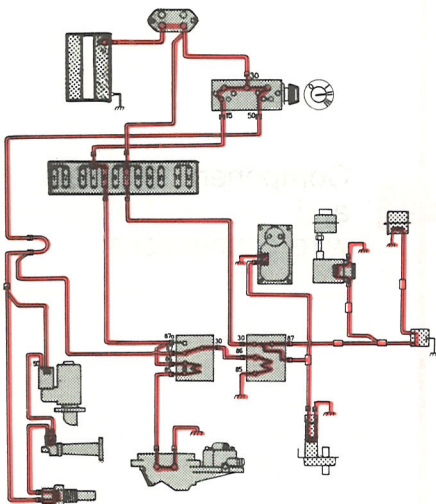
Legend:

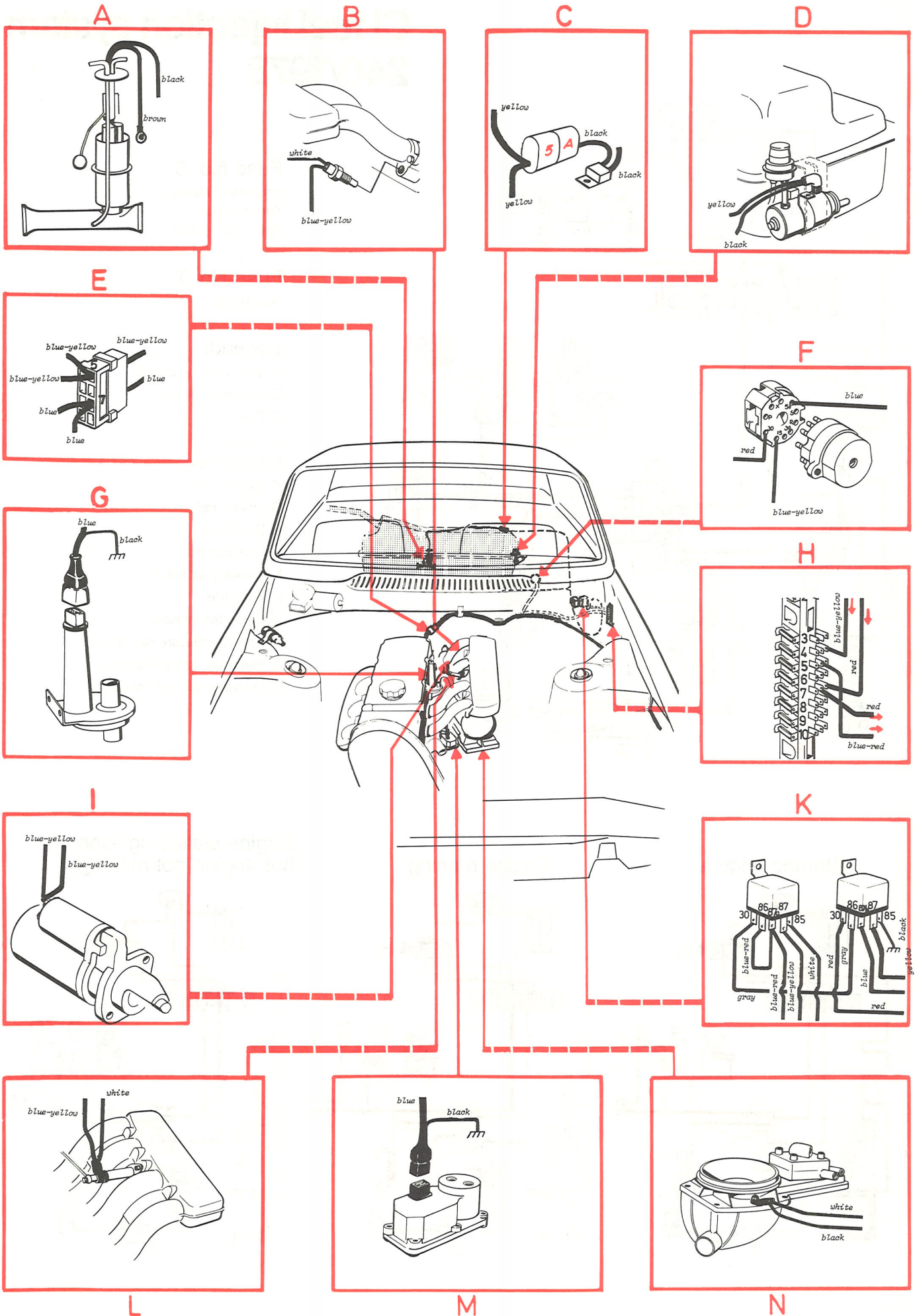
- A Fuel feed pump
- B Thermal time switch
- C Fuse
- D Fuel pump
- E Connector
- F Ignition lock
- G Auxiliary air valve
- H Fuse box
- I Starter motor
- K Relays
- L Cold start injector
- M Control pressure regulator
- N Air/fuel control unit

Starting engine

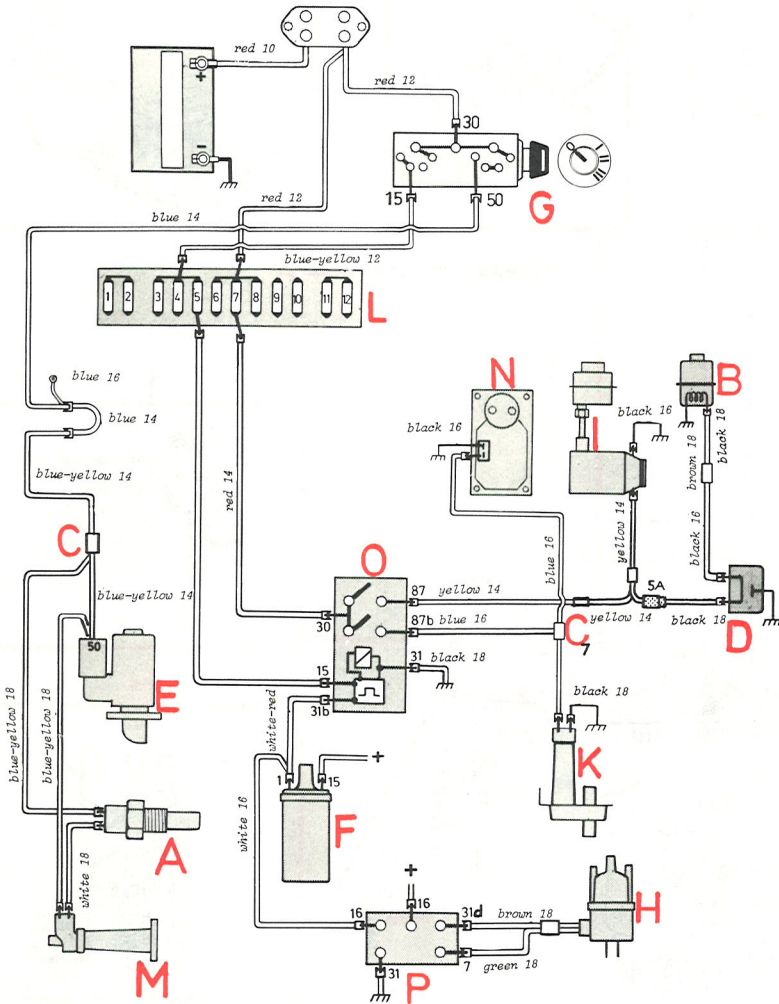
Engine running

Engine stalled (ignition on, but engine not running)





CI fuel injection system 240/1978



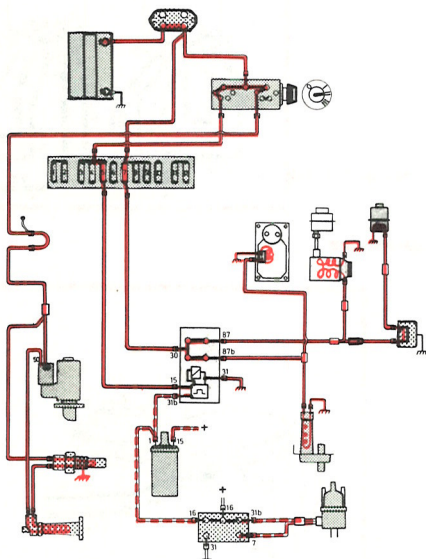
Fuse No. 5
Instrument cluster
Turn signals
Relay, CI system

Fuse No. 7
Fuel pump

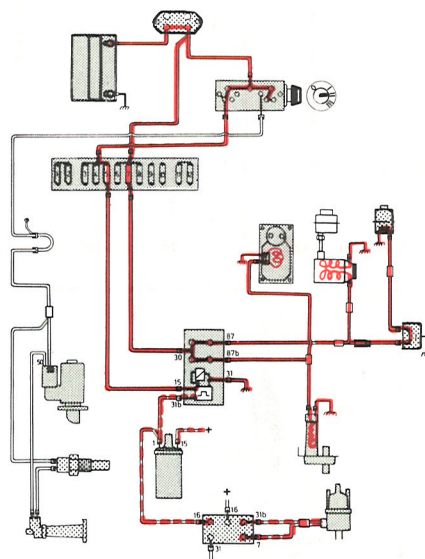
Legend:

- A Thermal time switch
- B Fuel feed pump
- C Connector
- D Fuse
- E Starter motor
- F Ignition coil
- G Ignition lock
- H Distributor
- I Fuel pump
- K Auxiliary air valve
- L Fuse box
- M Cold start injector
- N Control pressure regulator
- O Electronic fuel pump relay
- P Ignition electronic module

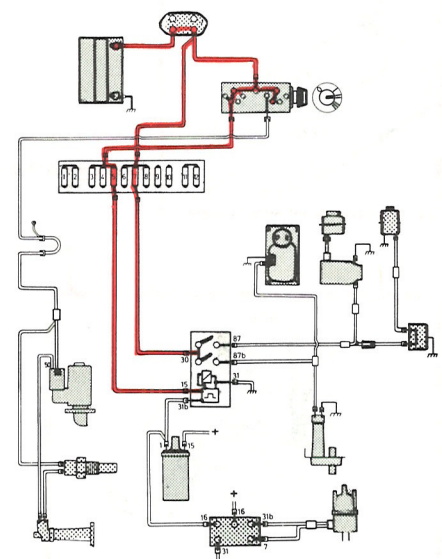
Starting engine

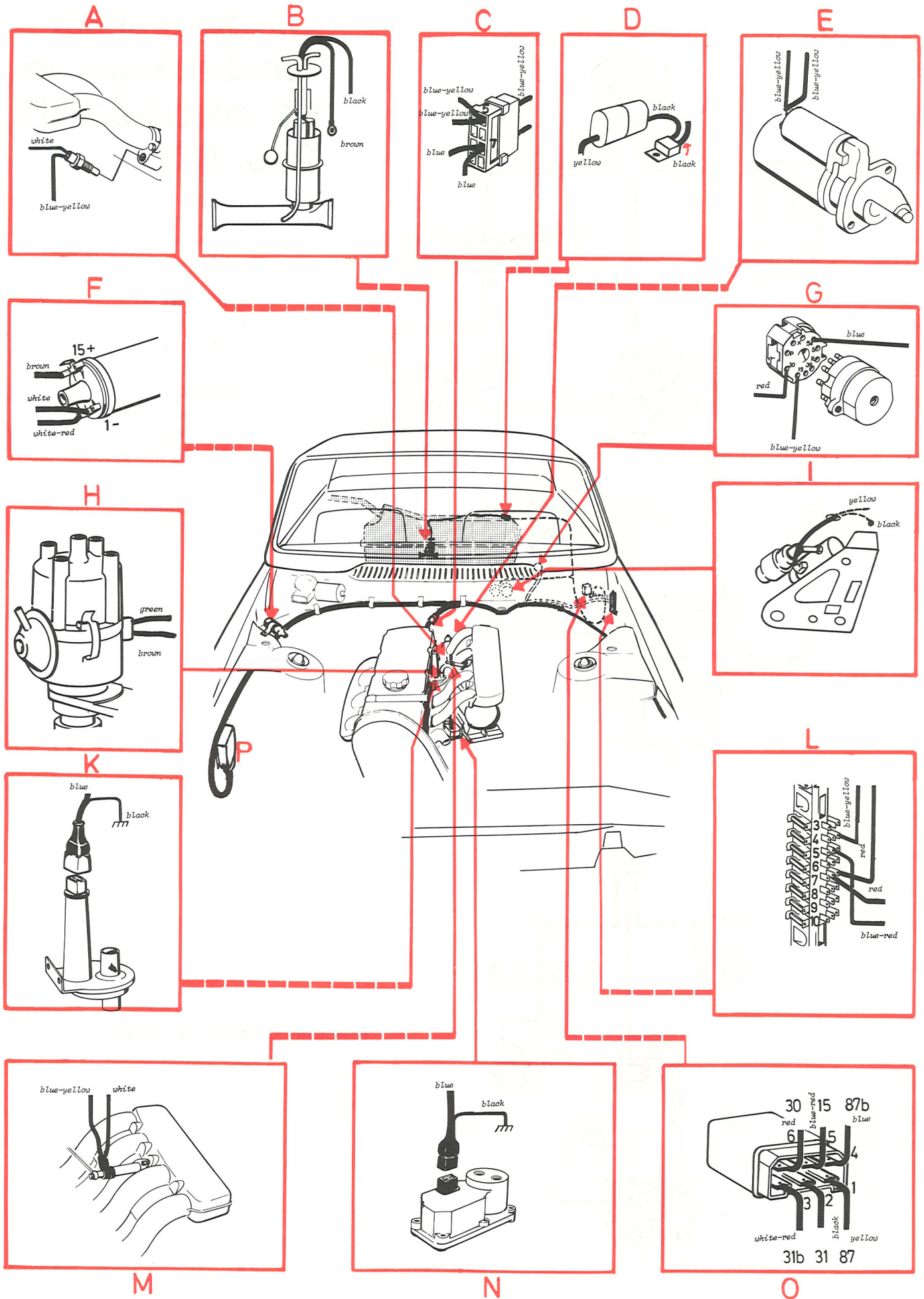


Engine running

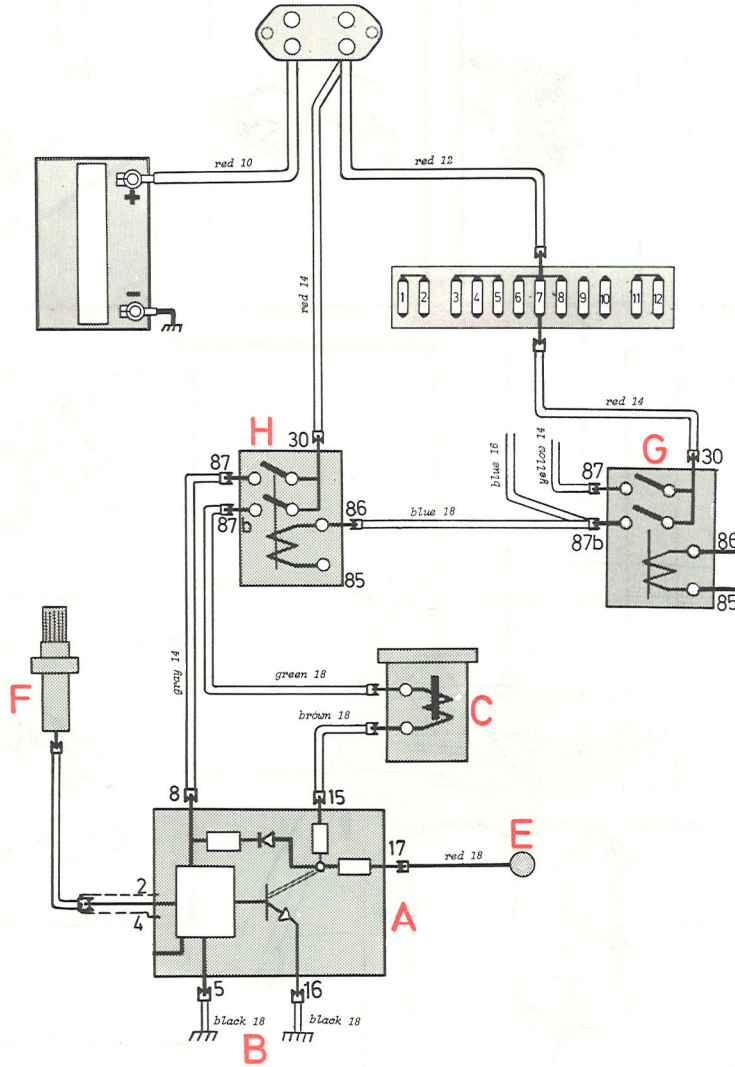


Engine stalled (ignition on, but engine not running)



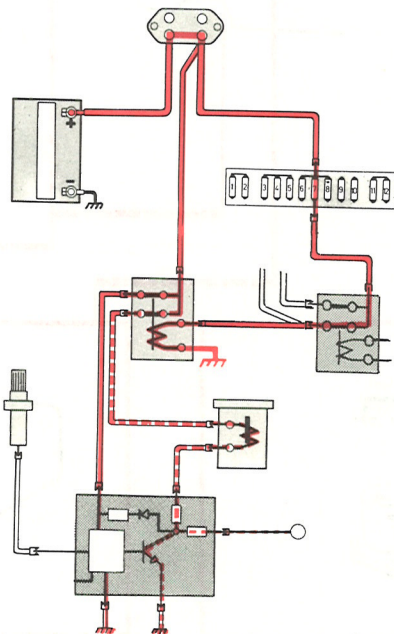


Oxygen sensor feedback system ("Lambda-sond") 240/1977



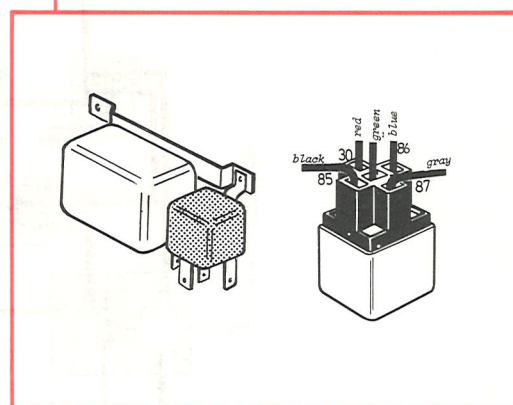
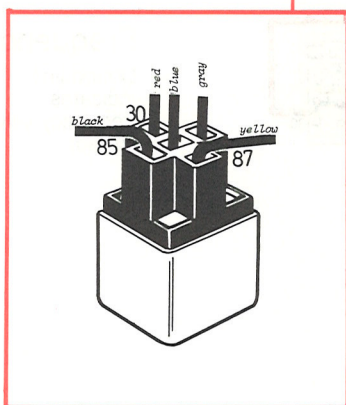
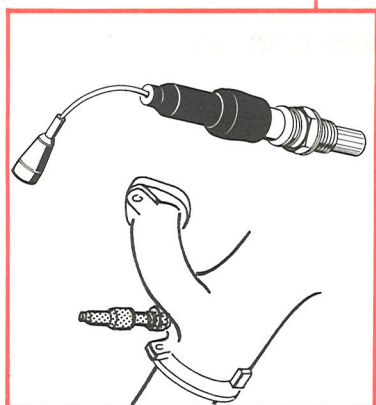
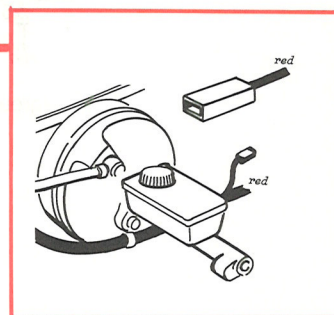
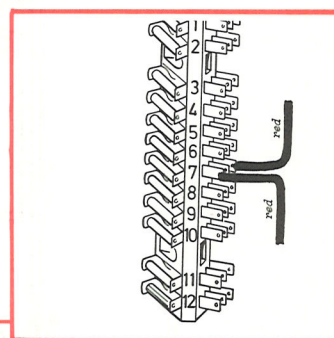
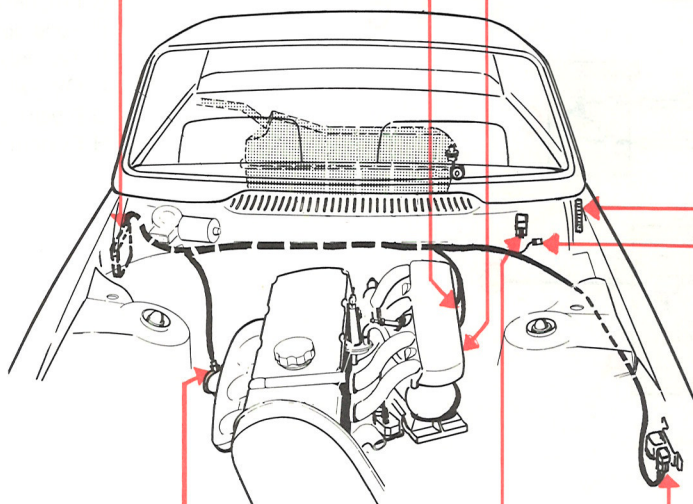
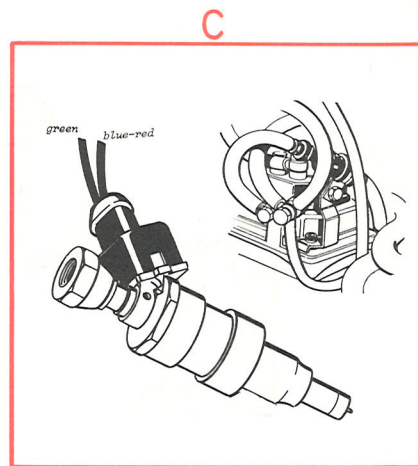
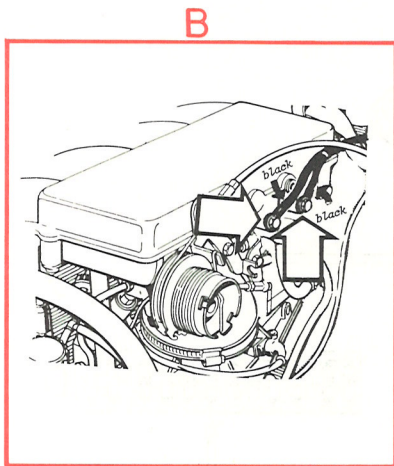
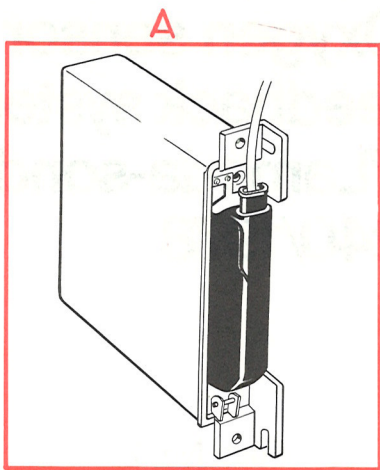
Fuse No. 7
Fuel pumps
Oxygen sensor system

- Legend:
- A Electronic module
 - B Ground points
 - C Frequency valve
 - D Fuse box
 - E Test instrument pick-up point
 - F Oxygen sensor
 - G Fuel pump relay
 - H System relay

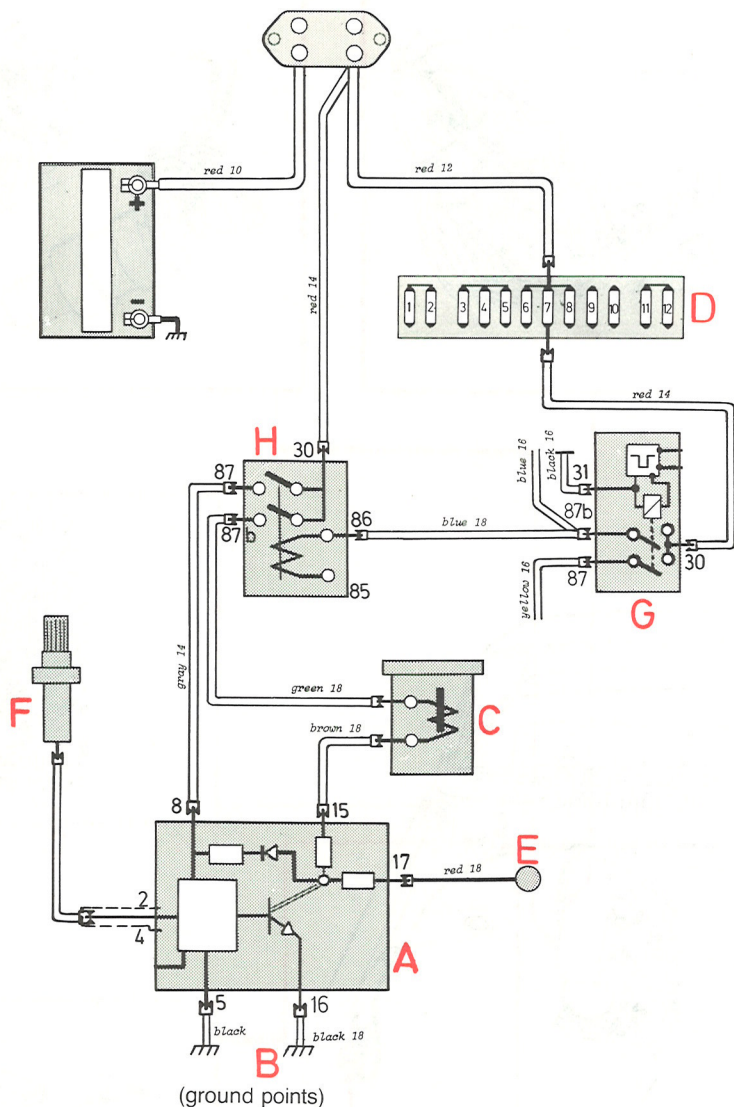


Frequency valve operating

Dotted line
indicates
frequency valve
current

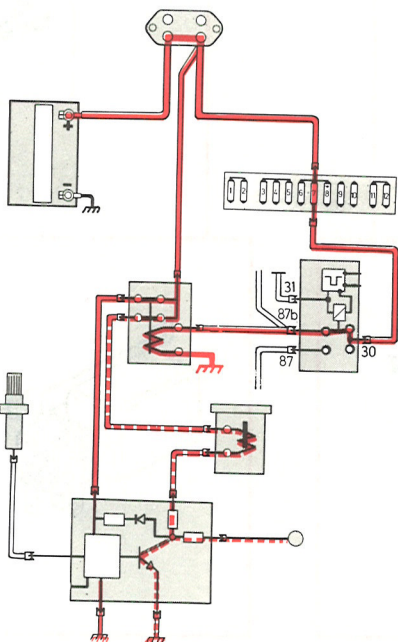


Oxygen sensor feedback system ("Lambda-sond") 240/1978



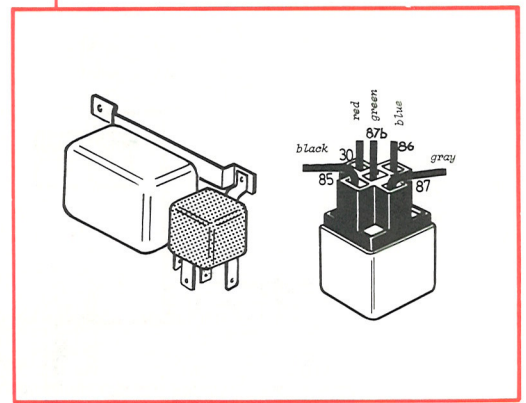
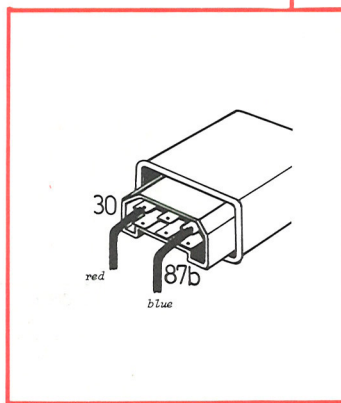
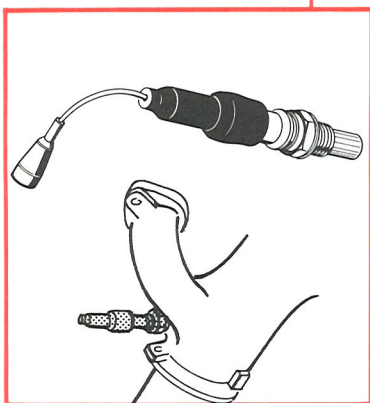
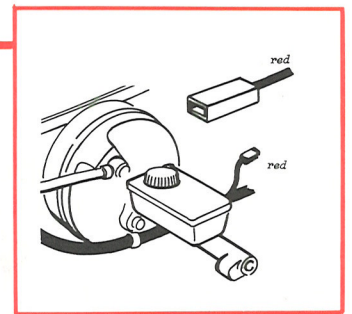
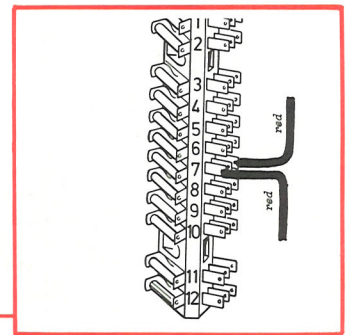
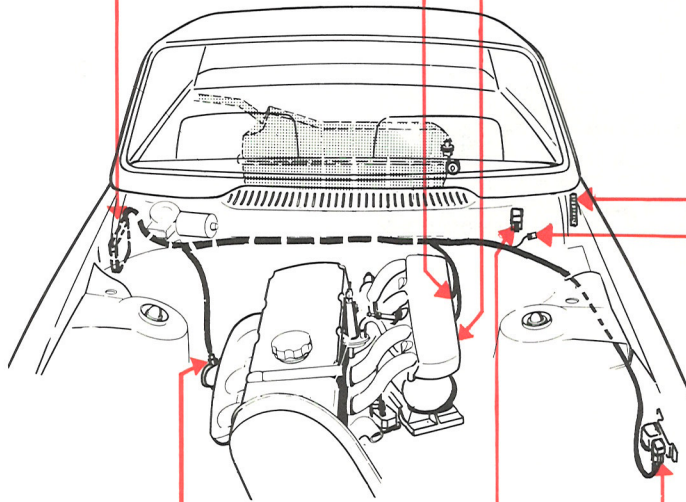
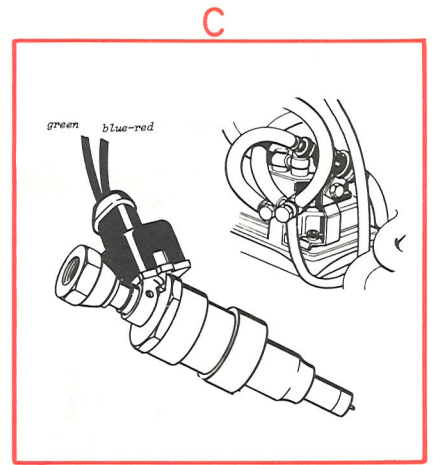
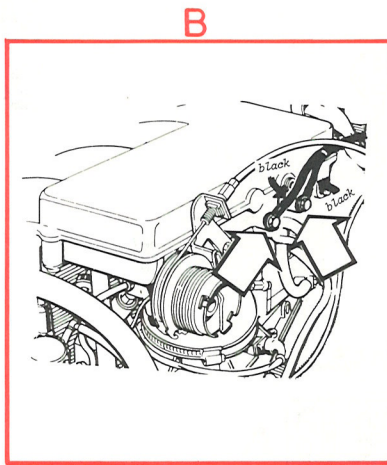
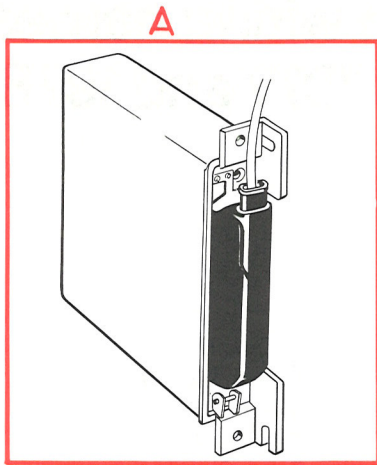
Fuse No. 7
Fuel pumps
Oxygen sensor system

- Legend:
- A Electronic module
 - B Ground points
 - C Frequency valve
 - D Fuse box
 - E Test instrument pick-up point
 - F Oxygen sensor
 - G Electronic pump relay
 - H System relay

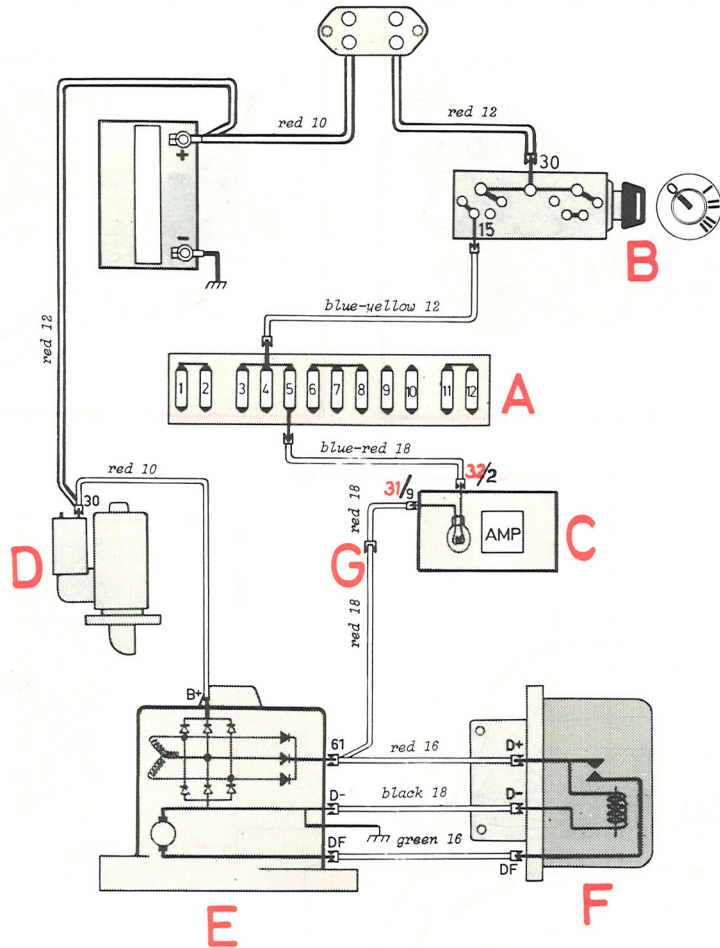


Frequency valve operating

Dotted line
indicates
frequency valve
current



Main wiring harness 240/1977 and 1978



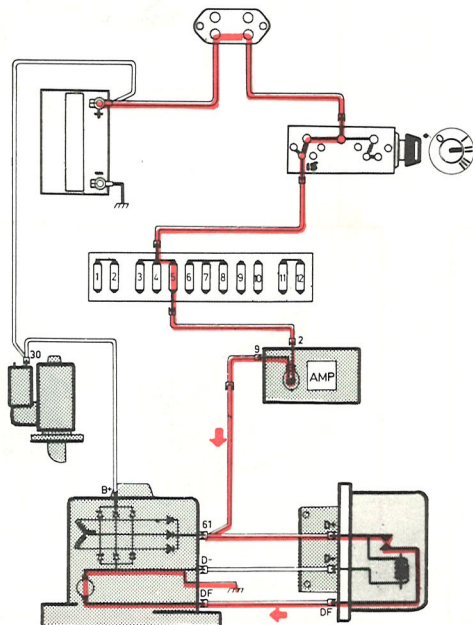
Fuse No. 5

Instrument cluster
Turn signals
Relay, CI system

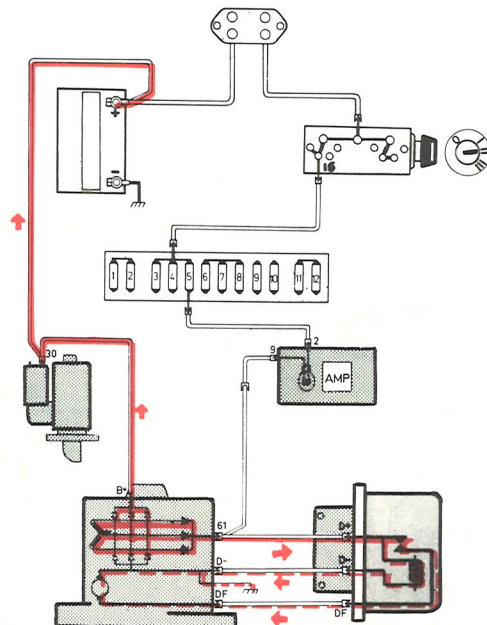
Legend:

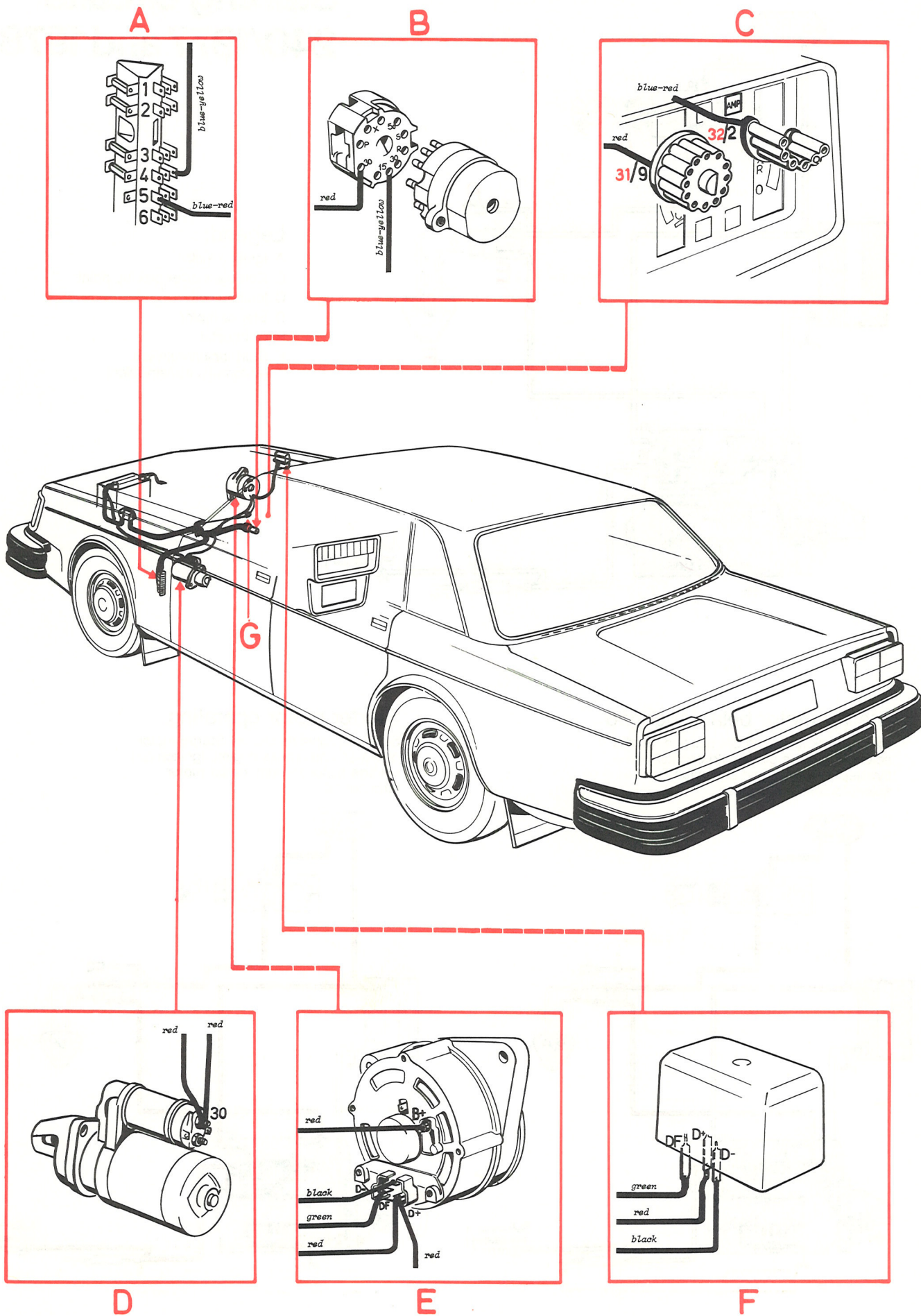
- A Fuse box
- B Ignition lock
- C Charging indicator light
- D Starter motor
- E Alternator
- F Voltage regulator
- G Connector

Ignition ON
(engine not running)

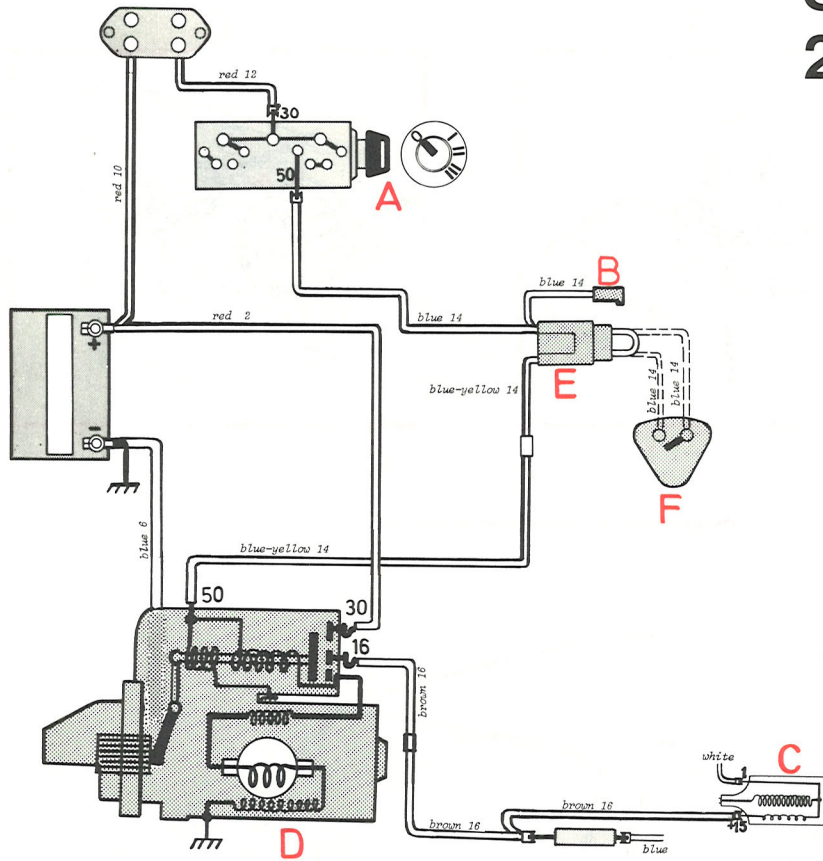


Alternator charging





Starting circuits 240/1977 and 1978

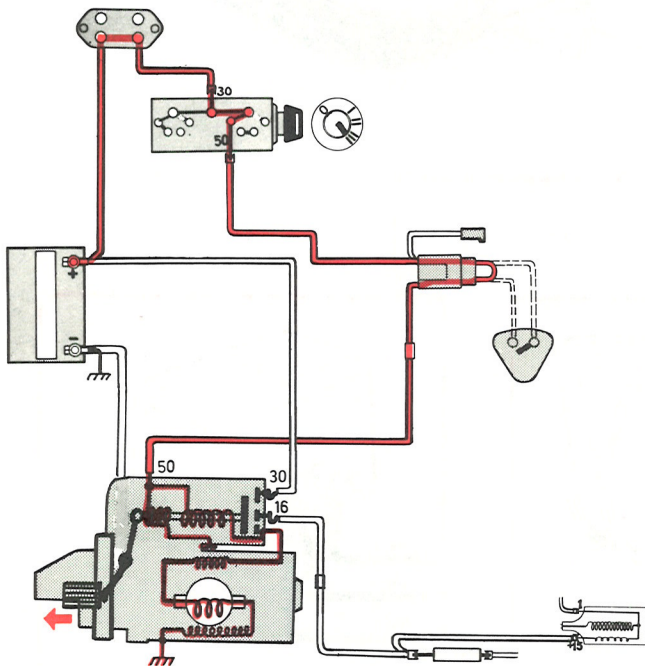


Legend:

- A Ignition lock
- B Remote starter pick-up point
- C Ignition coil
- D Starter motor
- E Connector
- F Start inhibitor switch (automatic transmission)

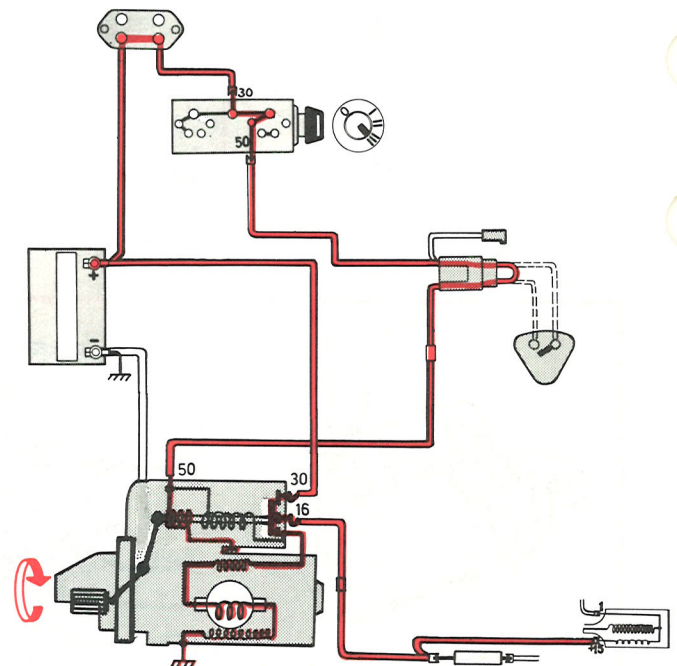
Starter motor being engaged

Ignition lock turned to ON position. Starter solenoid pushes pinion into contact with flywheel ring gear and also causes the solenoid contacts to close.

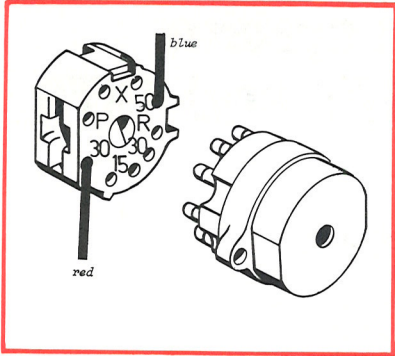


Starter motor operating

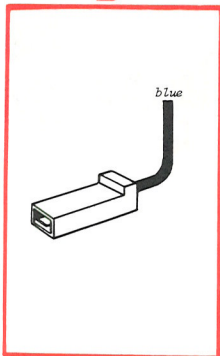
Solenoid contacts closed. Starter motor operates and cranks engine. Ignition coil voltage supplied from starter motor terminal 16.



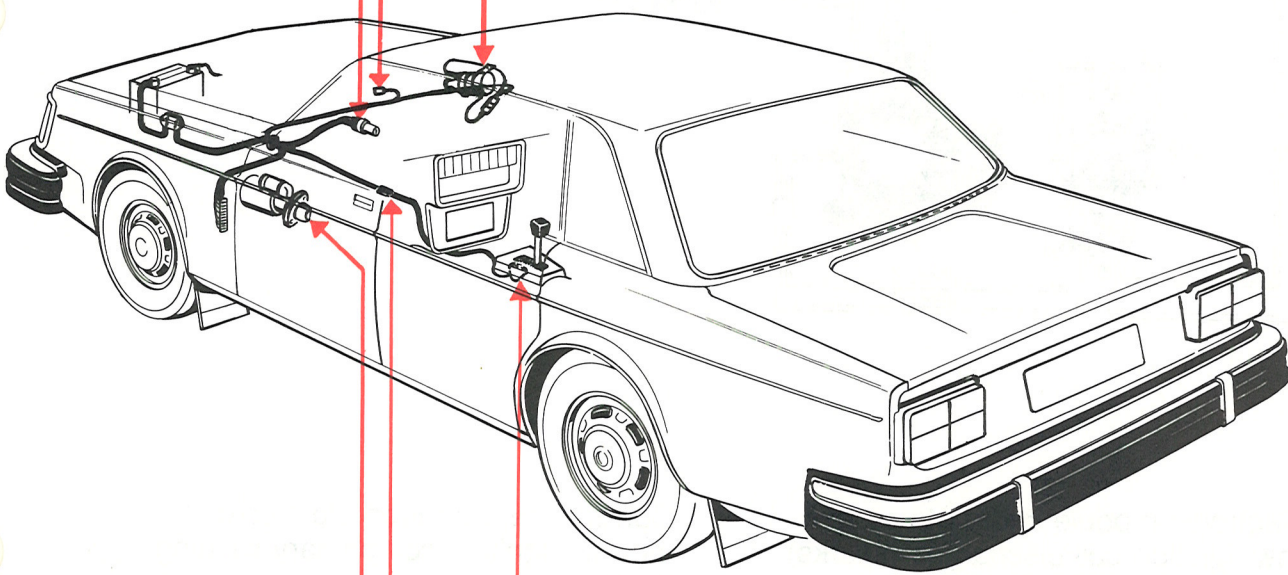
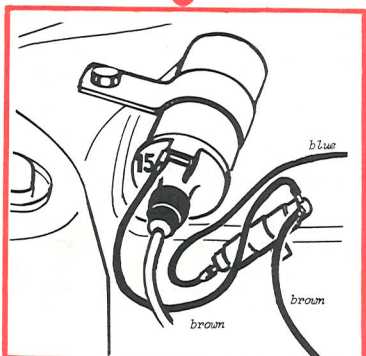
A



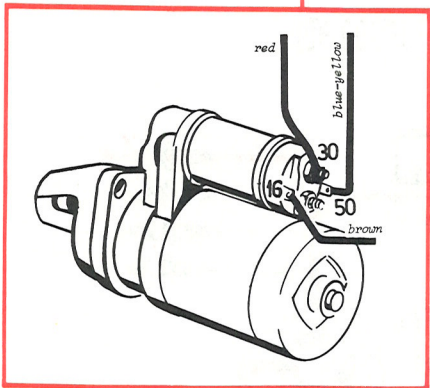
B



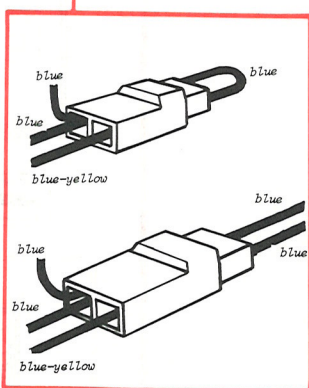
C



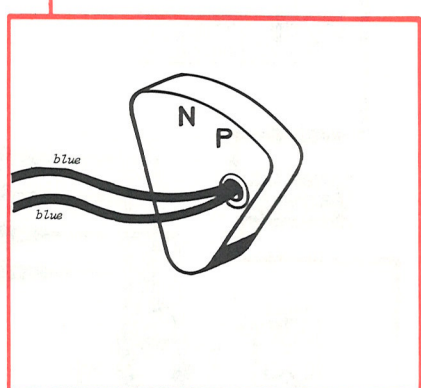
D



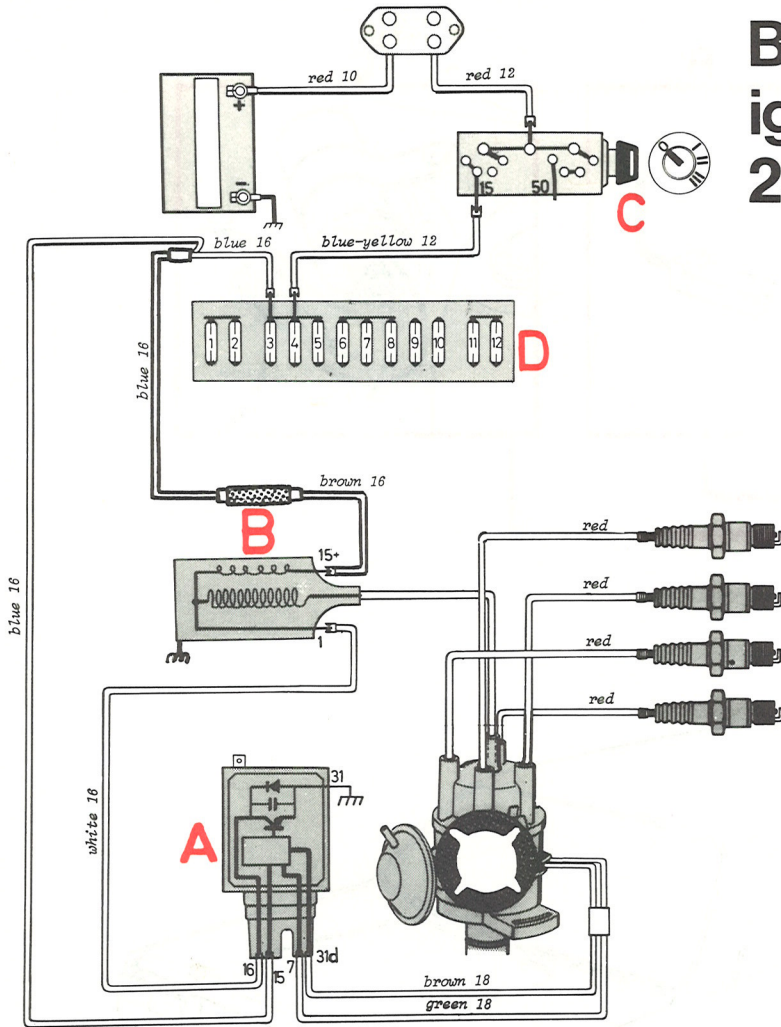
E



F



Breakerless electronic ignition system 240/1977 and 1978

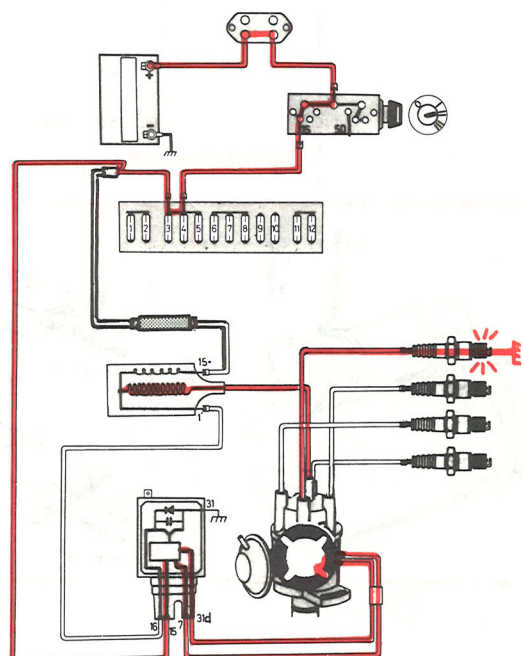
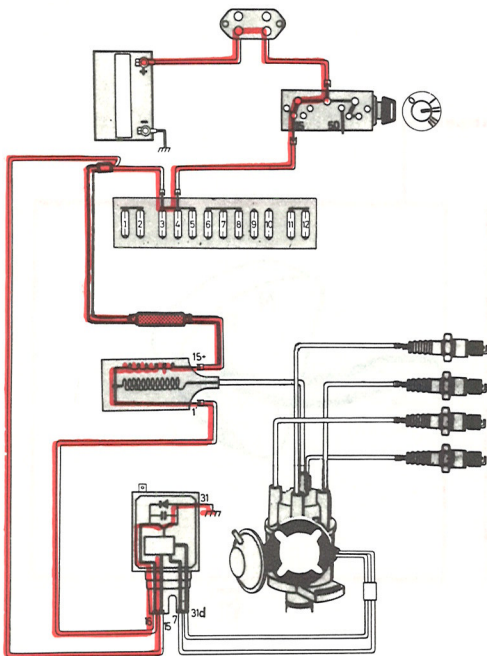


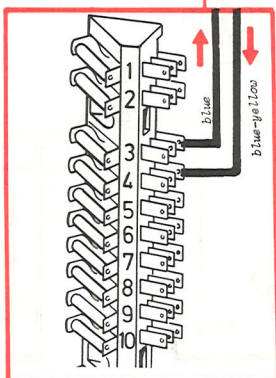
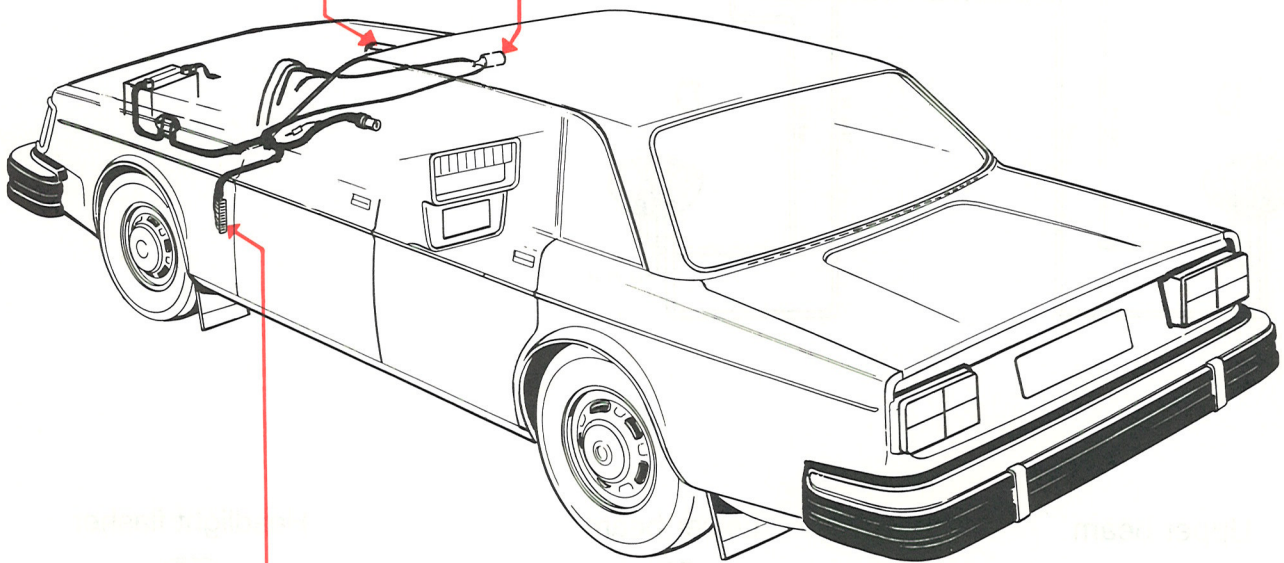
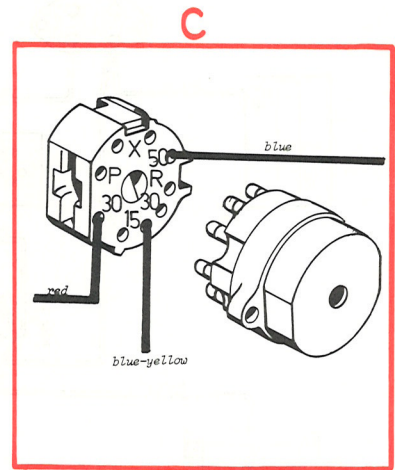
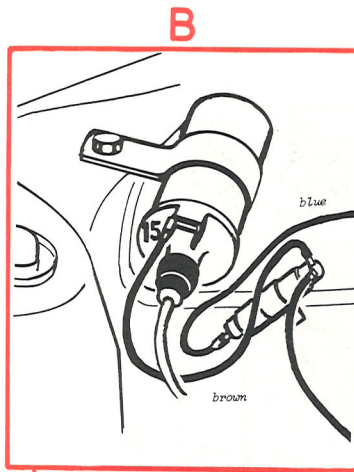
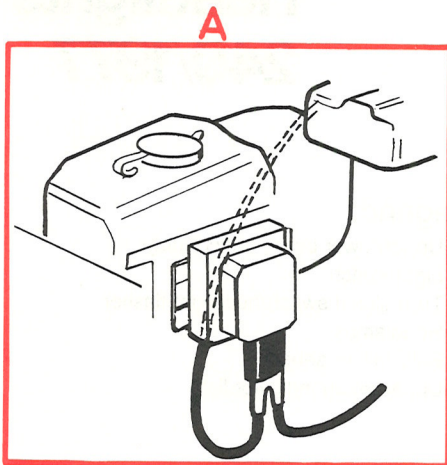
Legend:

- A Electronic module
- B Ignition coil and resistor
- C Ignition lock
- D Fuse box

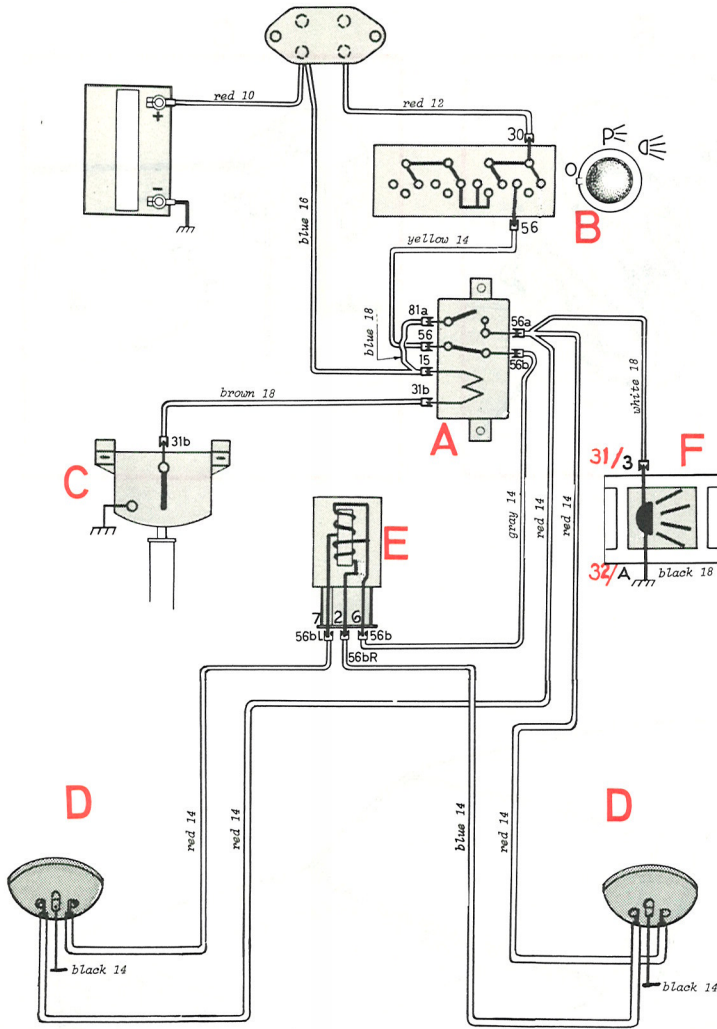
Electronic module interrupts current flow, ignition coil discharges (sparks) through secondary winding.

Current flows through electronic module, ignition coil primary winding is energized.





Headlights 240/1977



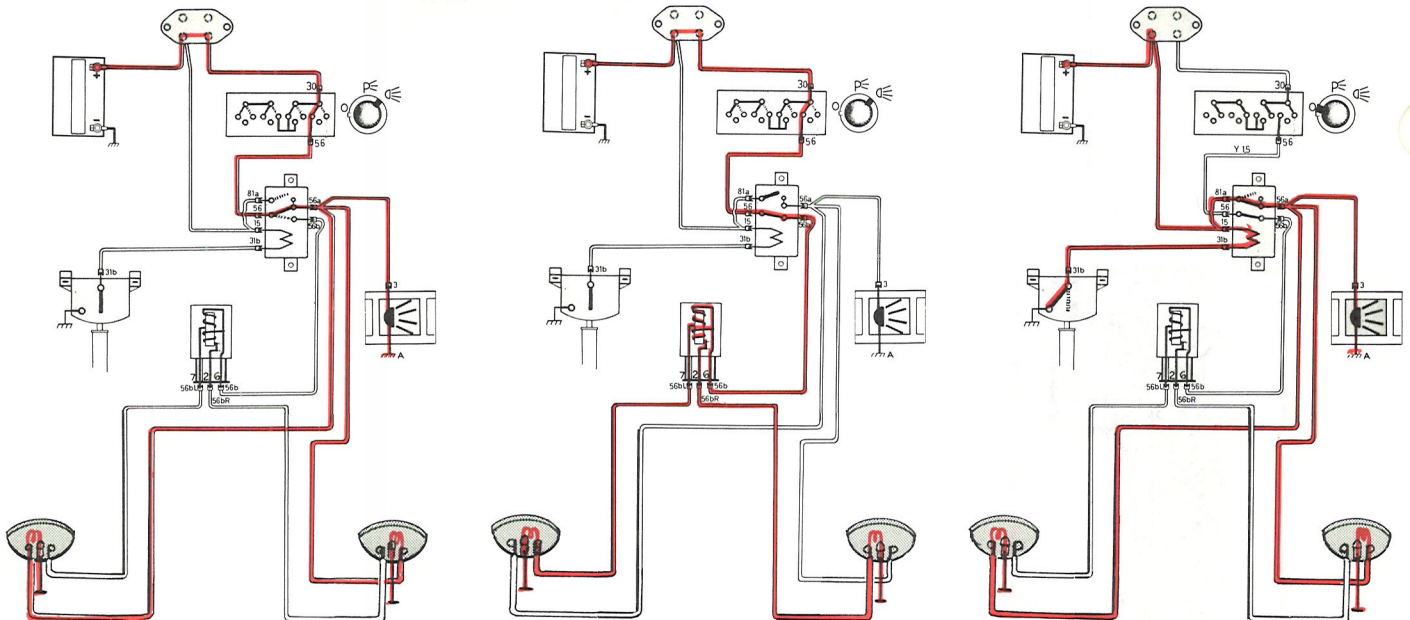
Legend:

- A Upper/lower beam switch relay
- B Light switch
- C Turn signal switch/headlight flasher
- D Headlamps
- E Bulb failure sensor
- F Upper beam indicator light

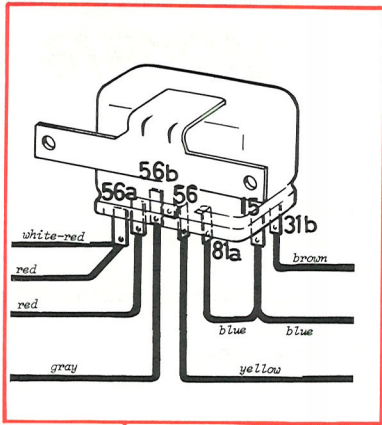
Upper beam

Lower beam

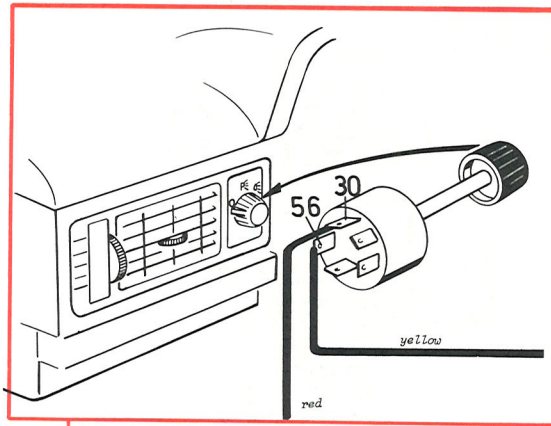
Headlight flasher



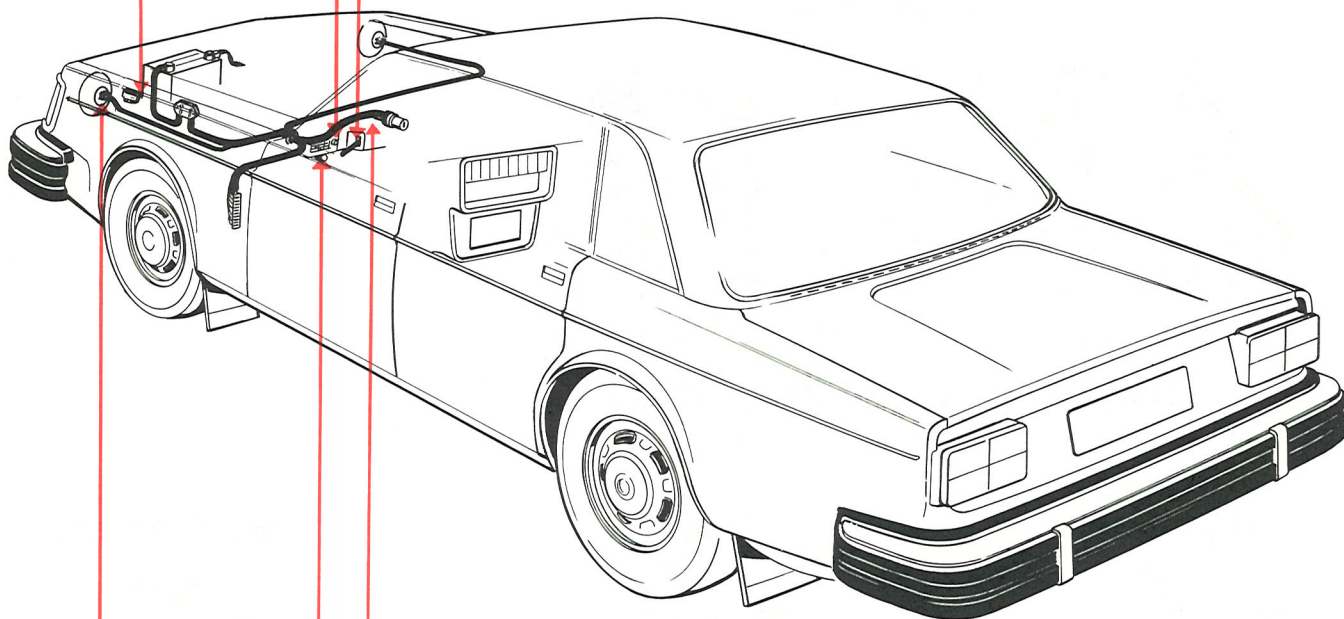
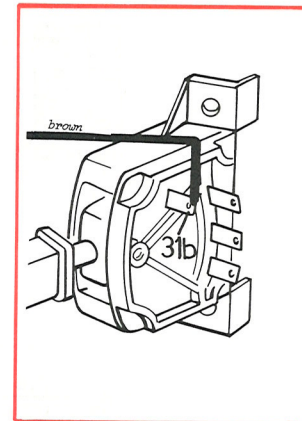
A



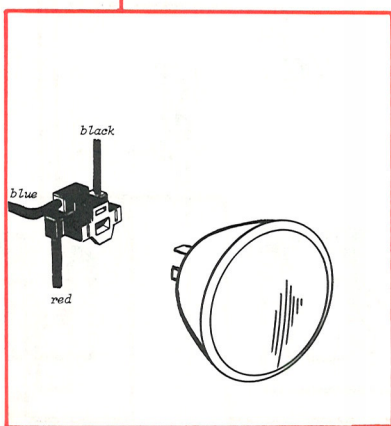
B



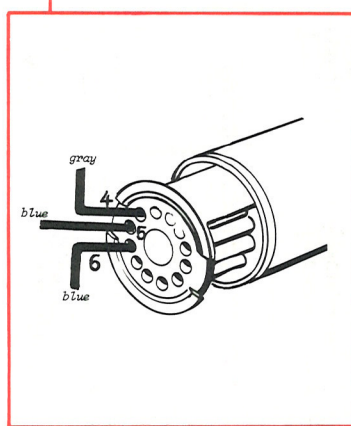
C



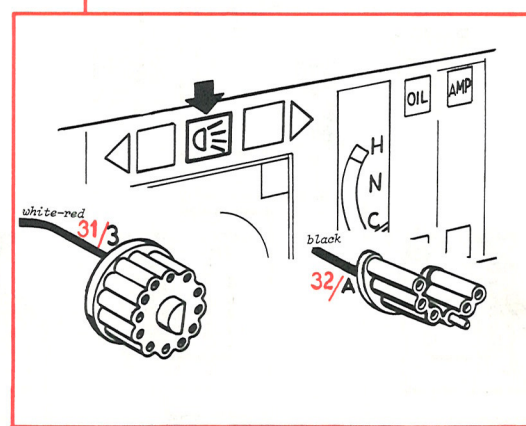
D



E



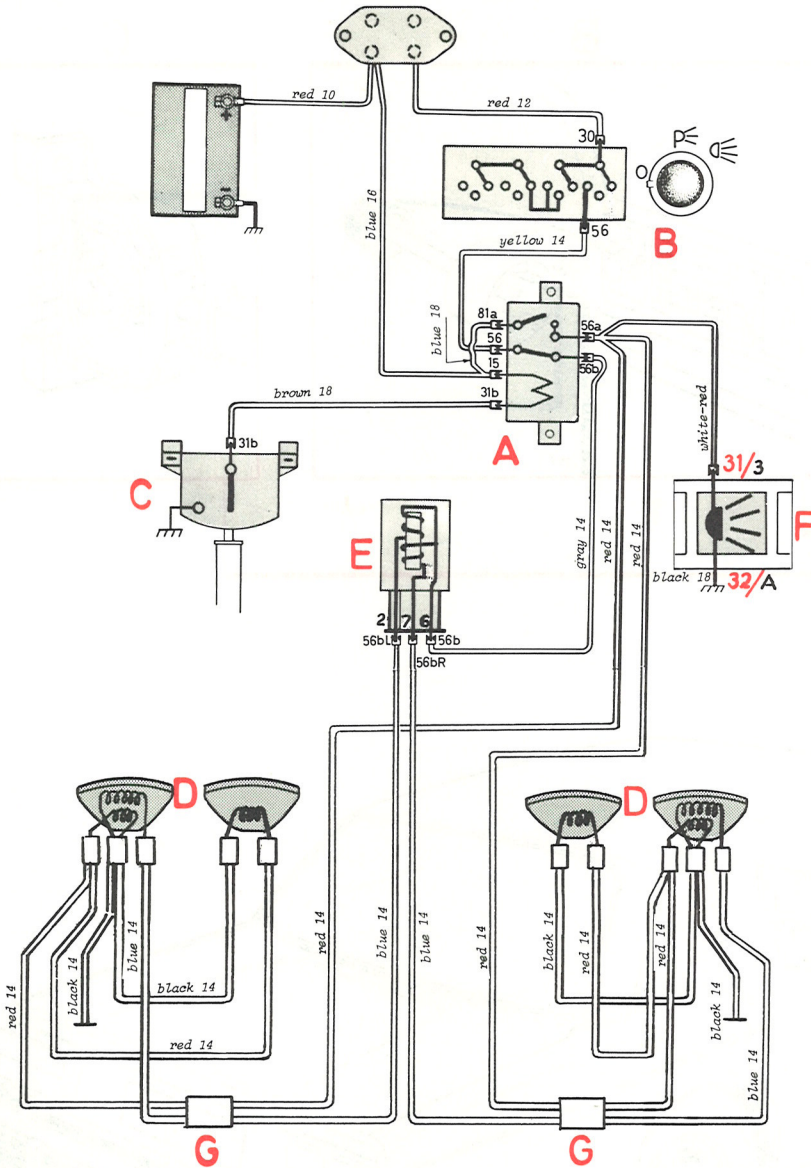
F



Headlights 240/1978

Legend:

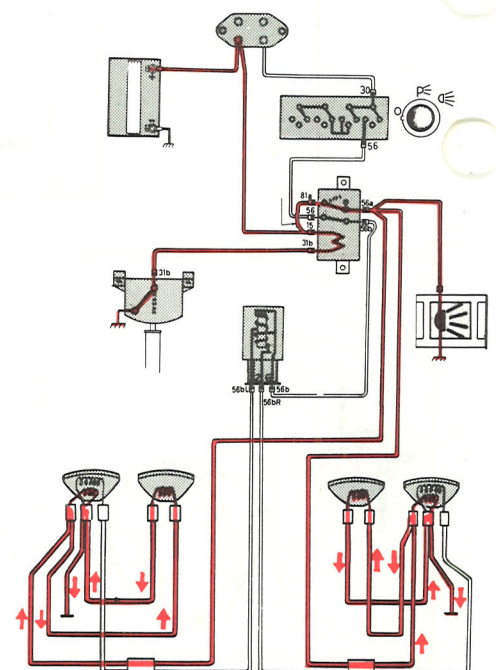
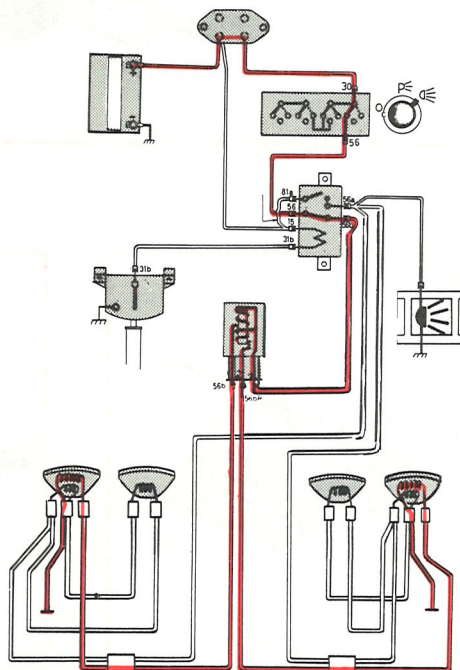
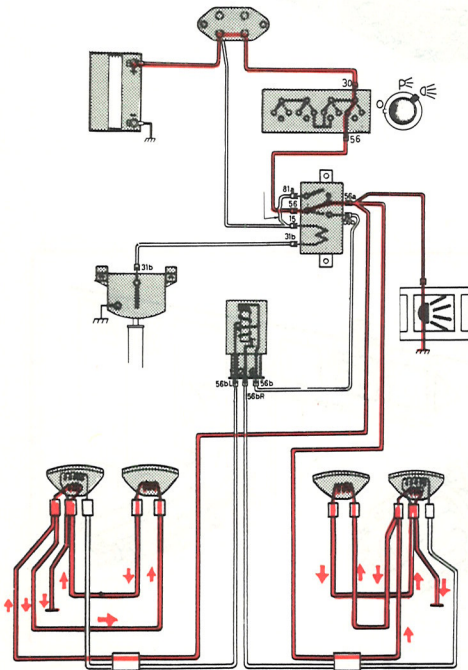
- A Upper/lower beam switch relay
- B Light switch
- C Turn signal switch and headlight flasher
- D Headlamps
- E Bulb failure sensor
- F Upper beam indicator light



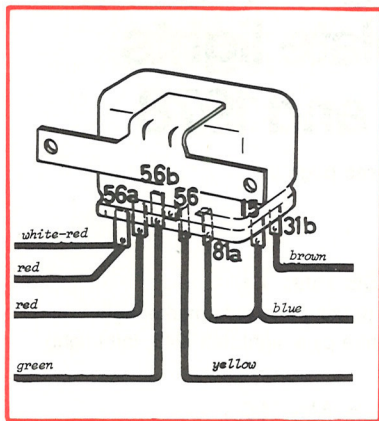
Upper beam

Lower beam

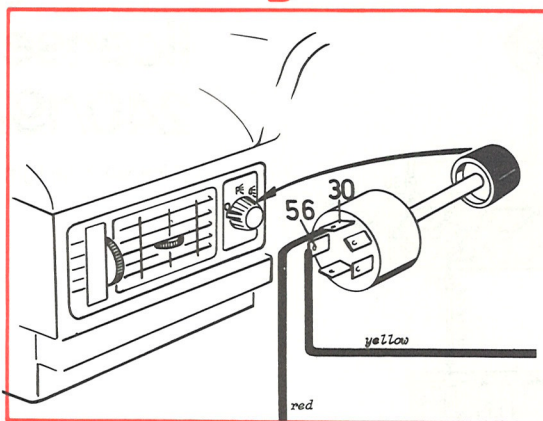
Headlight flasher



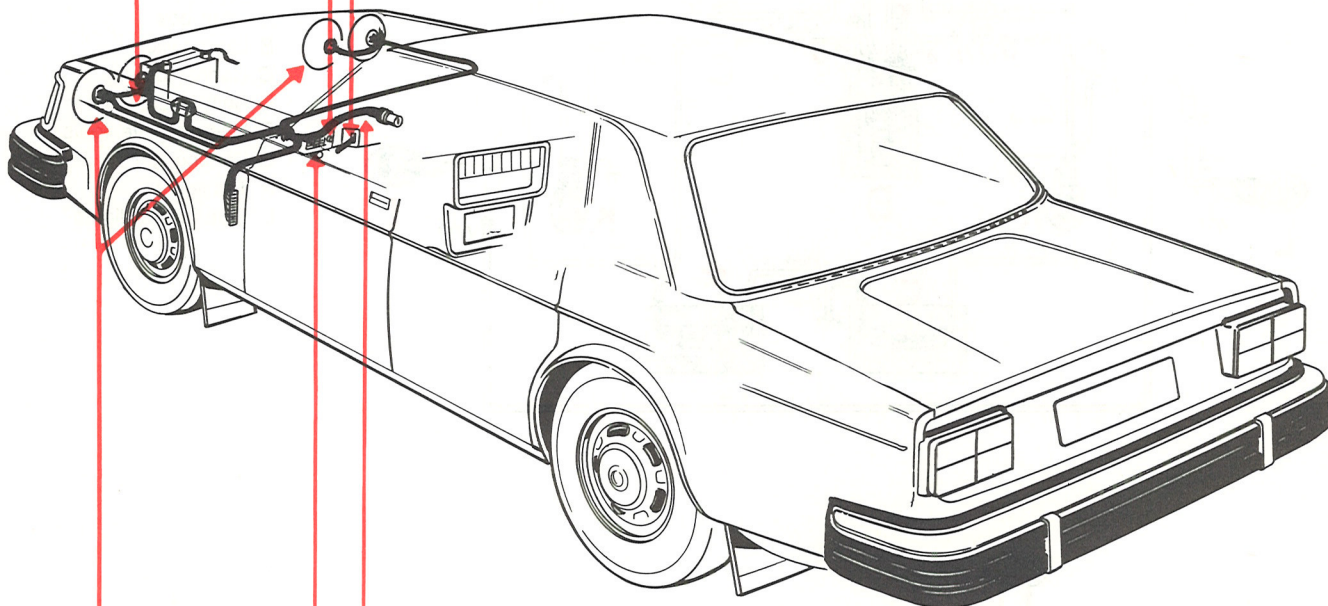
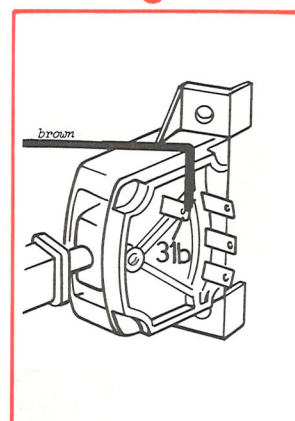
A



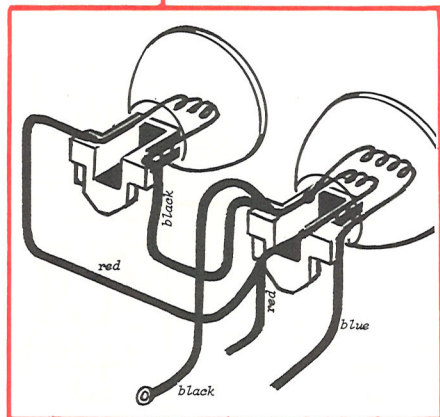
B



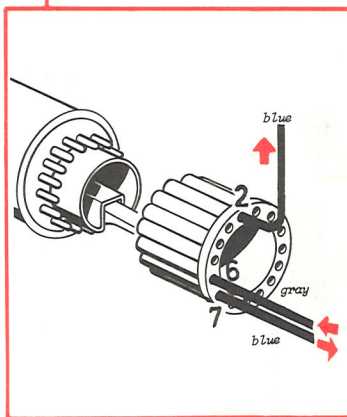
C



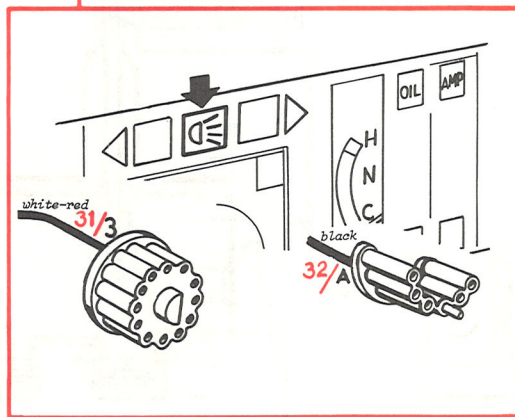
D



E

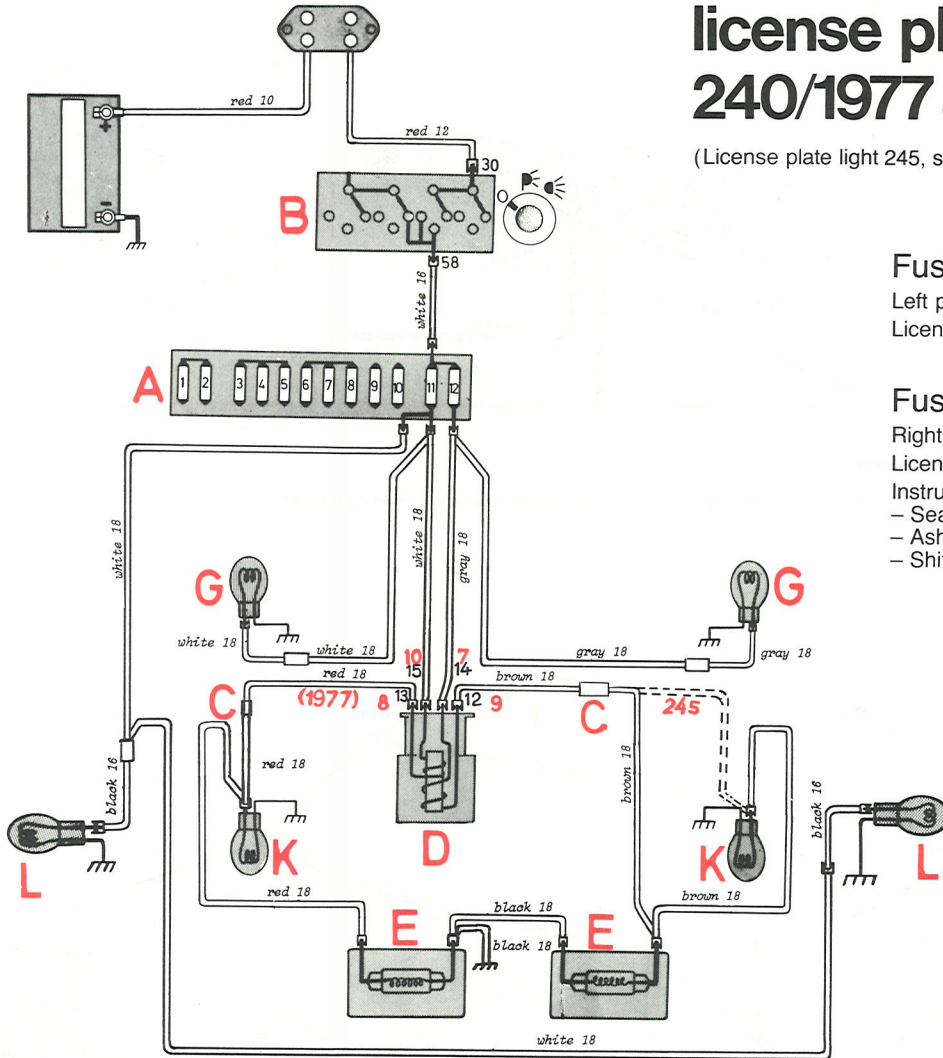


F



Parking lights, tail lights, license plate lights 240/1977 and 1978

(License plate light 245, see page 24)



Fuse No. 11

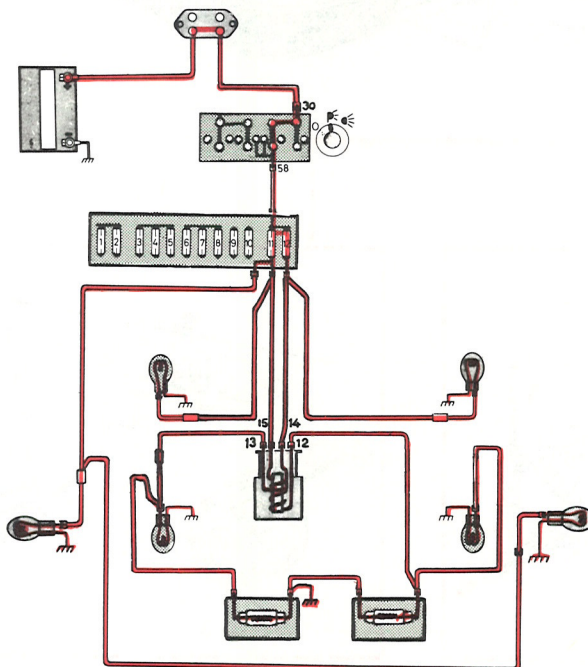
Left parking and side marker light
License plate light, left (245, left+right)

Fuse No. 12

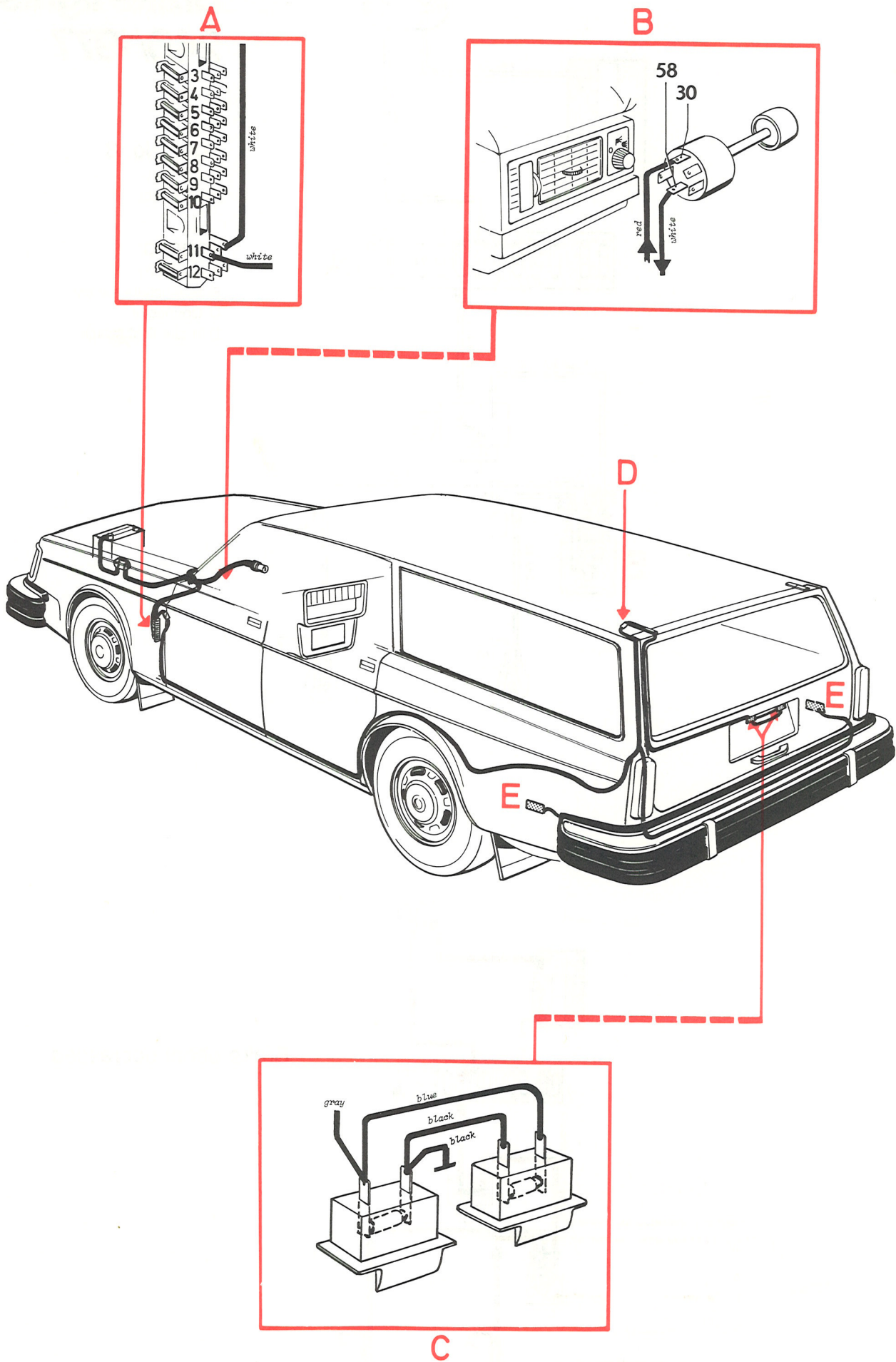
Right parking and side marker light
License plate light, right (not 245)
Instrument and panel lights
- Seat belt light
- Ash tray light
- Shift positions light

Legend:

- A Fuse box
- B Light switch
- C Connector
- D Bulb failure sensor
- E License plate lights
- G Parking lights
- K Tail lights
- L Side marker lights



Lights ON



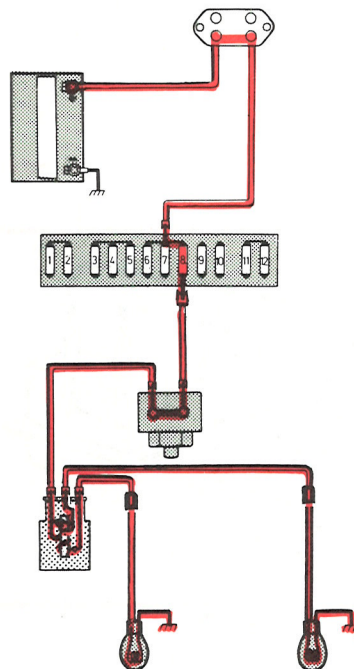
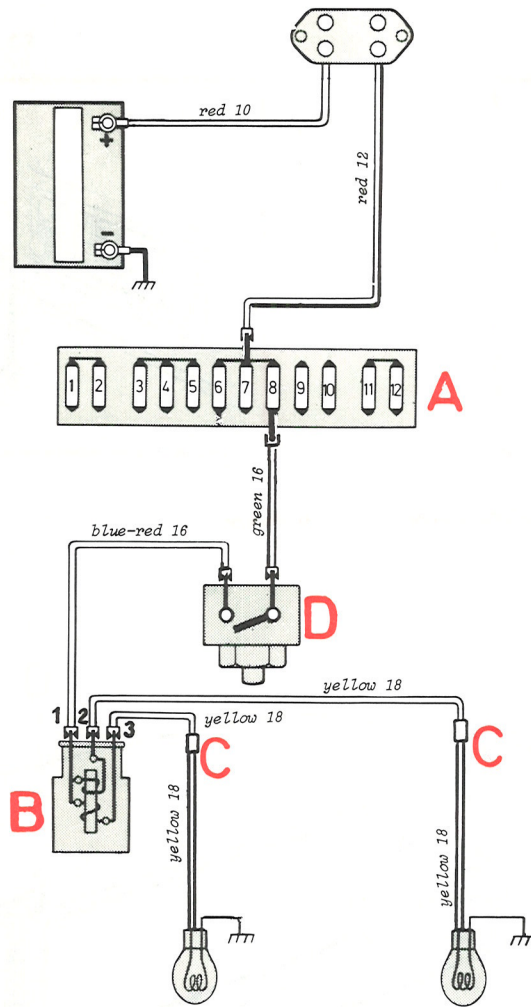
Brake lights 240/1977

Fuse No. 8

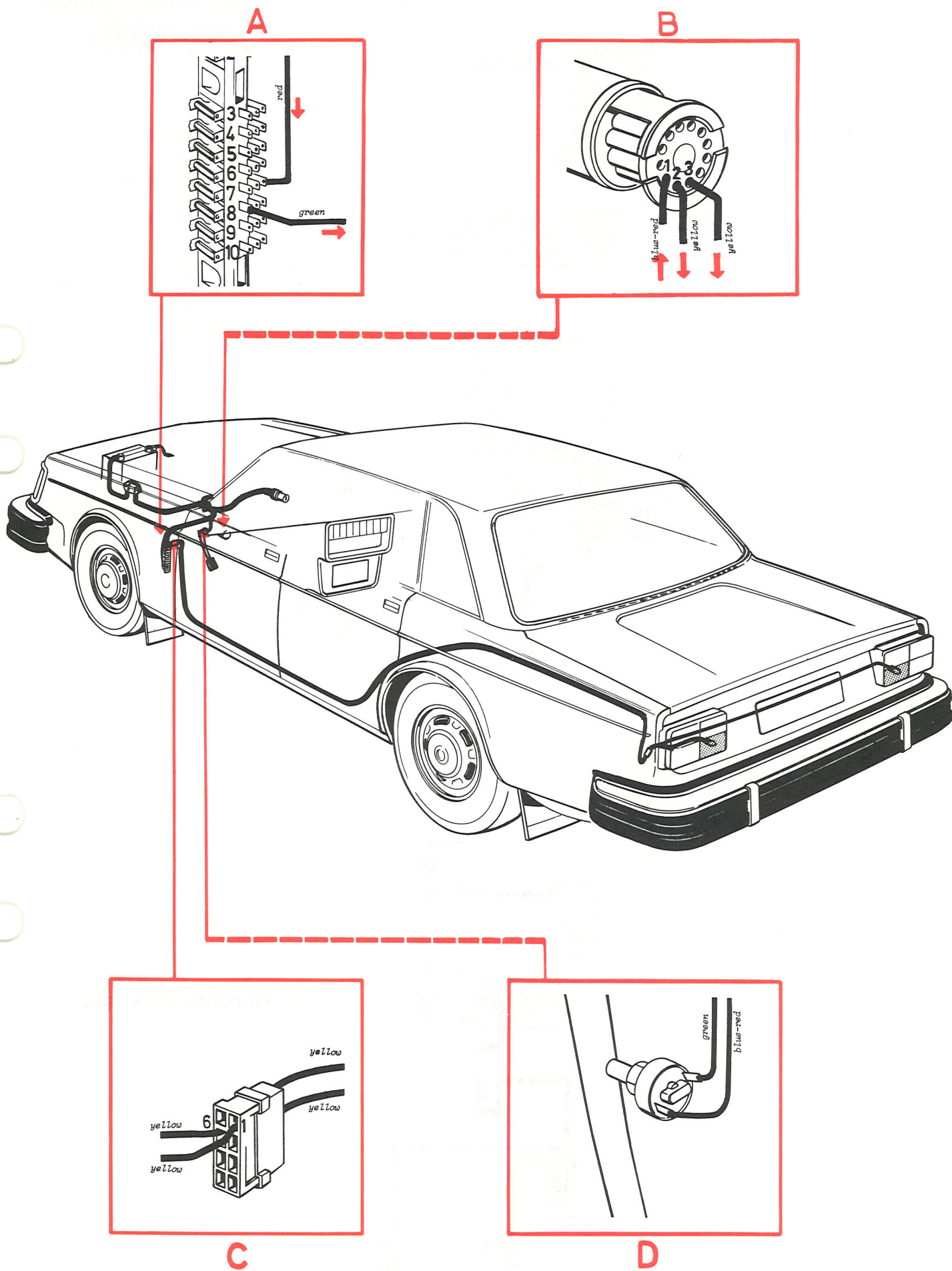
Brake light
interior light

Legend:

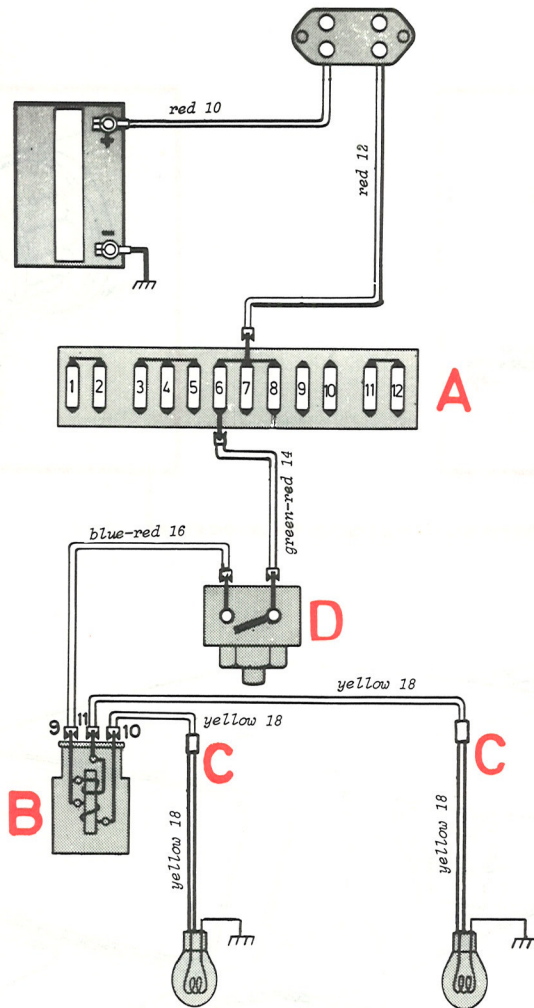
- A Fuse box
- B Bulb failure sensor
- C Connector
- D Brake light switch



Brake pedal depressed



Brake lights 240/1978

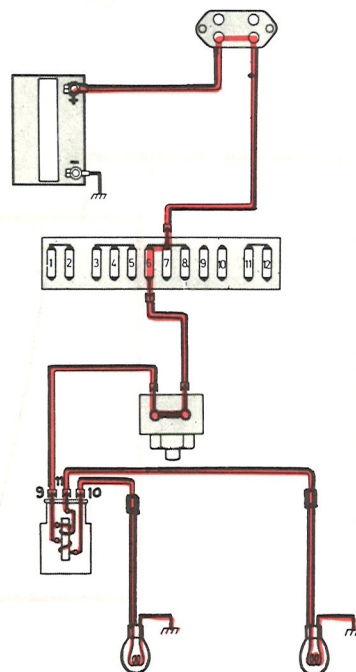


Fuse No. 6

- Brake lights
- Rear interior light, 245
- Trunk light
- Engine compartment light

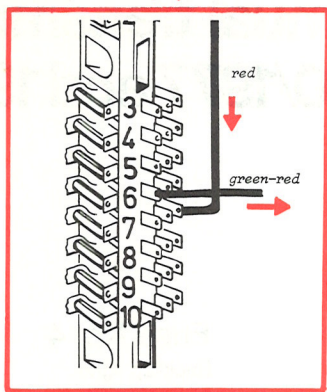
Legend:

- A Fuse box
- B Bulb failure sensor
- C Connector
- D Brake light switch

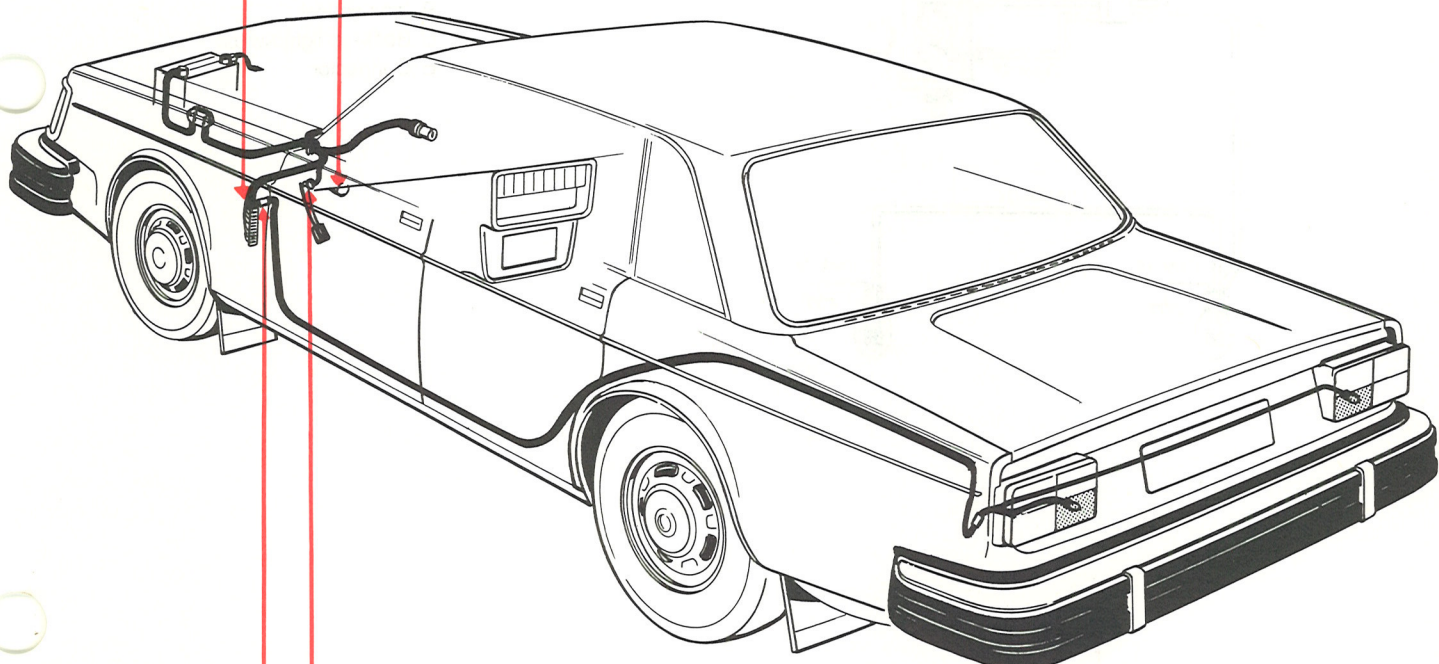
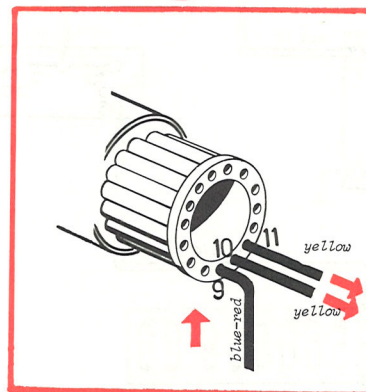


Brake pedal depressed

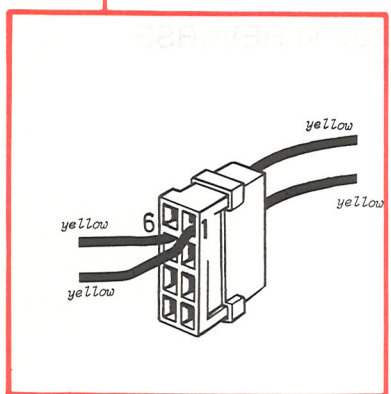
A



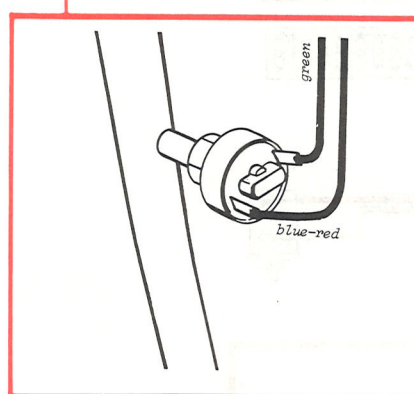
B



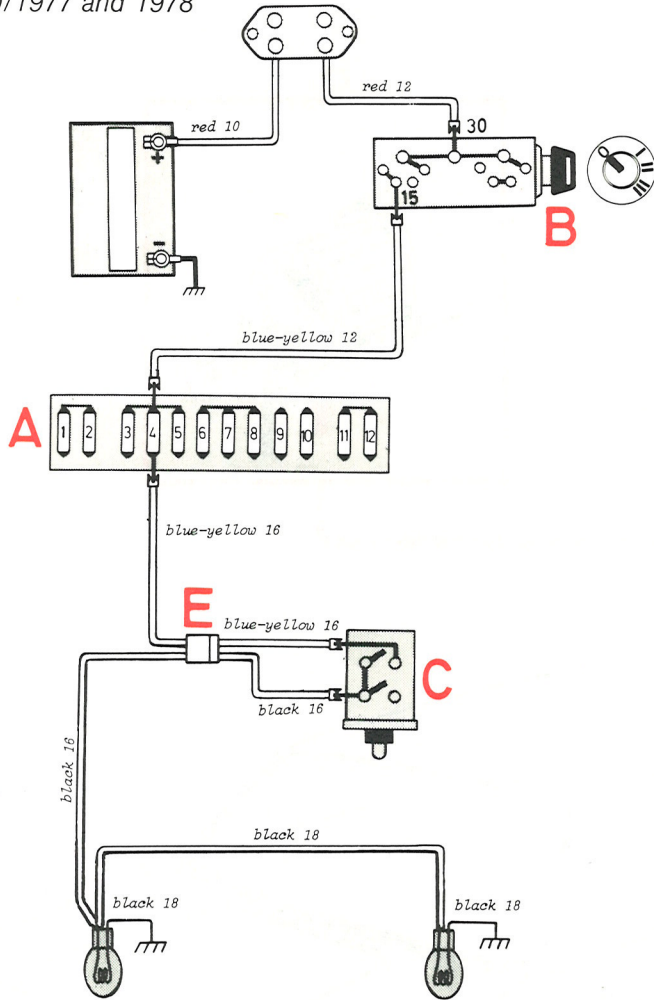
C



D



Back-up lights Manual transmission 240/1977 and 1978

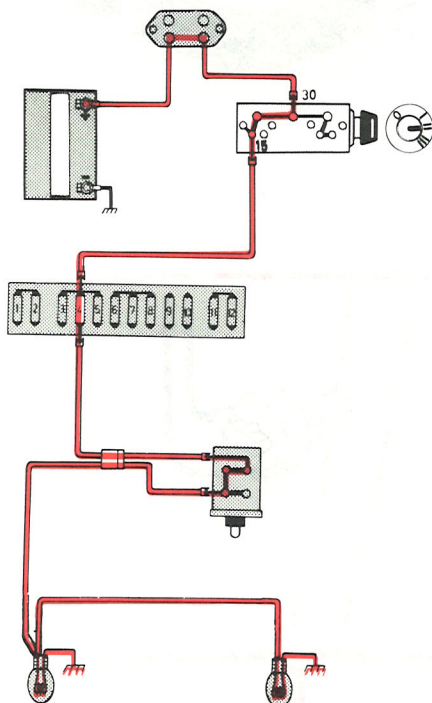


Fuse No. 4

Back-up lights
Air conditioning
(1977: glove compartment light)

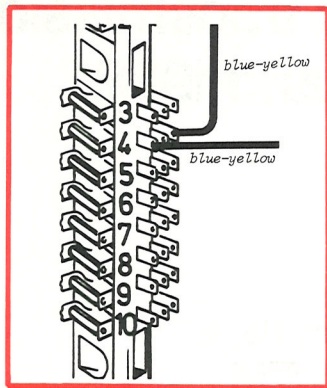
Legend:

- A Fuse box
- B Ignition lock
- C Back-up light switch
- E Connector

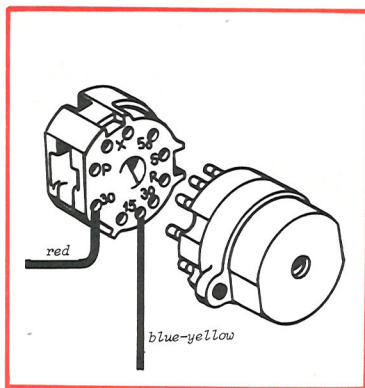


Gear selector in REVERSE
ignition ON

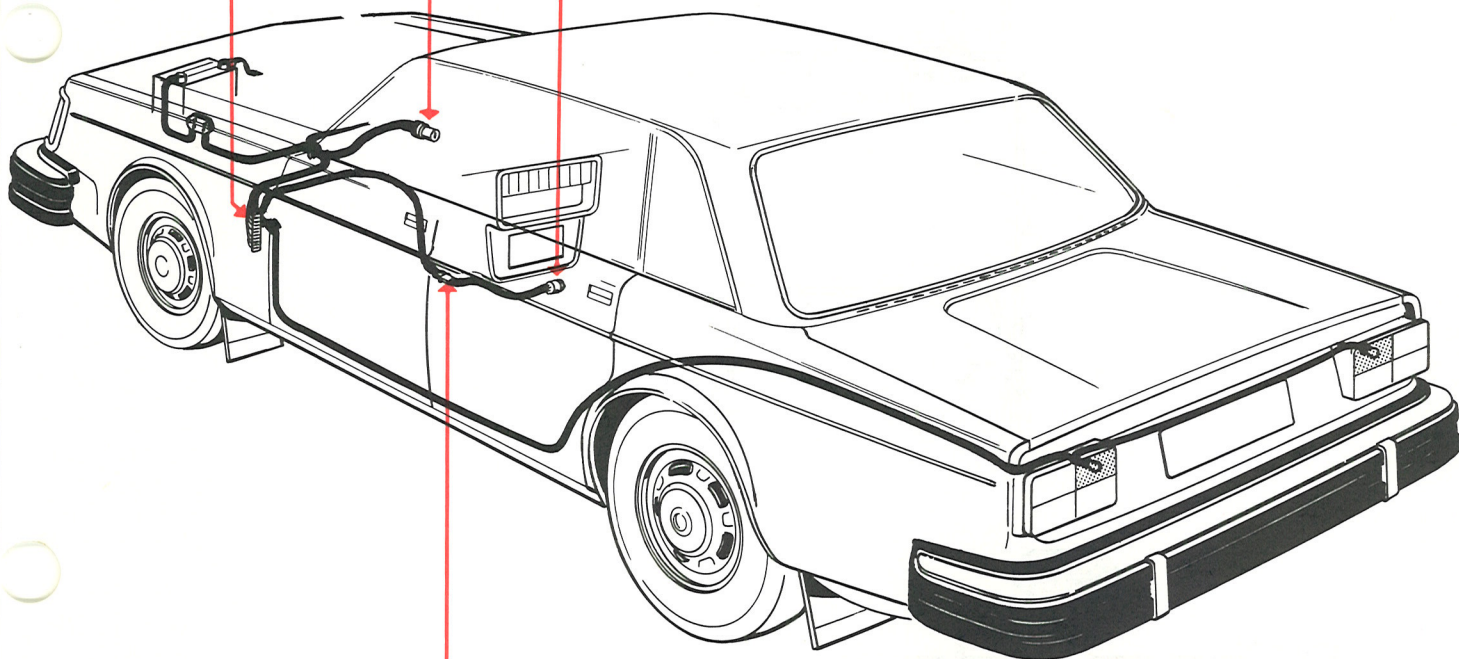
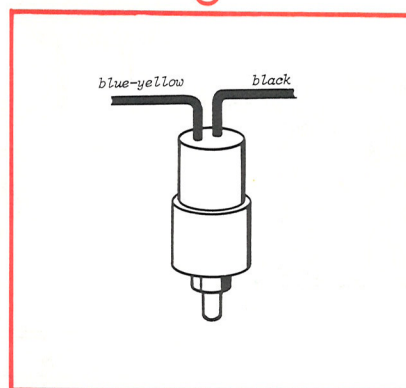
A



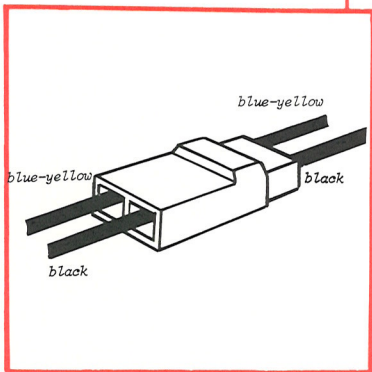
B



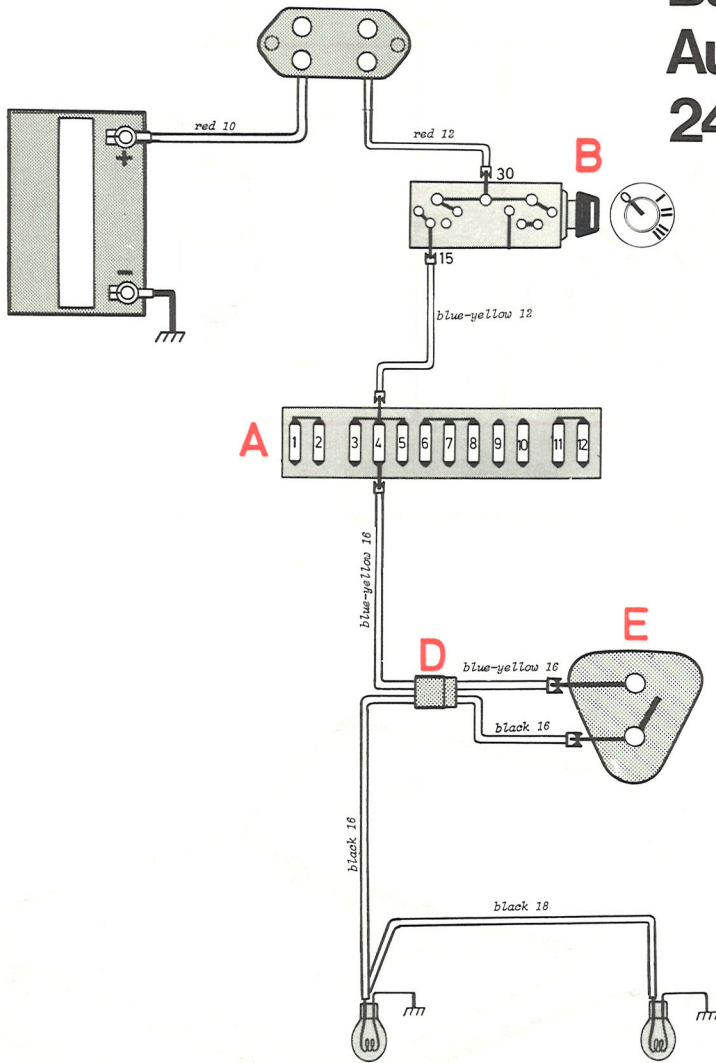
C



E



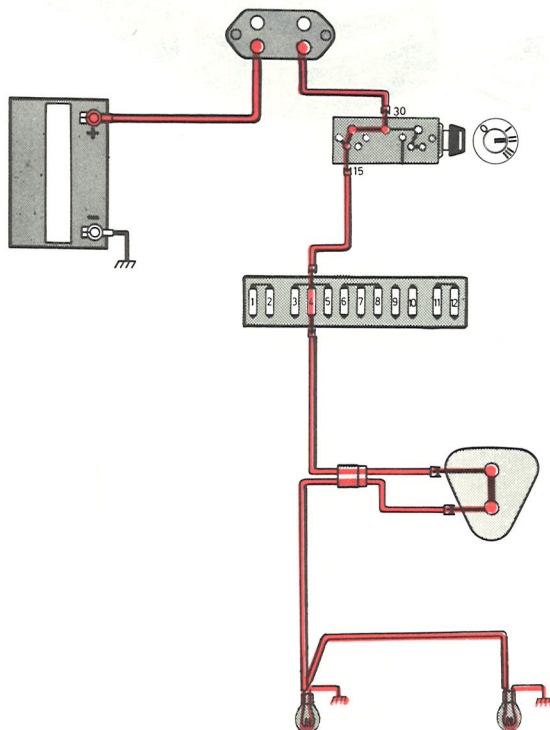
Back-up lights Automatic transmission 240/1977 and 1978



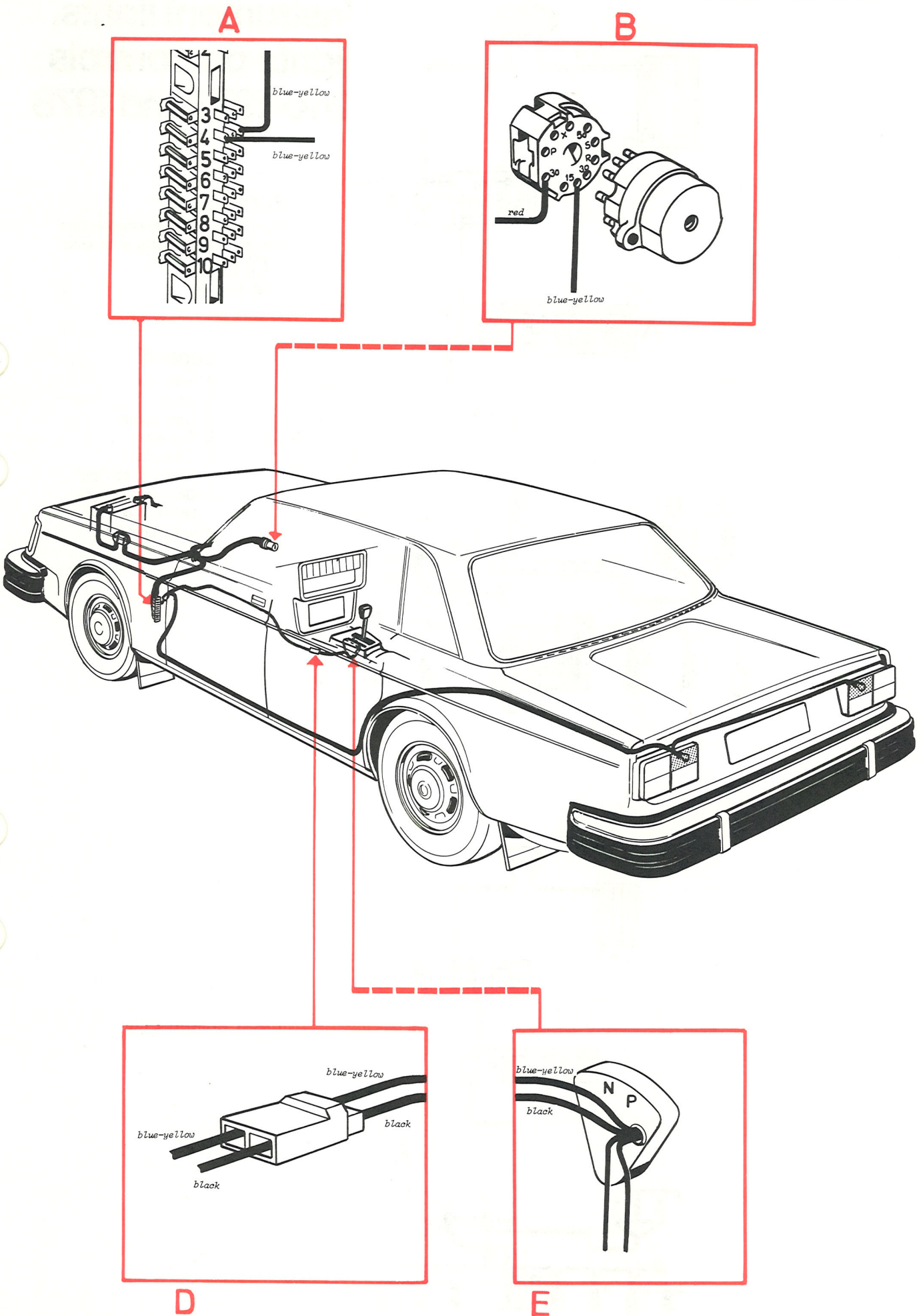
- Fuse No. 4
- Back-up lights
- Air conditioning
- (1977: glove compartment light and seat belt warning system)

Legend:

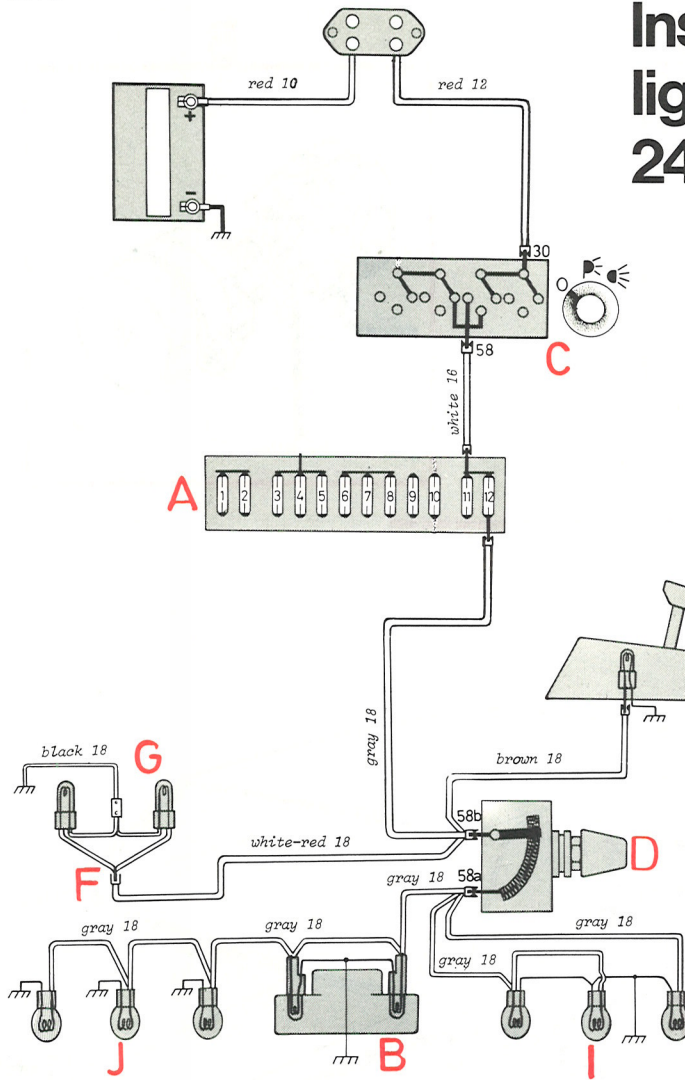
- A Fuse box
- B Ignition lock
- D Connector
- E Switch



Gear selector in REVERSE,
ignition ON



Instrument lights, lights on controls 240/1977 and 1978

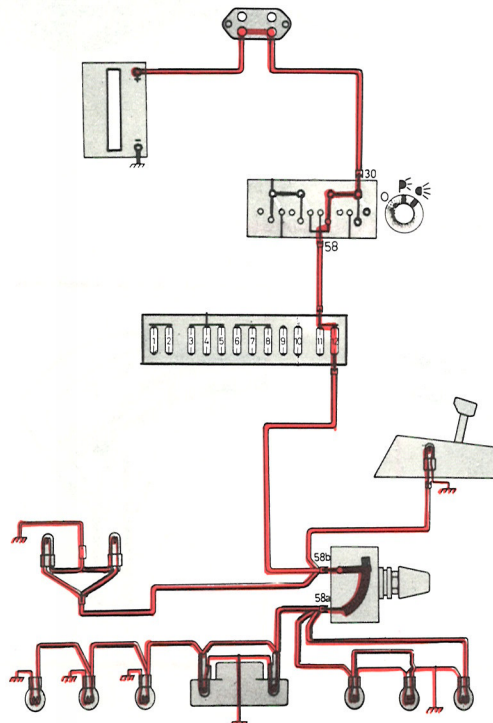


Fuse No. 12

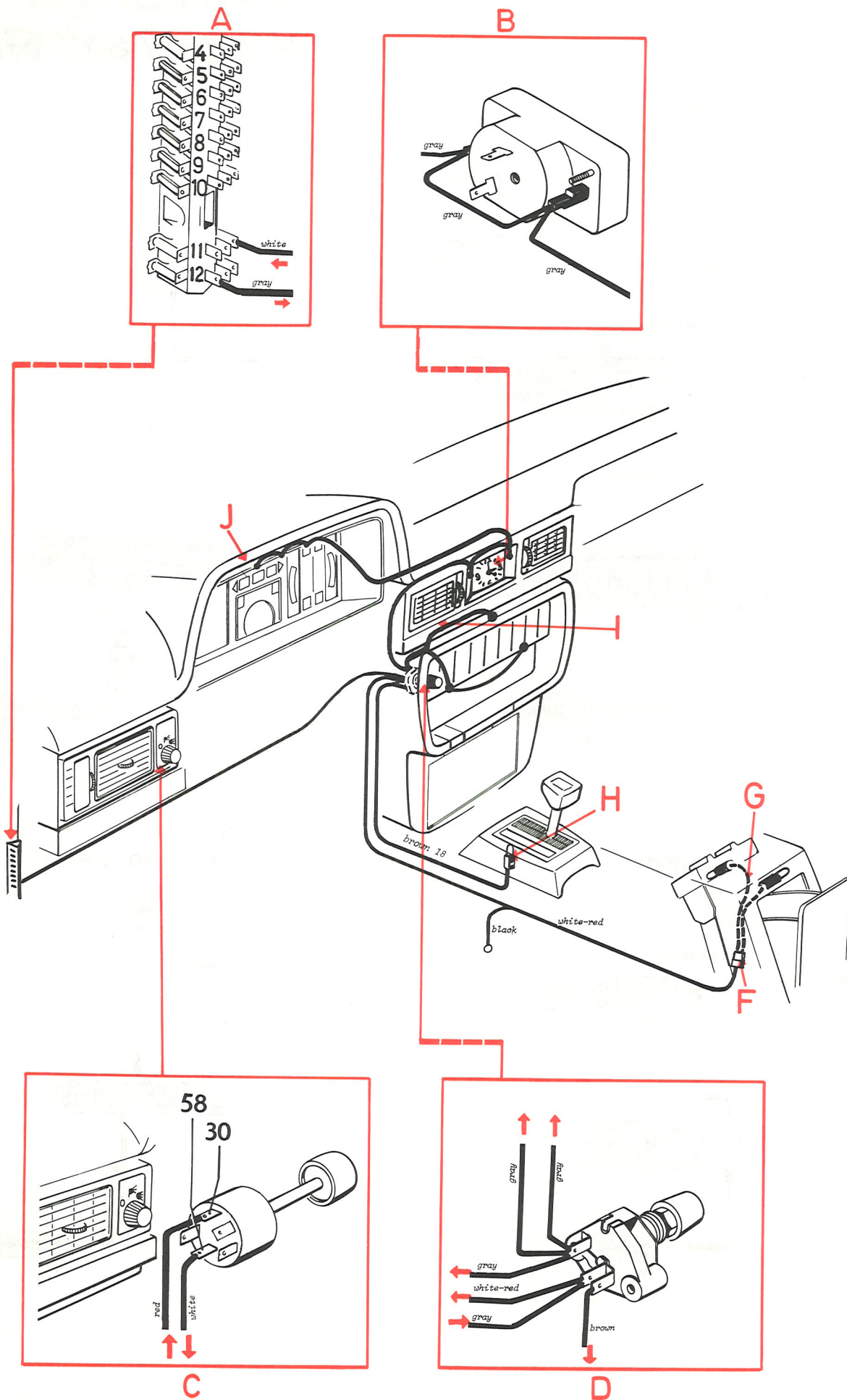
- Right parking and side marker light
- Instrument lights, lights on controls
- Shift positions light
- Seat belt light
- Ash tray light

Legend:

- A Fuse box
- B Clock
- C Light switch
- D Rheostat
- F Connector
- G Seat belt lock light
- H Gear selector light
- I Lights on controls
- J Instrument lights



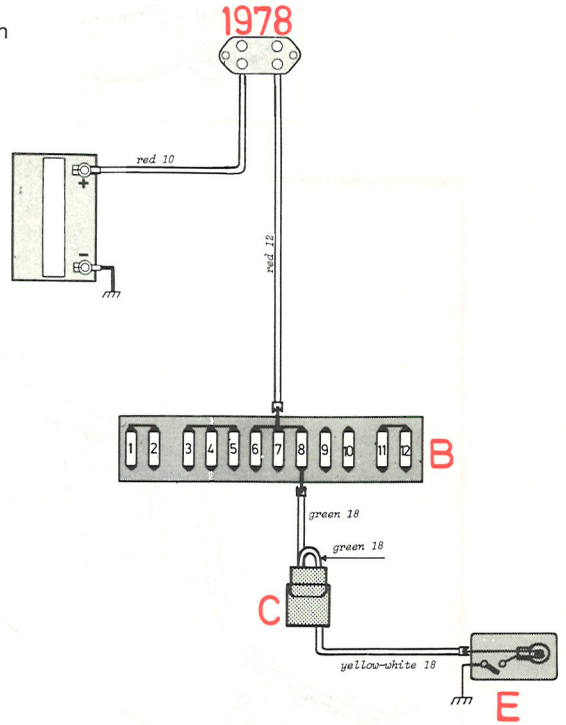
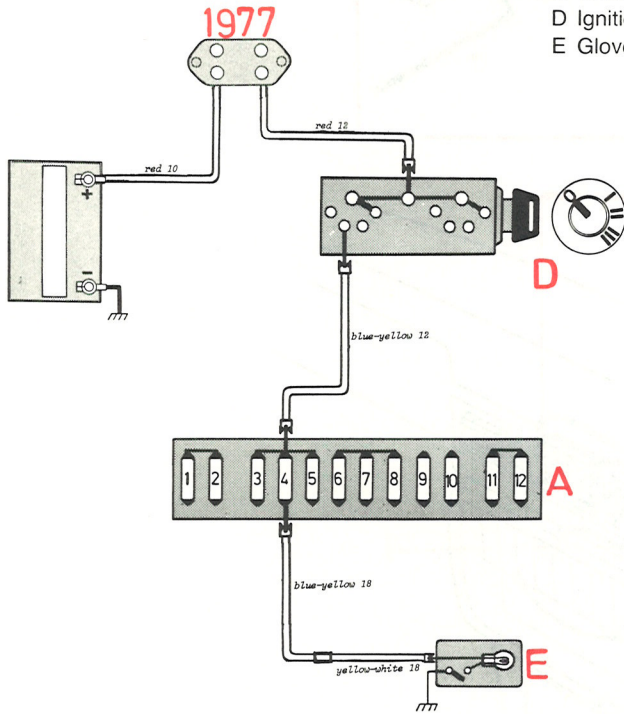
Light switch ON



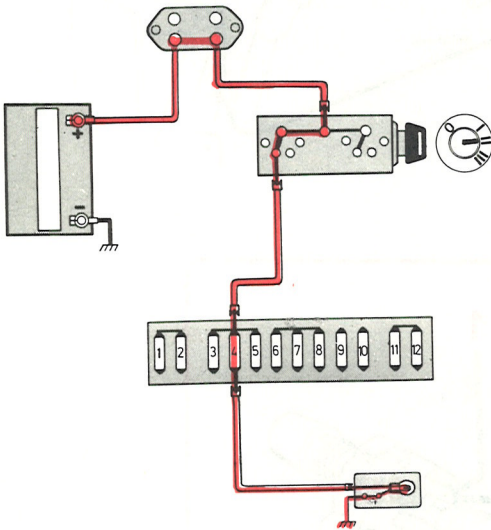
Glove box light 240/1977 and 1978

Legend:

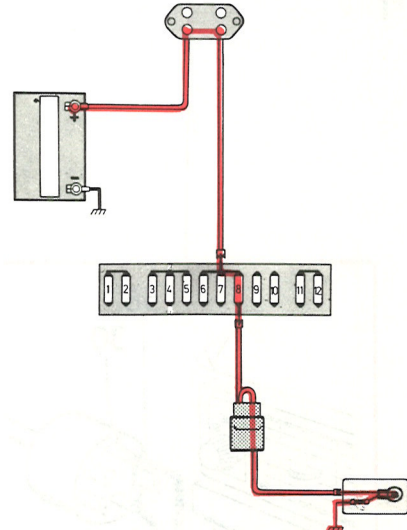
- A 1977 fuse box
- B 1978 fuse box
- C Connector
- D Ignition lock
- E Glove box lid switch



1977:
Glove box lid opened



1978:
Glove box lid opened



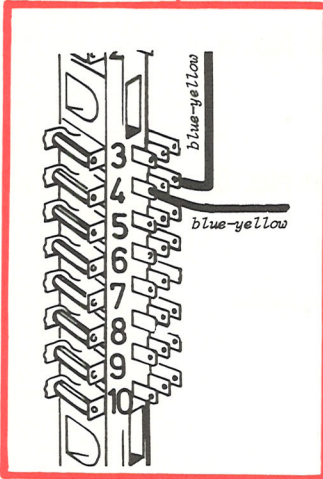
Fuse No. 4

Glove box light
Back-up lights
Air conditioning
Seat belt warning system

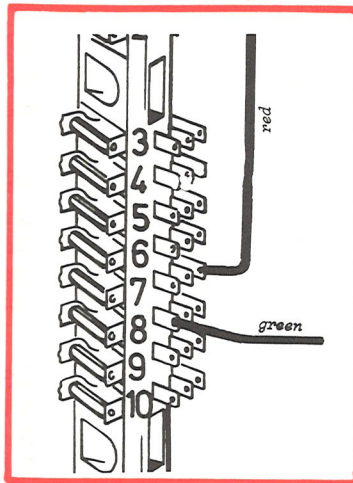
Fuse No. 8

Clock
Glove box light
Interior light
Hazard warning flasher

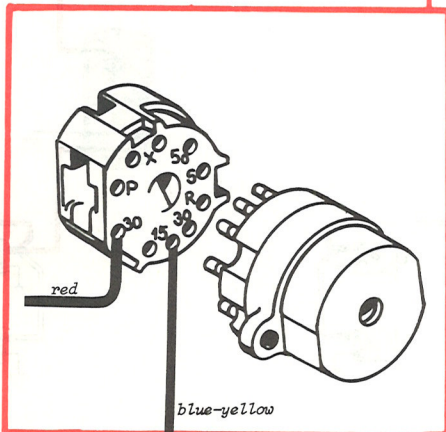
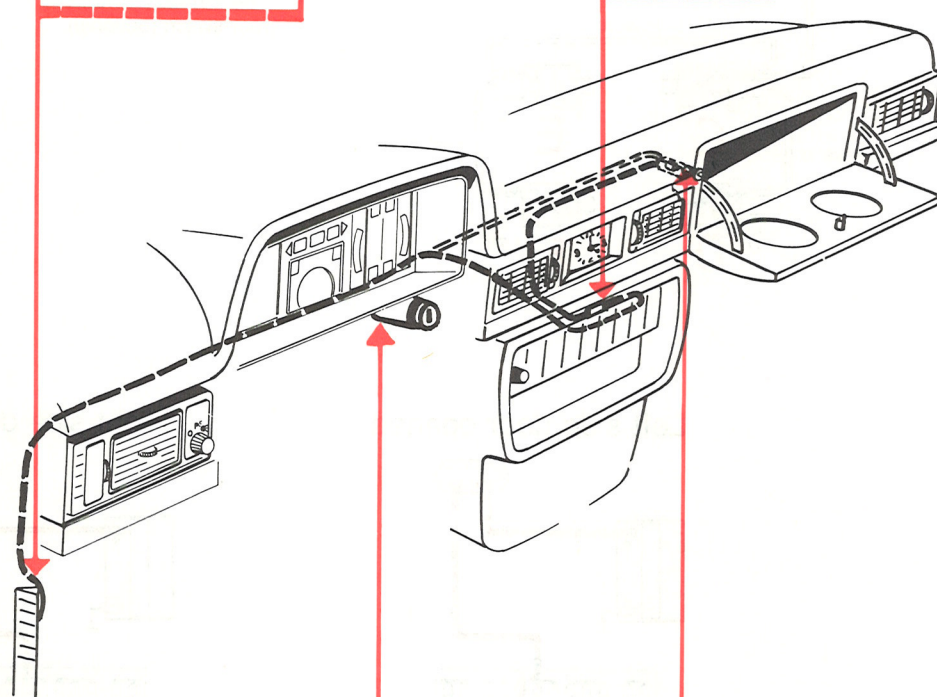
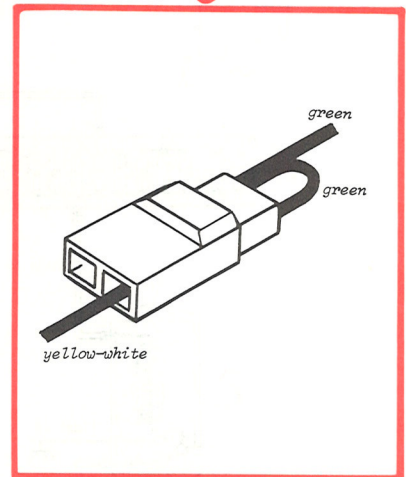
A 1977



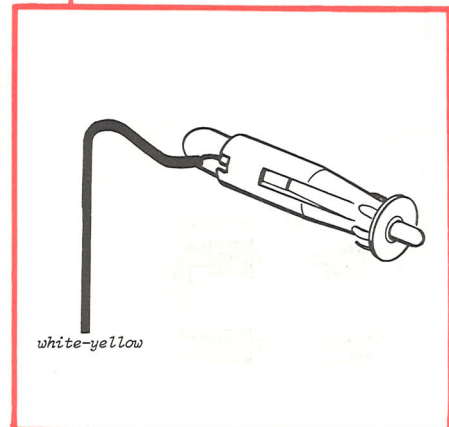
B 1978



C

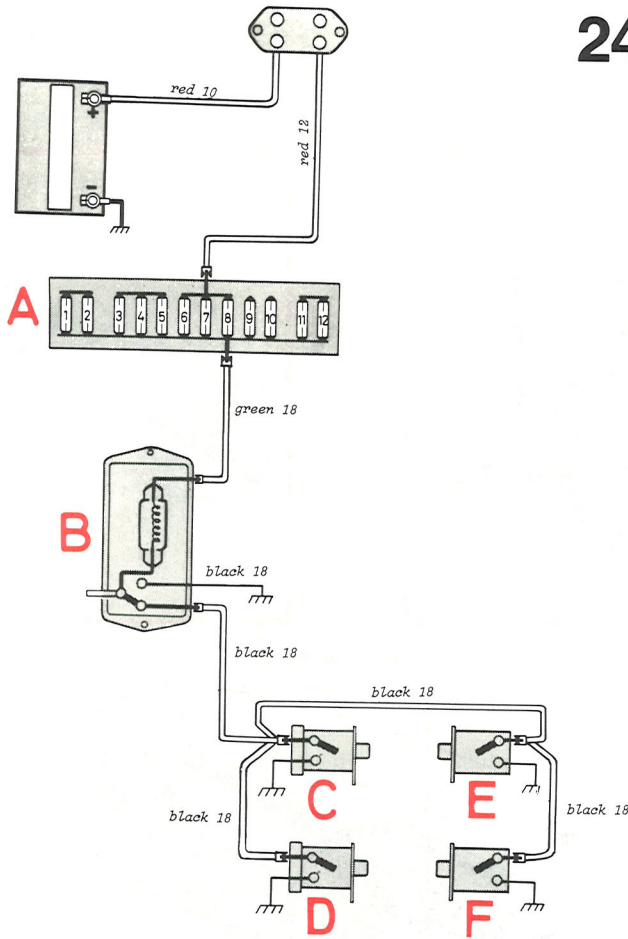


D



E

Interior light 240 1977 and 1978



1977: fuse No. 8

Brake lights
Interior light

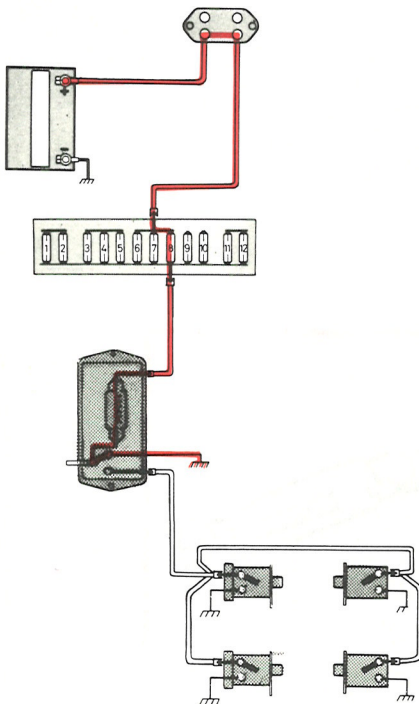
1978: fuse No. 8

Clock
Glove box light
Interior light
Hazard warning flasher

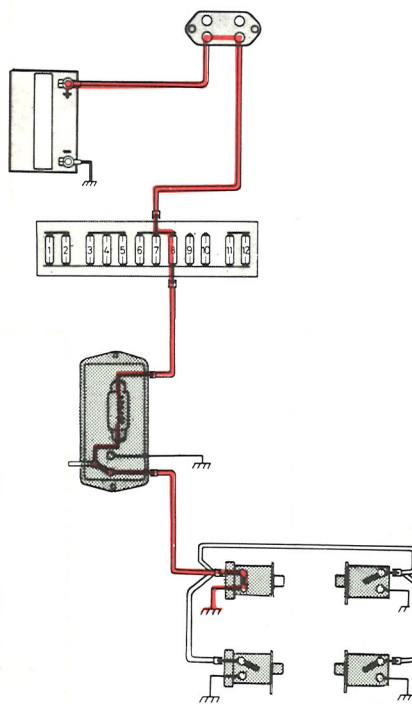
Legend:

- A Fuse box
- B Interior light
- C Door switch
- D Door switch (optional)
- E Door switch
- F Door switch (optional)

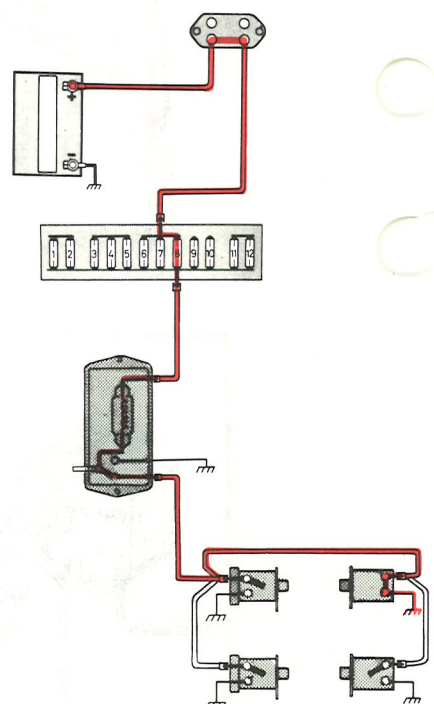
Doors closed,
interior light ON



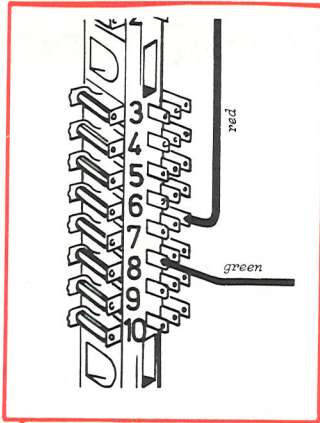
Left side door opened



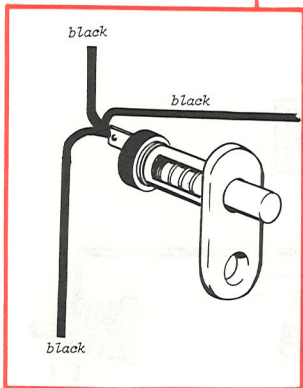
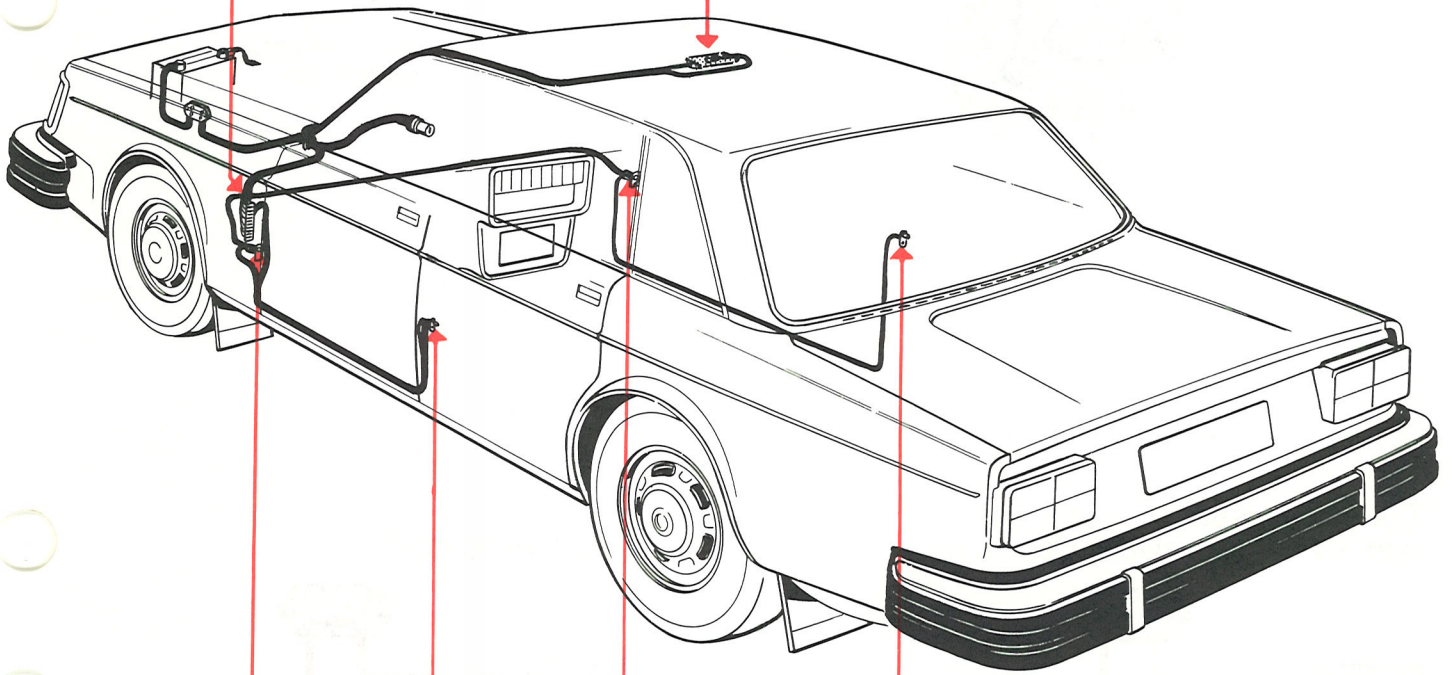
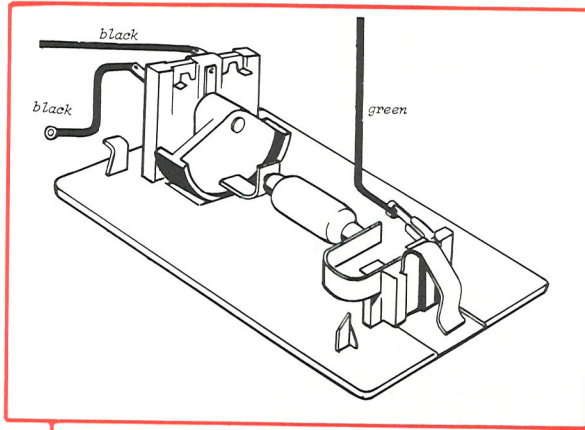
Right side door opened



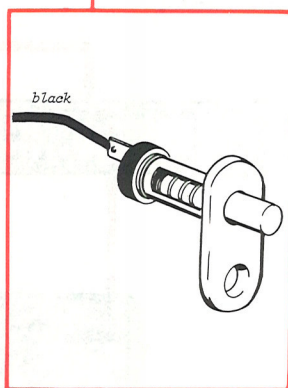
A



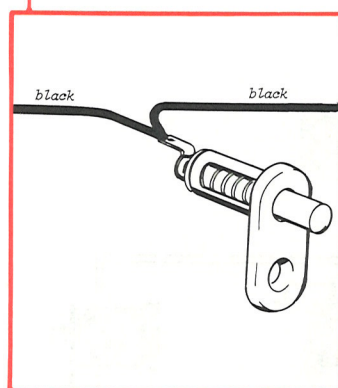
B



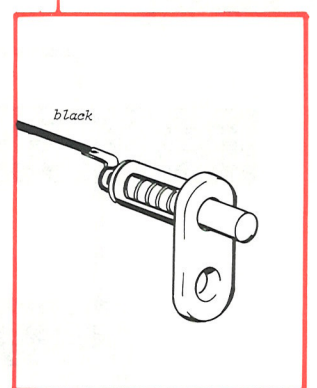
C



D

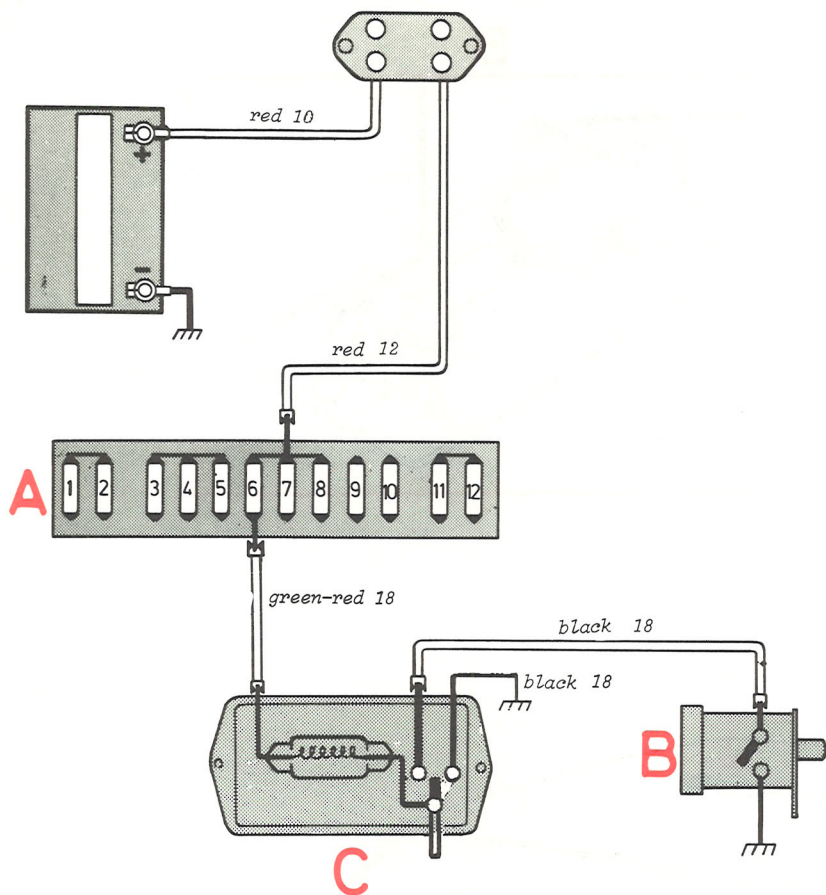


E



F

Rear interior light
245/1977 and 1978



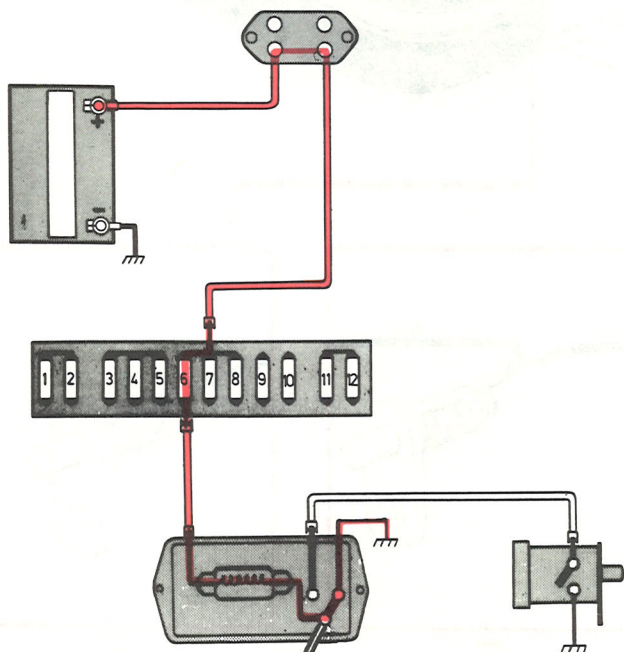
Rear interior light 245/1977 and 1978

1977: fuse No. 6
Hazard warning flashers
Engine compartment light
Trunk light
Rear interior light, 245

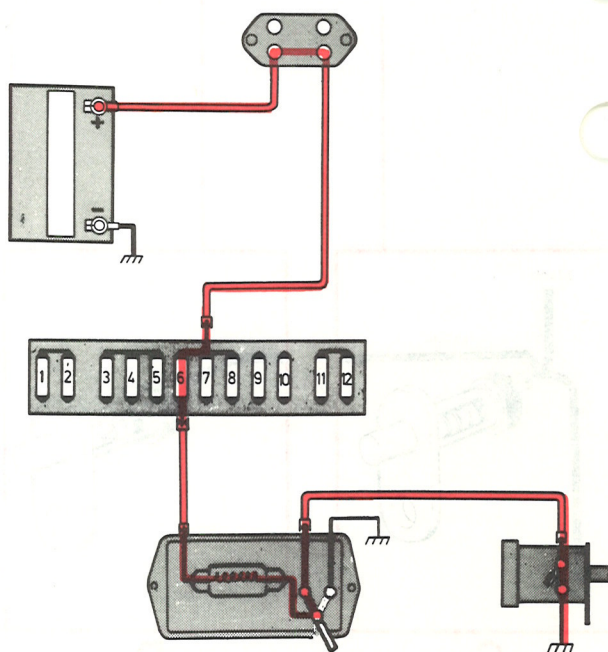
1978: fuse No. 6
Brake lights
Rear interior light, 245
Trunk light
Engine compartment light

Legend:
A Fuse box
B Tail gate switch
C Interior light

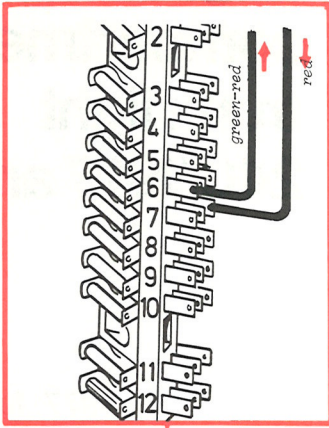
Tail gate closed,
rear interior light switch ON



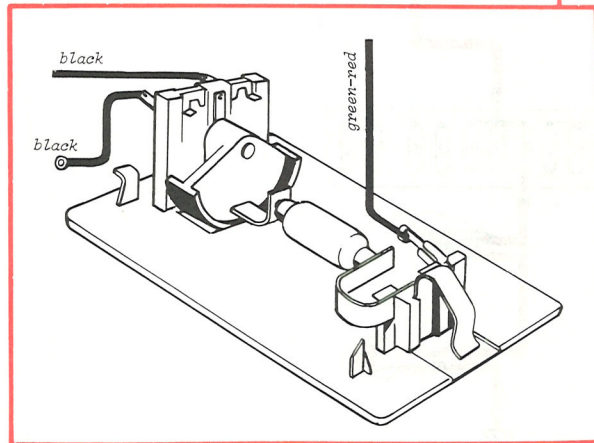
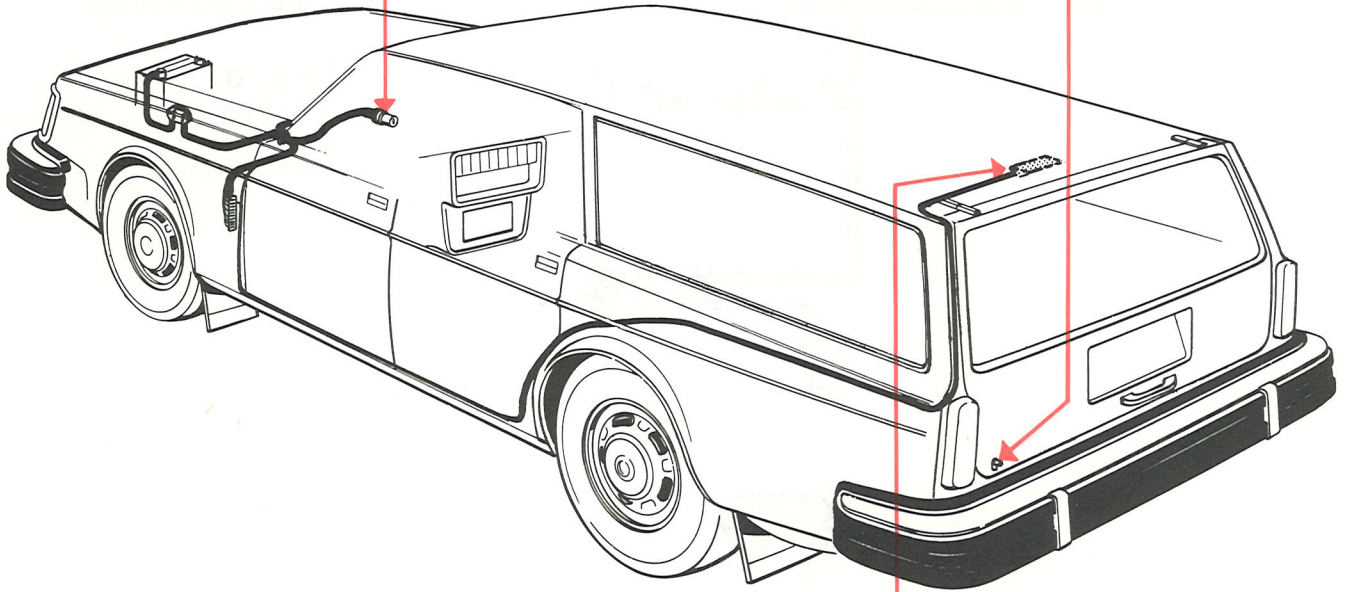
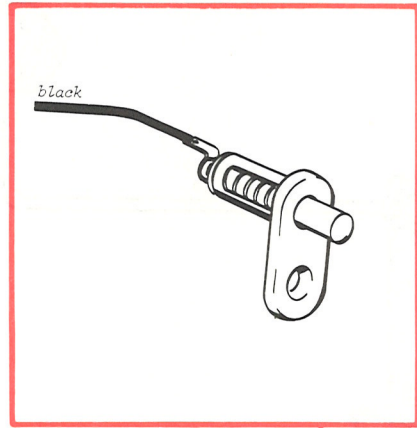
Tail gate opened



A



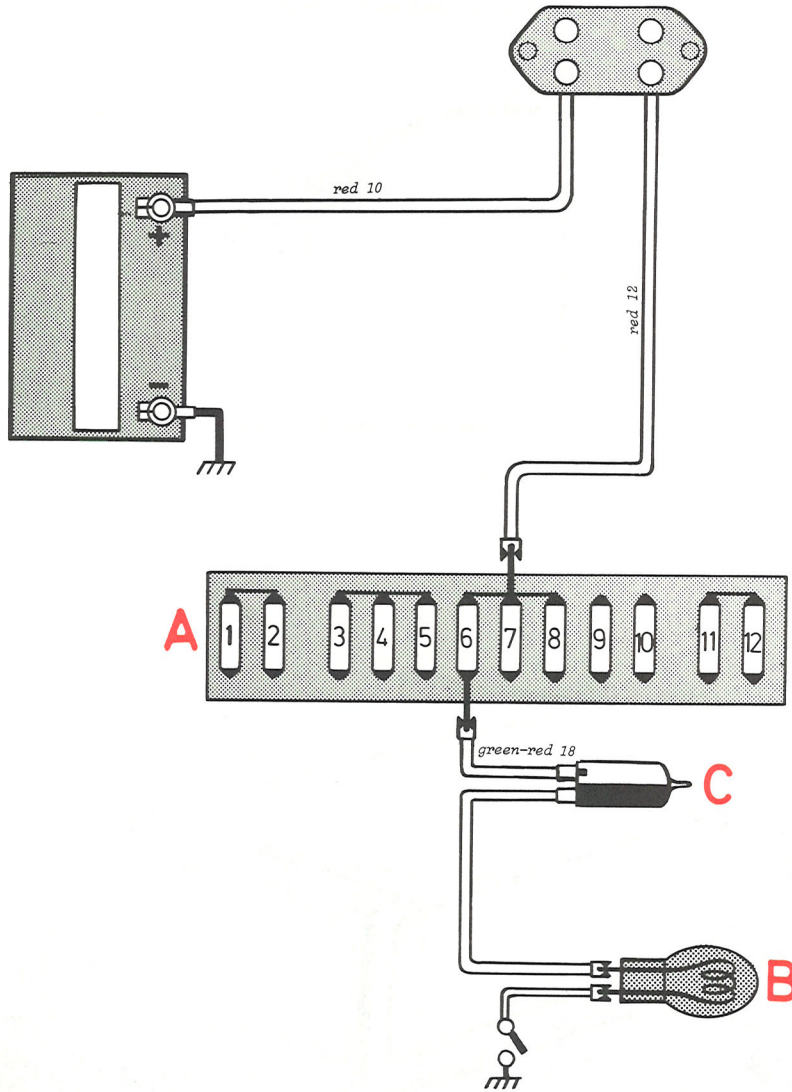
B



C

Engine compartment light,
trunk light
240/1977 and 1978

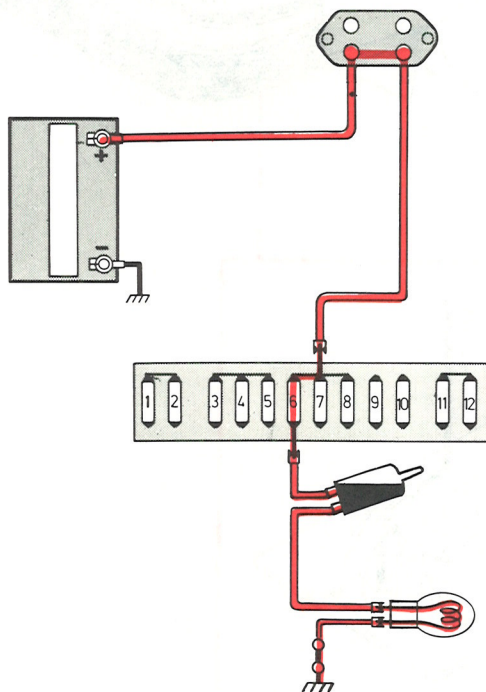
Engine compartment light trunk light 240/1977 and 1978



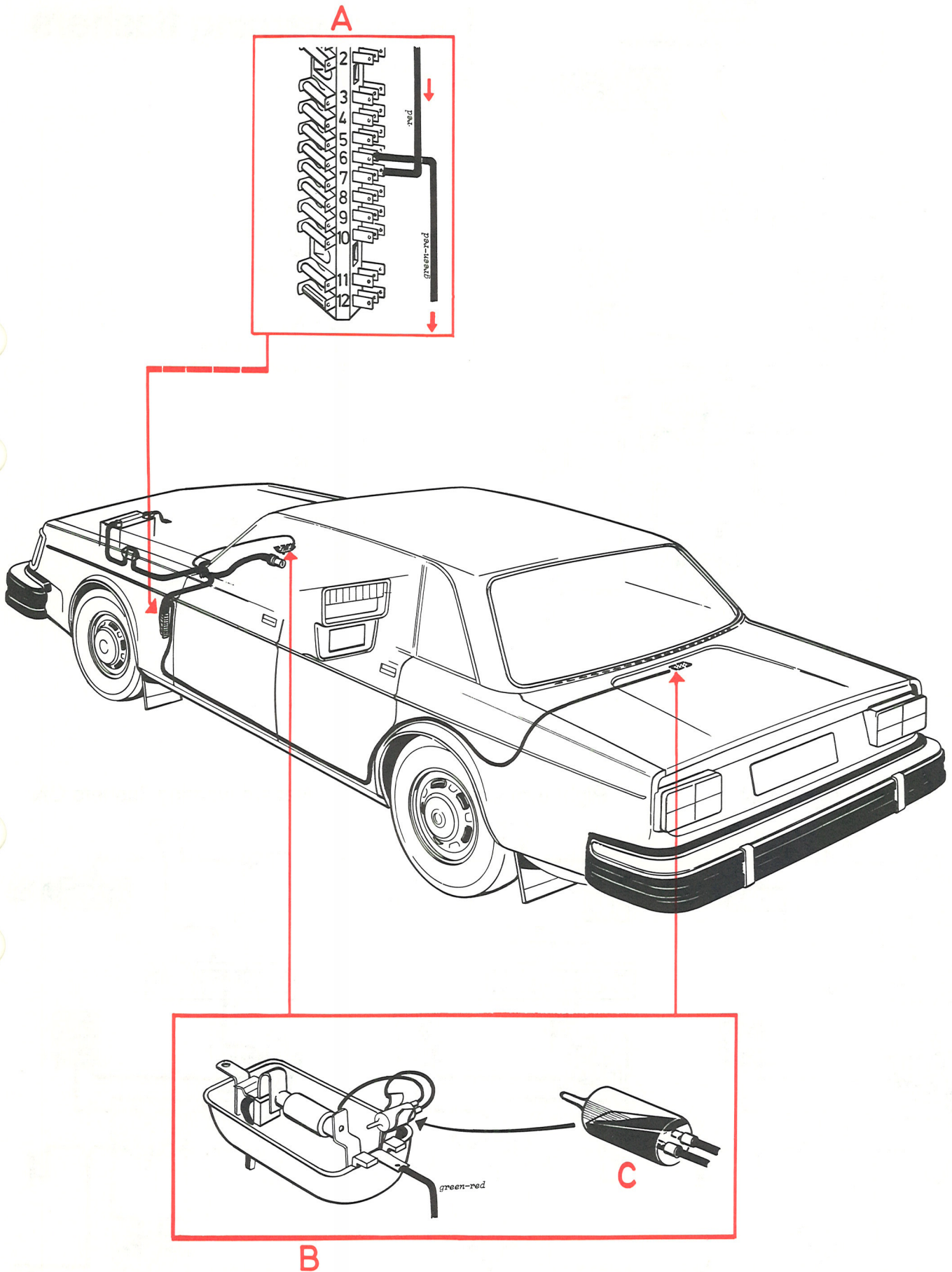
1977: fuse No. 6
Hazard warning flashers
Engine compartment light
Trunk light

1978: fuse No. 6
Brake lights
Rear interior light, 245
Trunk light
Engine compartment light

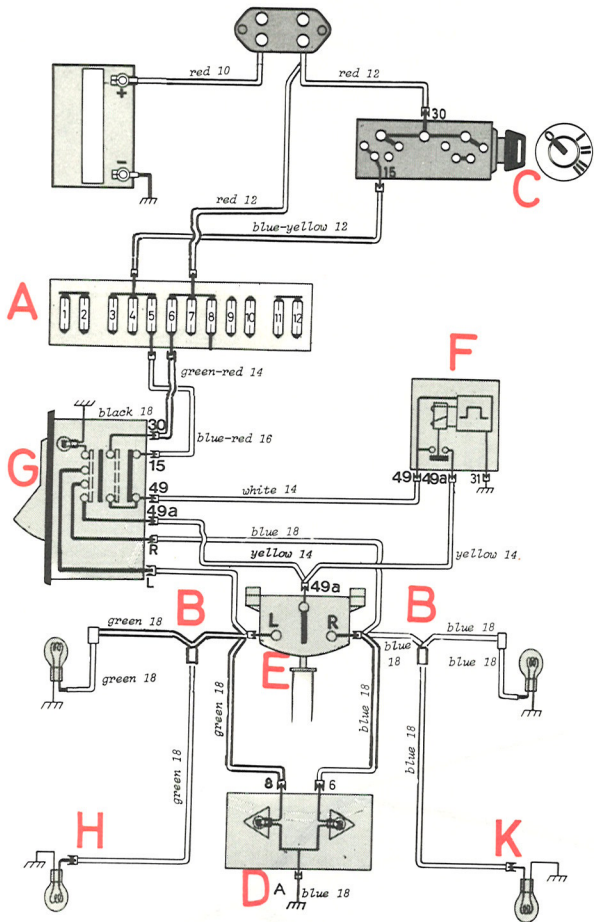
Legend:
A Fuse box
B Light
C Mercury switch



Engine hood/trunk lid opened



Turn signals, hazard warning flashers 240/1977

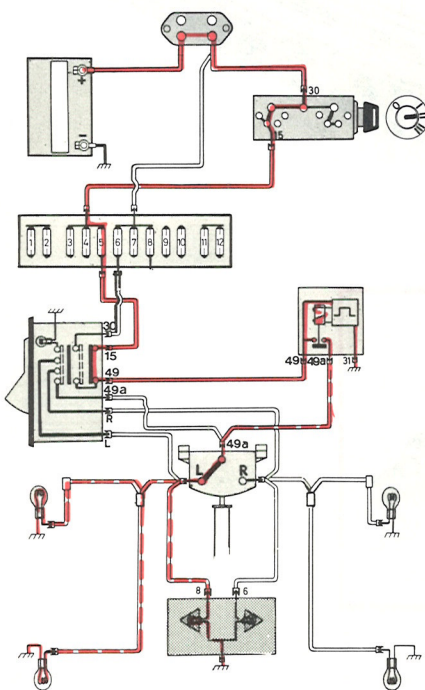


Fuse No. 5
Instrument cluster
Turn signals
Relay, CI system

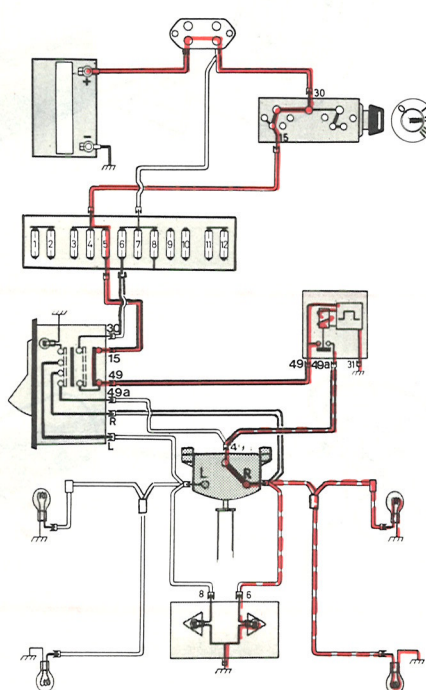
Fuse No. 6
Hazard warning flashers
Engine compartment light
Trunk light

- Legend:
- A Fuse box
 - B Connector
 - C Ignition lock
 - D Instrument connector
 - E Turn signal switch
 - F Flasher unit
 - G Switch, hazard warning flashers

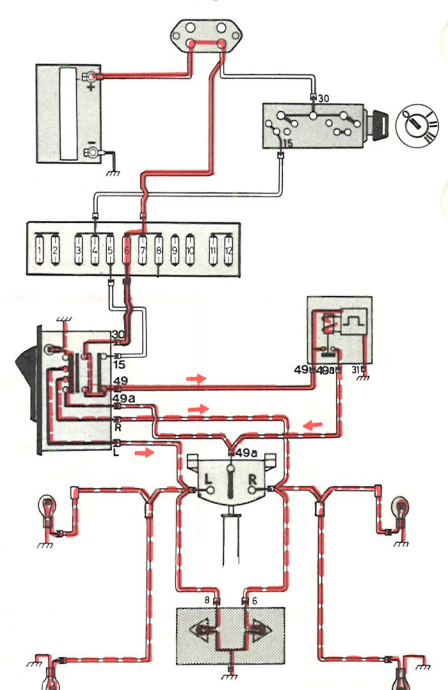
Left turn signal ON

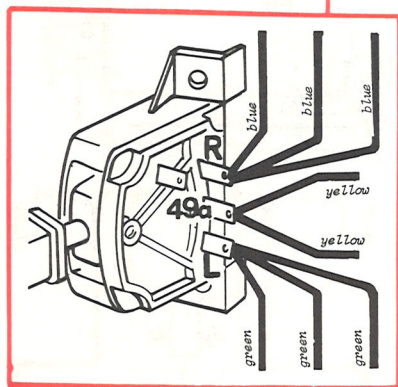
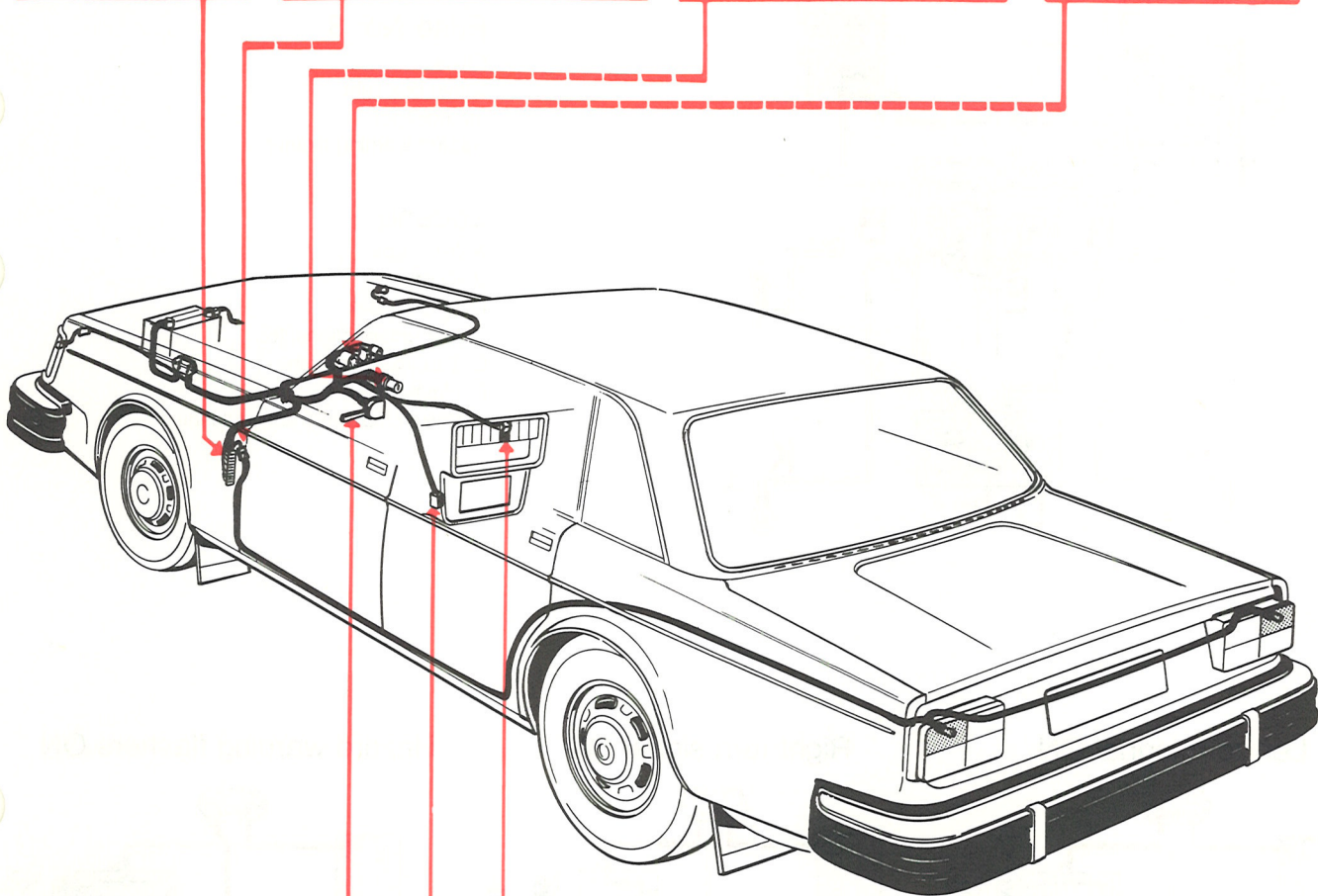
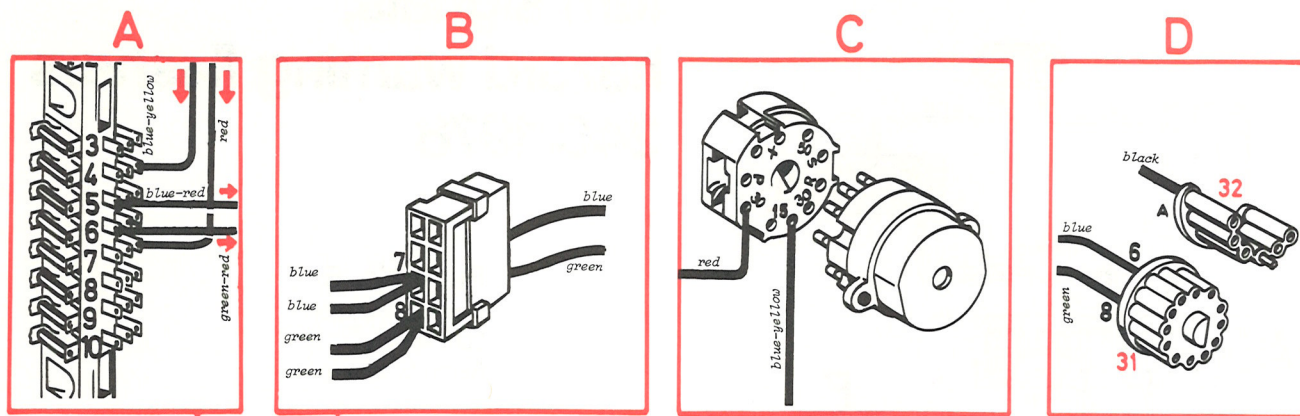


Right turn signal ON

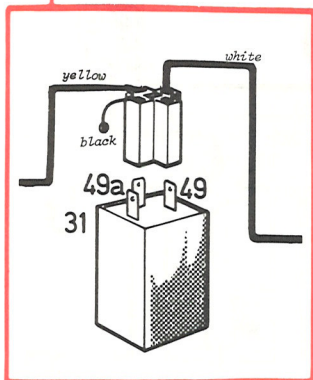


Hazard warning flashers ON

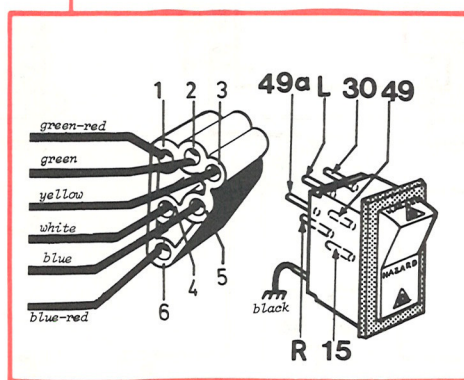




E

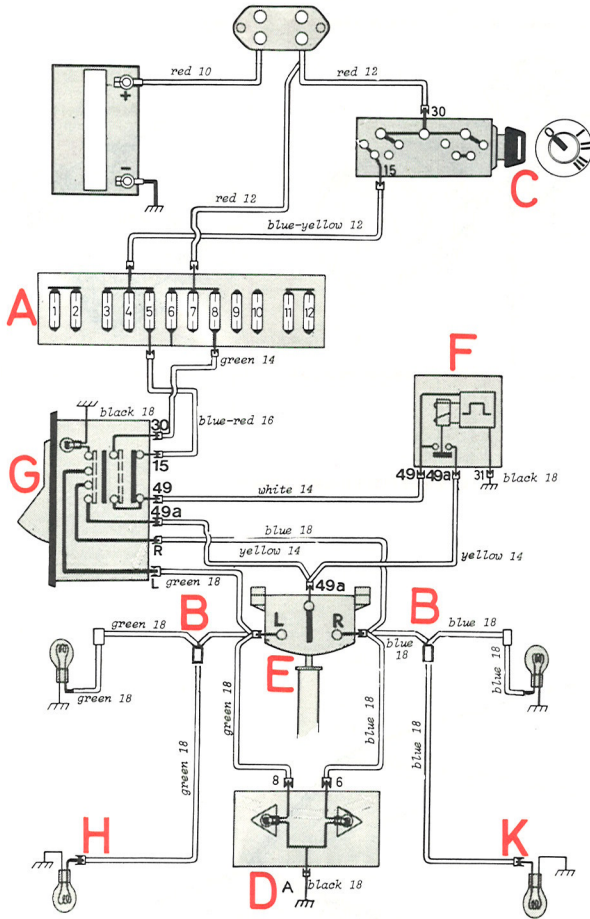


F



G

Turn signals, hazard warning flashers 240/1978



Fuse No. 5

Instrument cluster
Turn signals
Relay, CI system

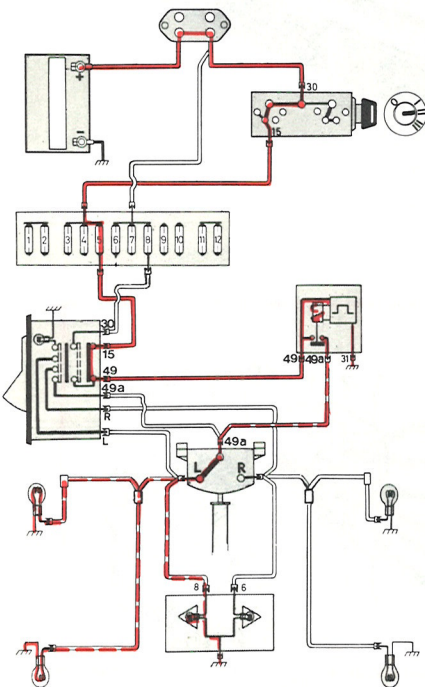
Fuse No. 8

Clock
Glove box light
Interior light
Hazard warning flasher

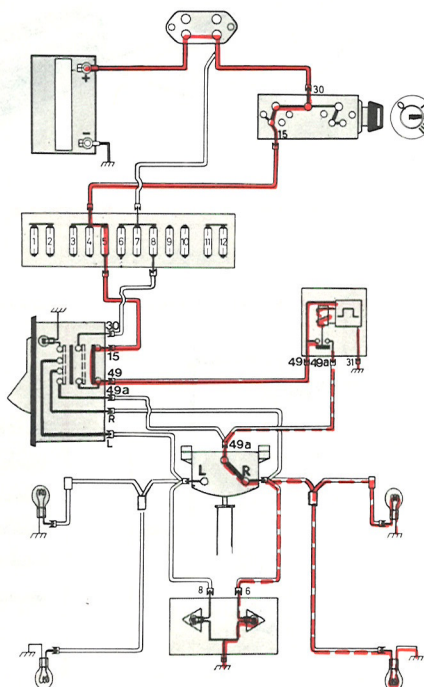
Legend:

- A Fuse box
- B Connector
- C Ignition lock
- D Instrument connector
- E Turn signal switch
- F Flasher unit
- G Switch, hazard warning flashers

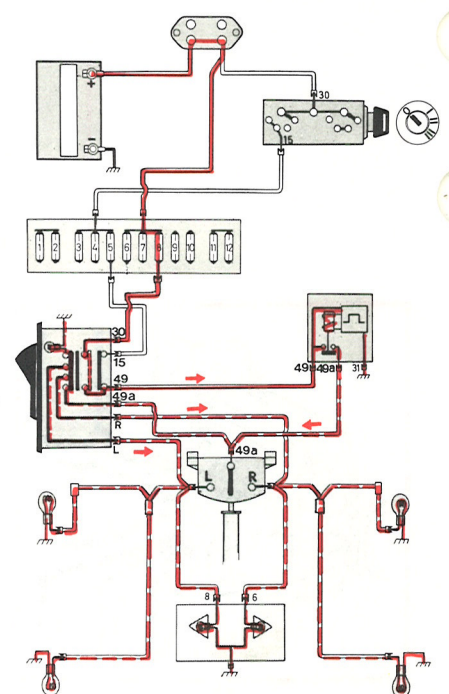
Left turn signal ON

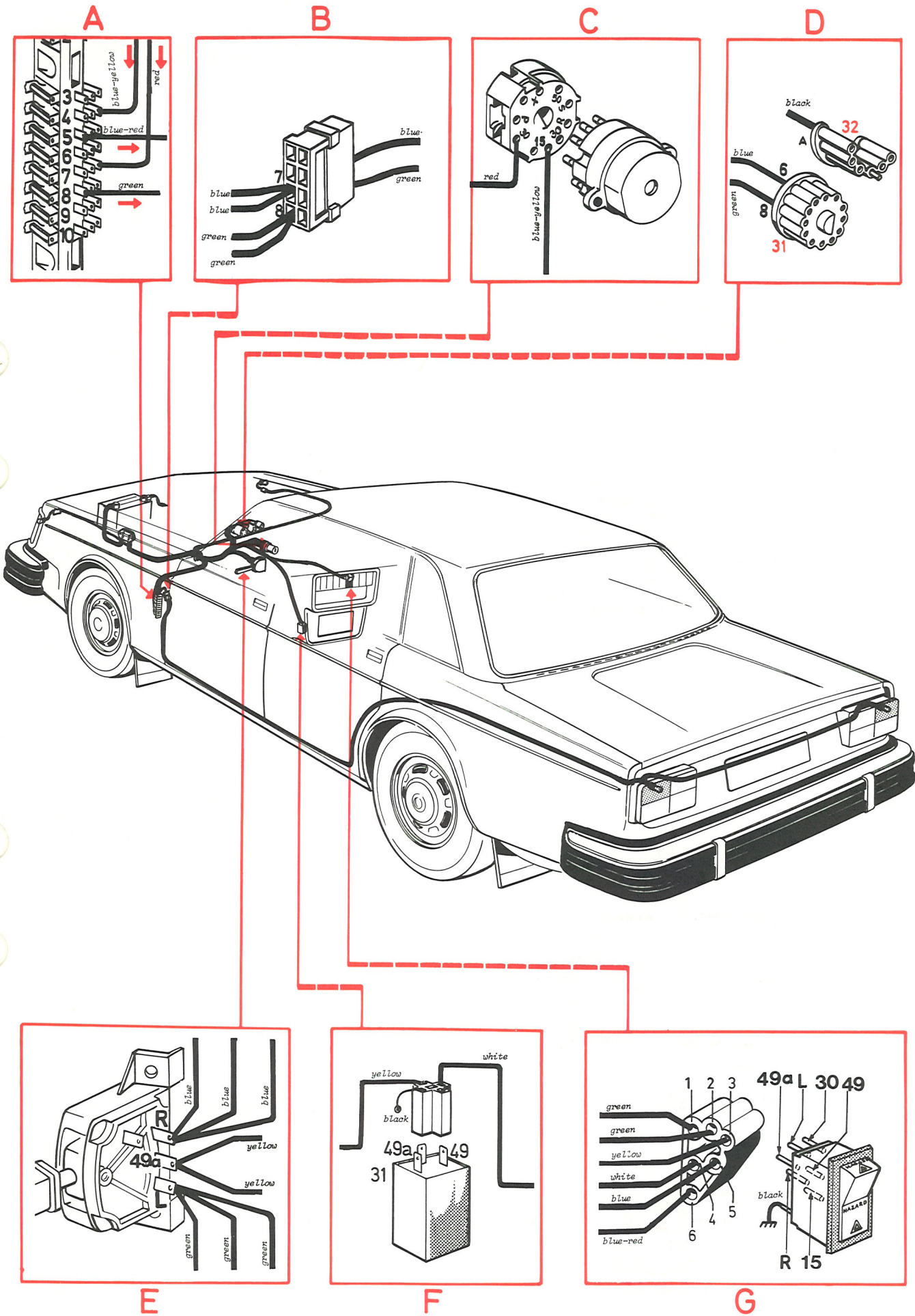


Right turn signal ON

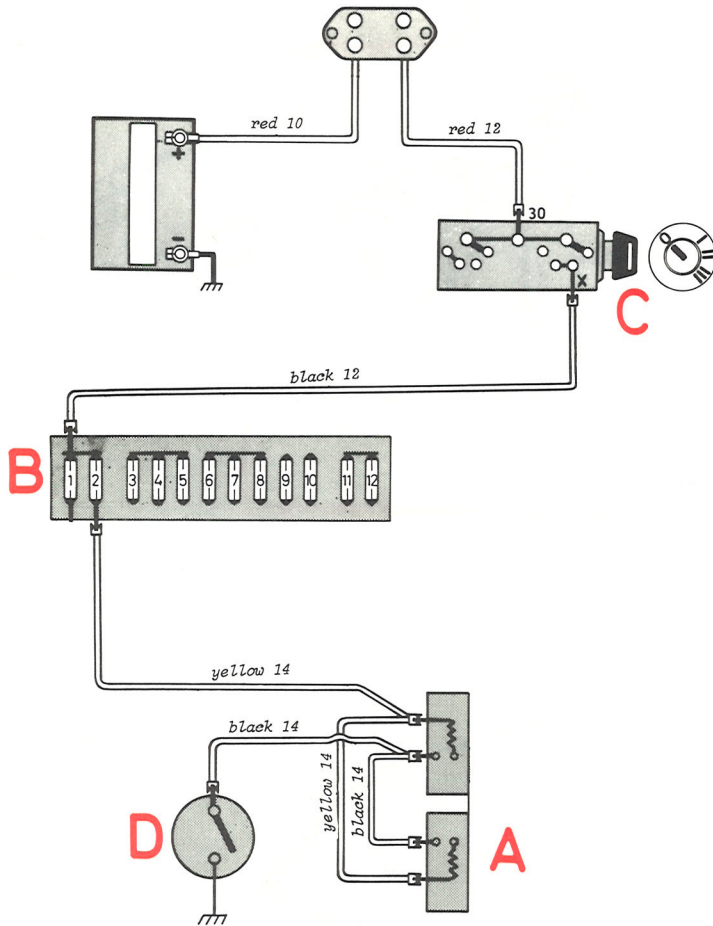


Hazard warning flashers ON





Horn 240/1977 and 1978

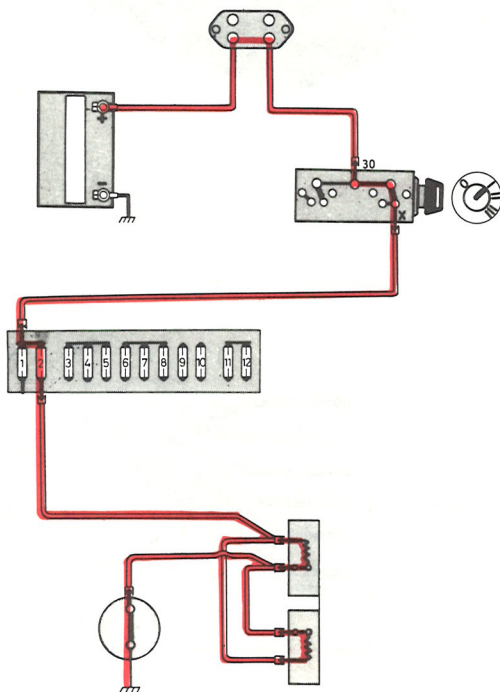


1977: fuse No. 2
Heater blower
Horn
Windshield wiper/washer

1978: fuse No. 2
Heater blower
Horn
Radio

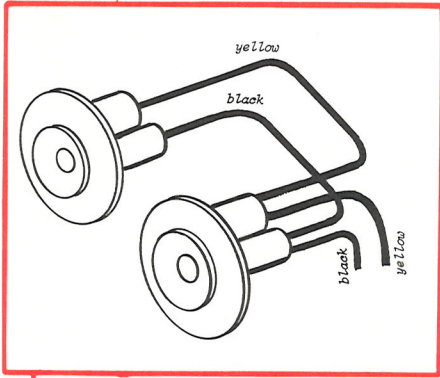
Legend:

- A Horns
- B Fuse box
- C Ignition switch
- D Horn contact

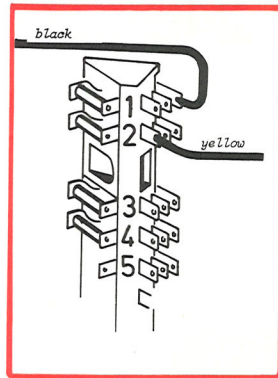


Horn contact depressed

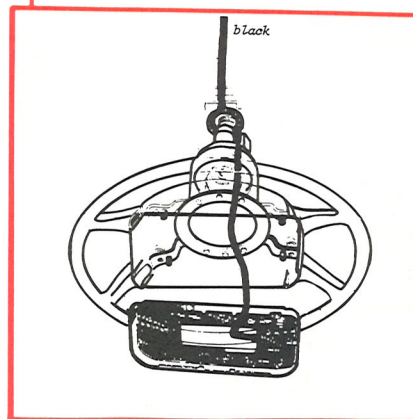
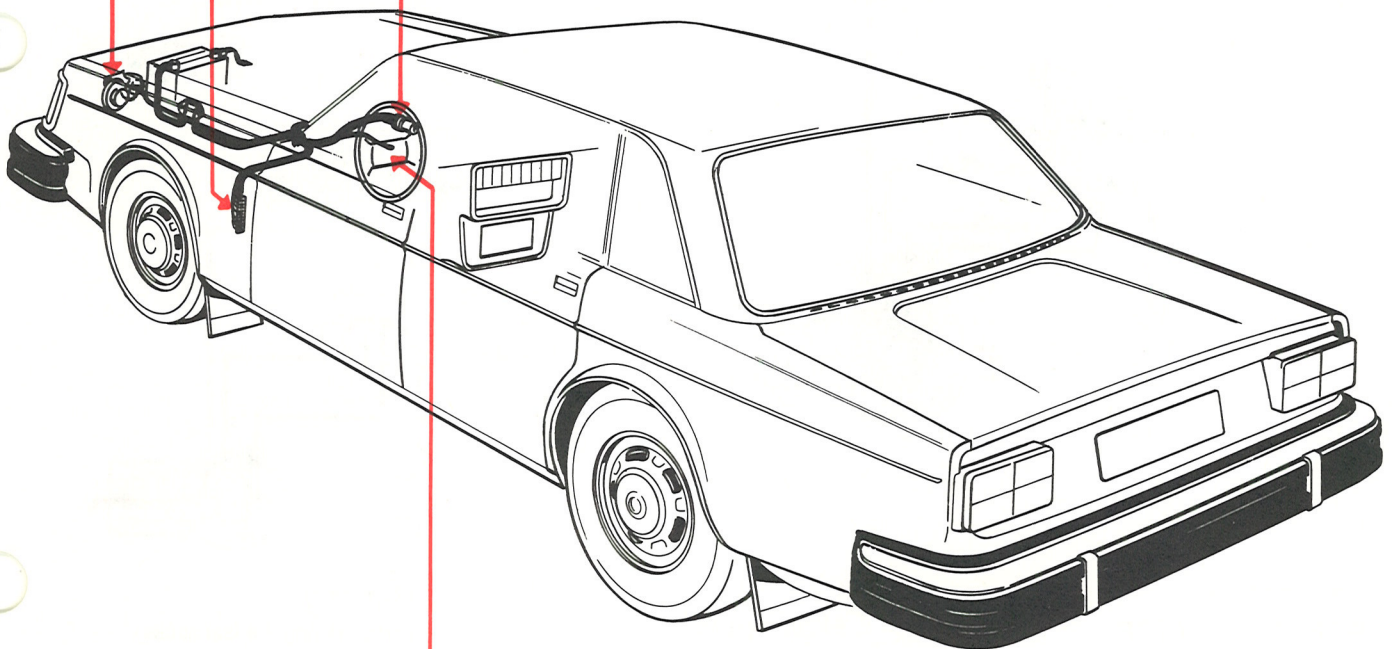
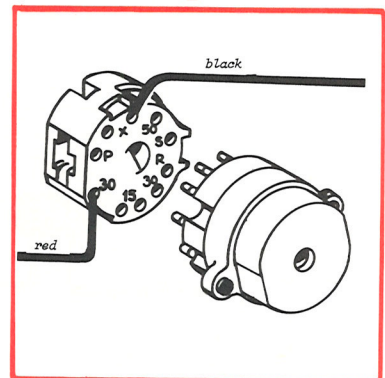
A



B



C



D

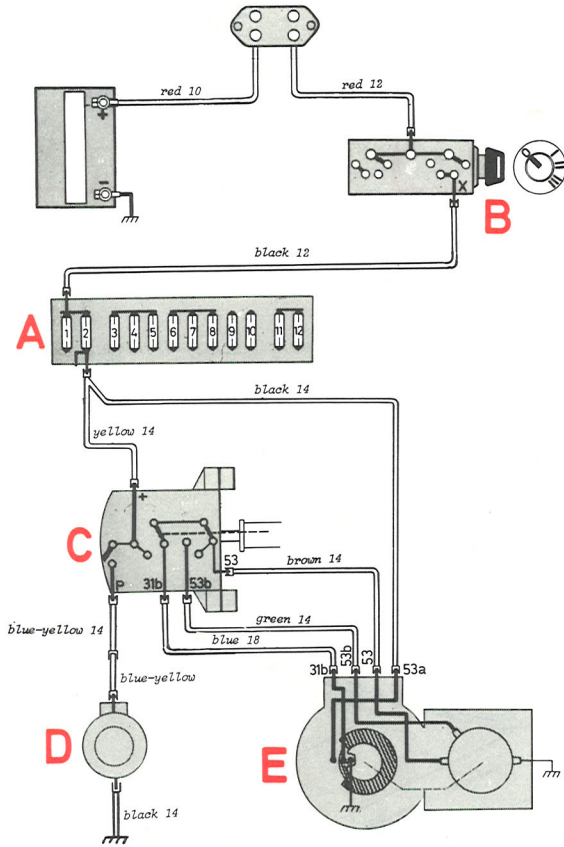
Windshield wiper and washer 240/1977

Fuse No. 2

- Heater blower
- Horn
- Windshield wiper/washer

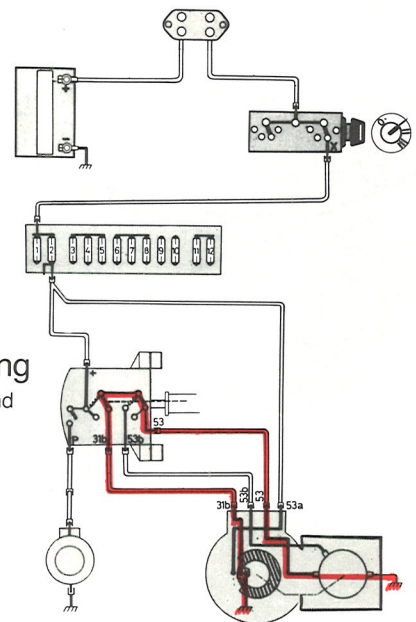
Legend:

- A Fuse box
- B Ignition lock
- C Switch, windshield wiper/washer
- D Washer motor
- E Wiper motor

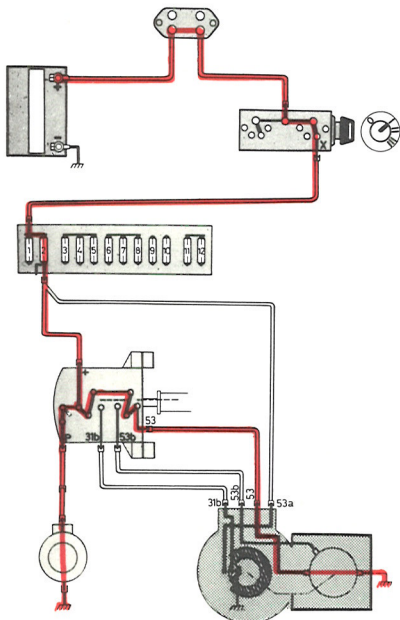


Stopping

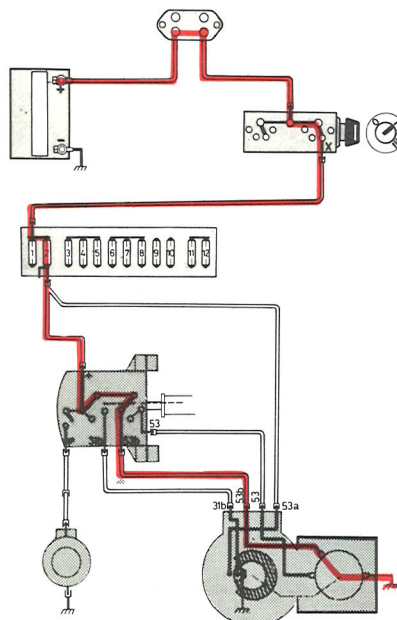
Closed and grounded circuit stops motor quickly



Low speed, washer operation

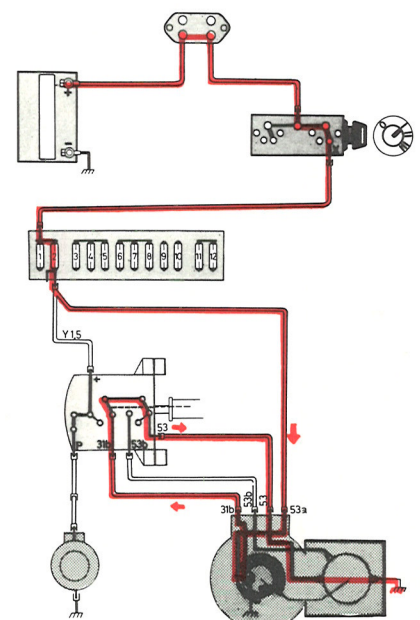


High speed

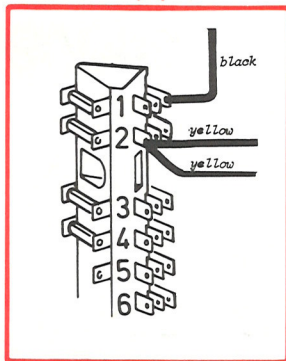


Parking

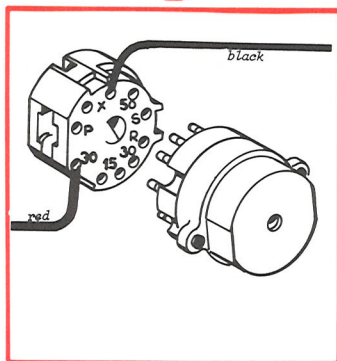
(circuit during the last stroke)



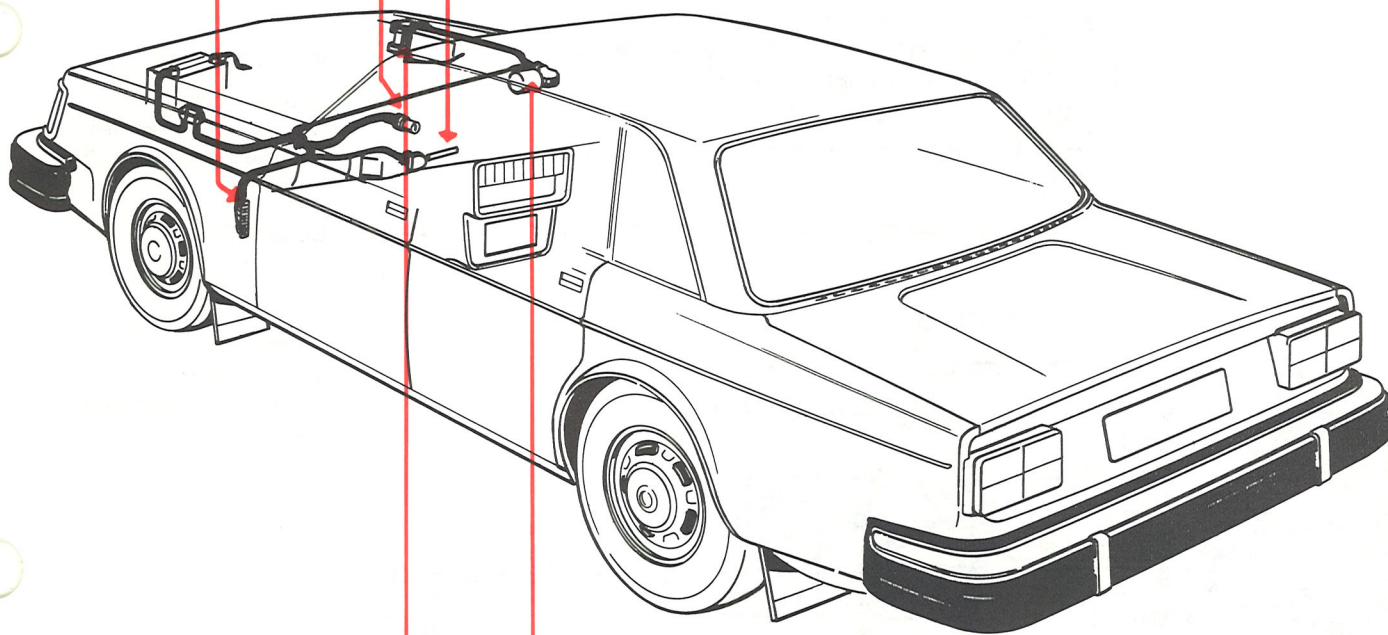
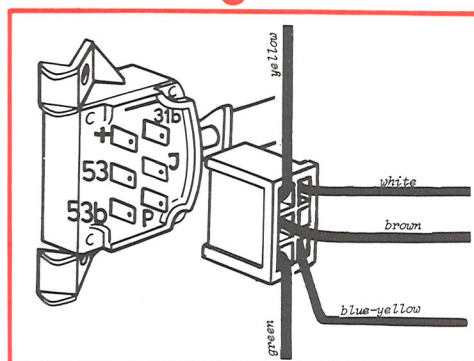
A



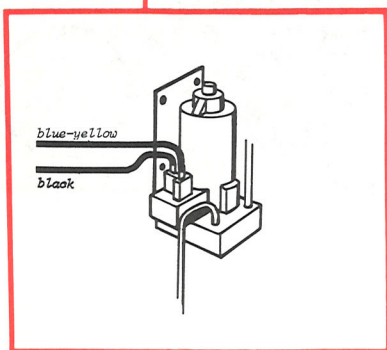
B



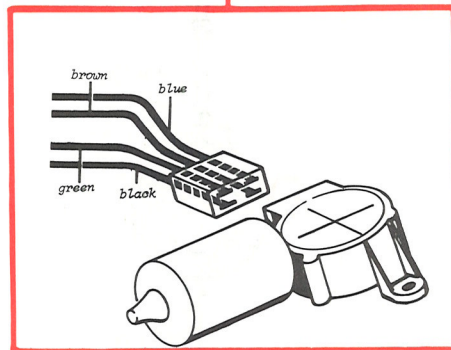
C



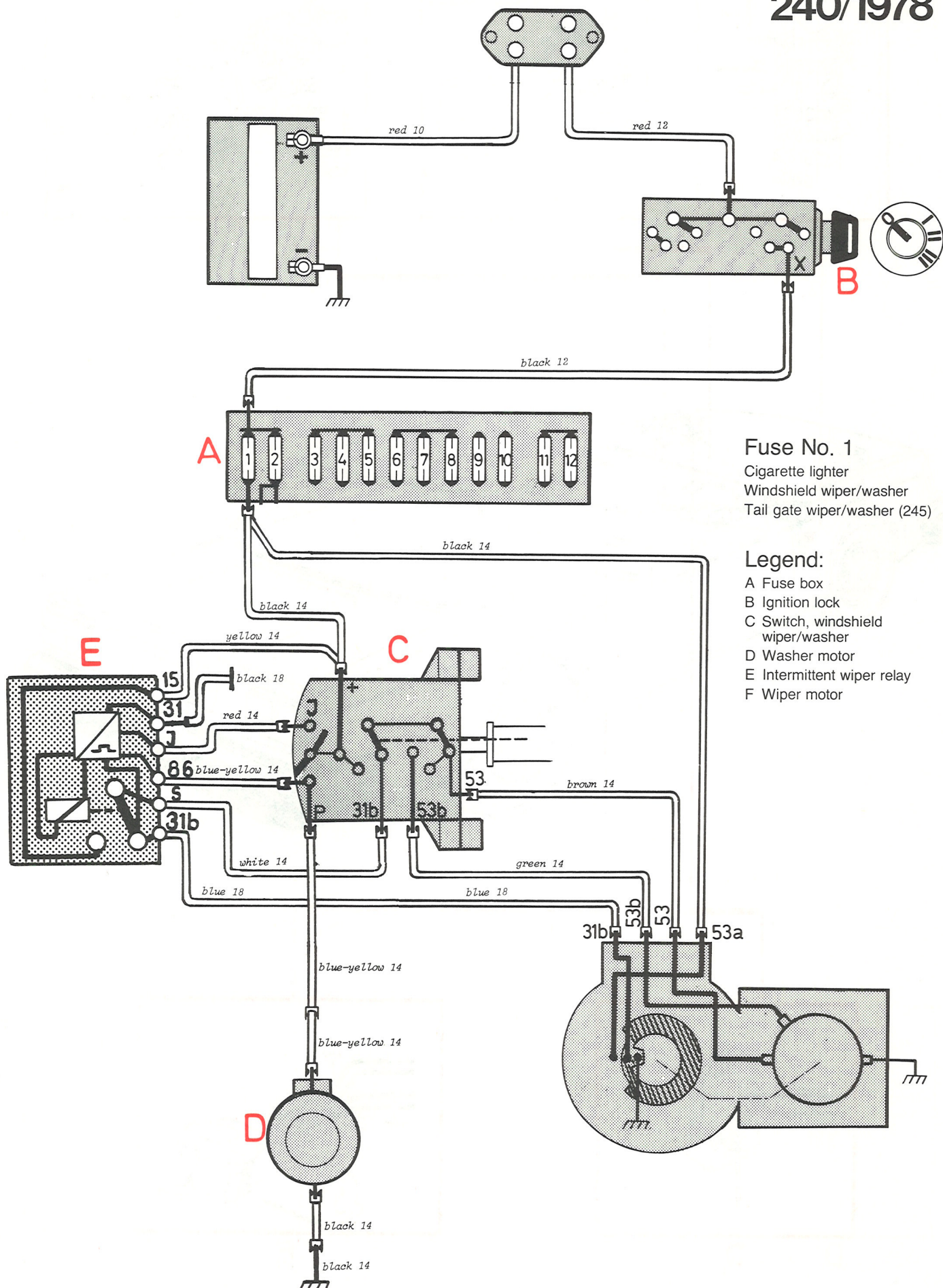
D



E



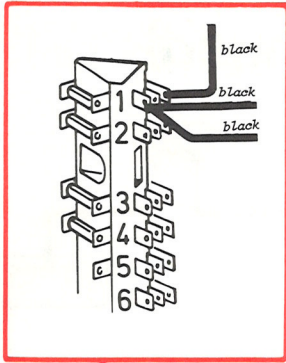
Windshield wiper and washer 240/1978



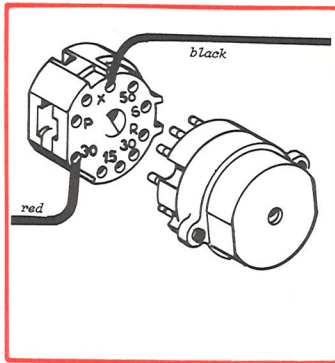
Fuse No. 1
Cigarette lighter
Windshield wiper/washer
Tail gate wiper/washer (245)

Legend:
A Fuse box
B Ignition lock
C Switch, windshield wiper/washer
D Washer motor
E Intermittent wiper relay
F Wiper motor

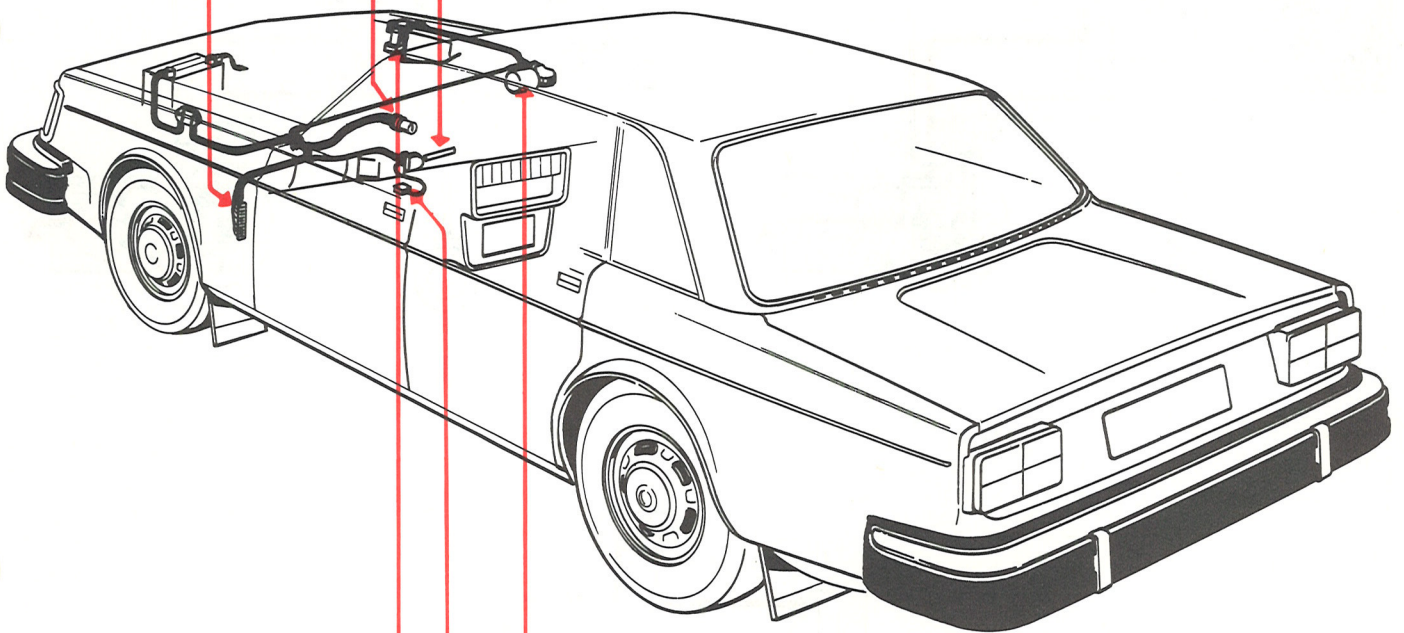
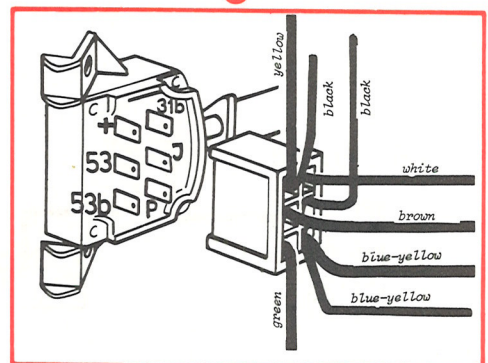
A



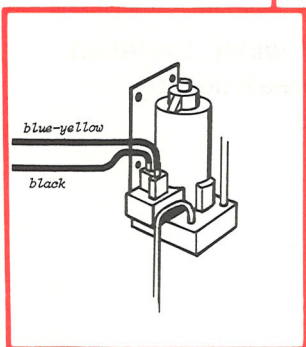
B



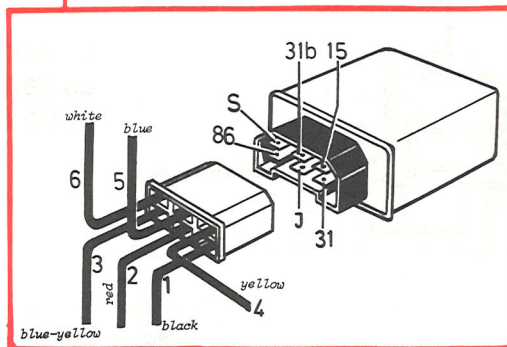
C



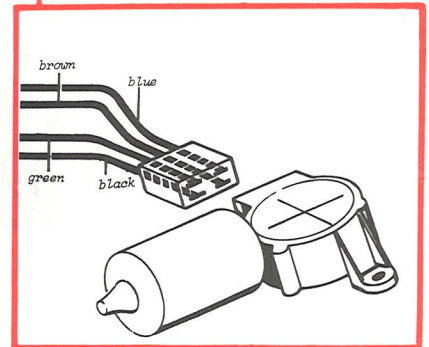
D



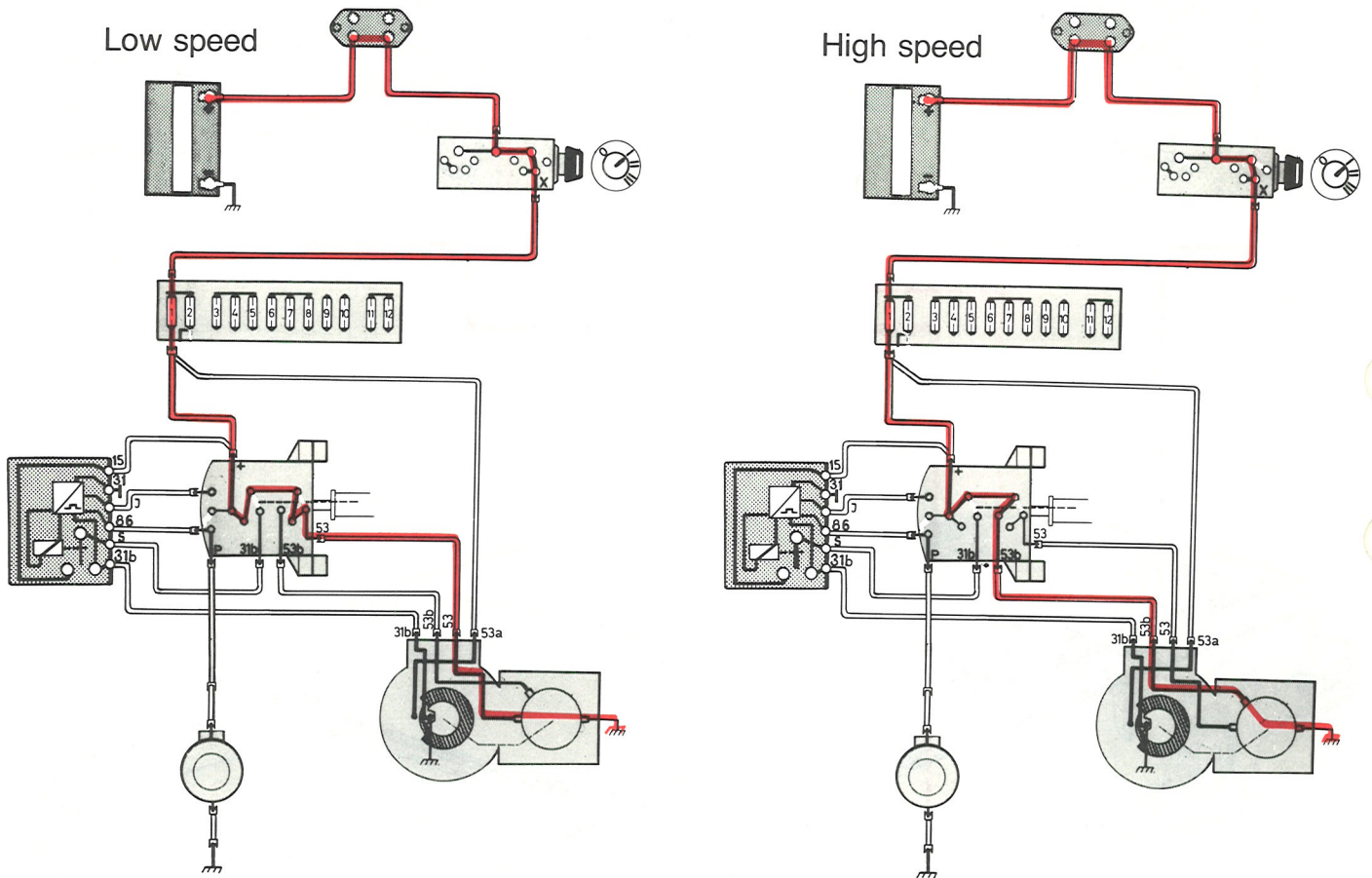
E



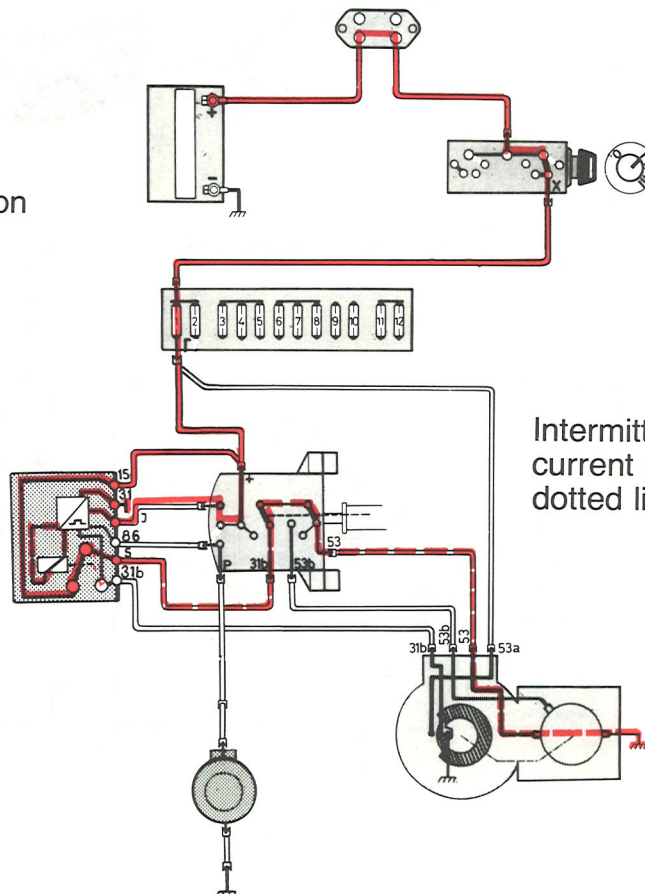
F



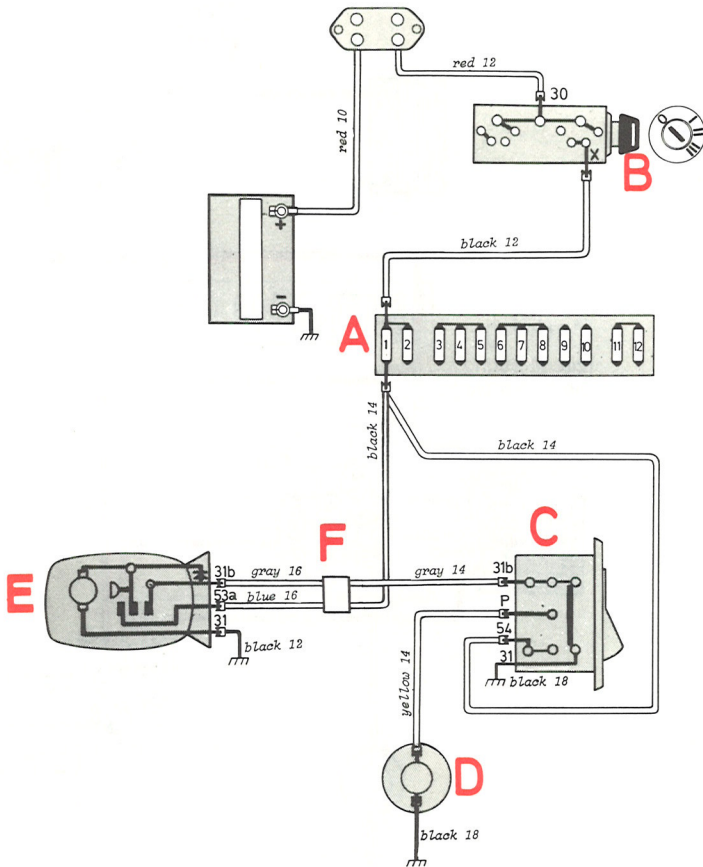
Windshield wiper and washer 240/1978 (continued)



Intermittent
wiper operation



Tail gate window wiper and washer 245/1977 and 1978



1977: fuse No. 1

Cigarette lighter
Tail gate window wiper and washer (245)

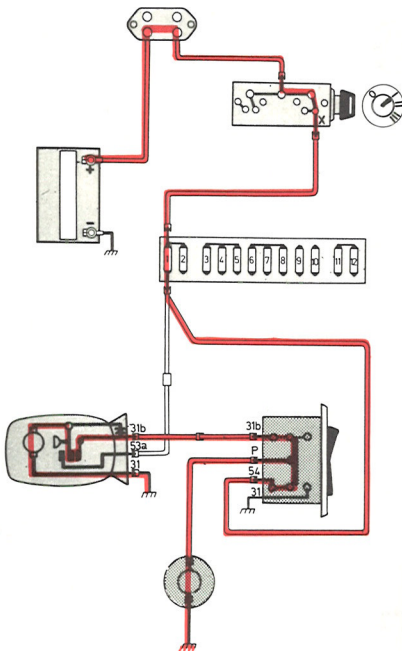
1978: fuse No. 1

Cigarette lighter
Windshield wiper/washer
Tail gate window wiper and washer (245)

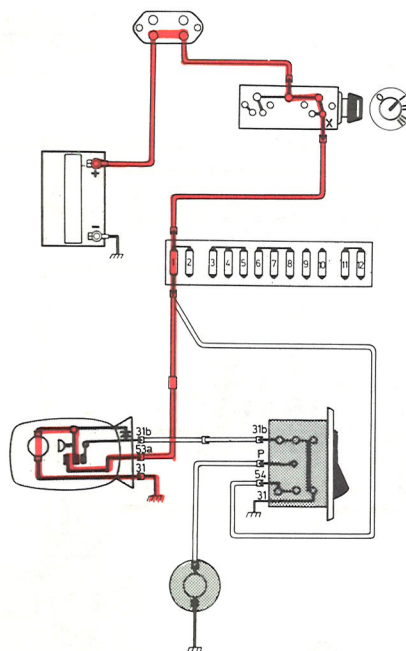
Legend:

- A Fuse box
- B Ignition lock
- C Tail gate window wiper and washer switch
- D Washer motor
- E Wiper motor

Tail gate wiper and washer operating

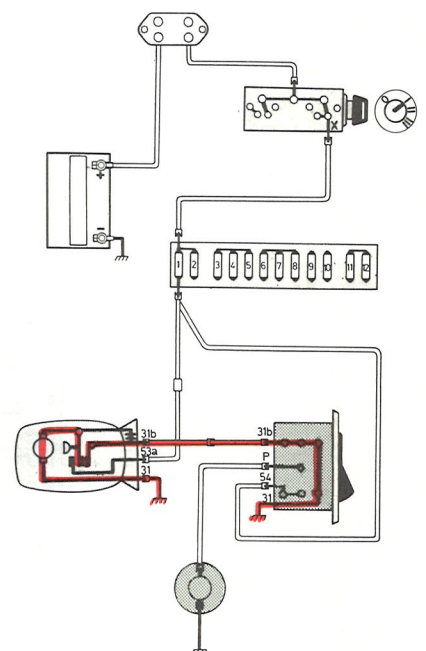


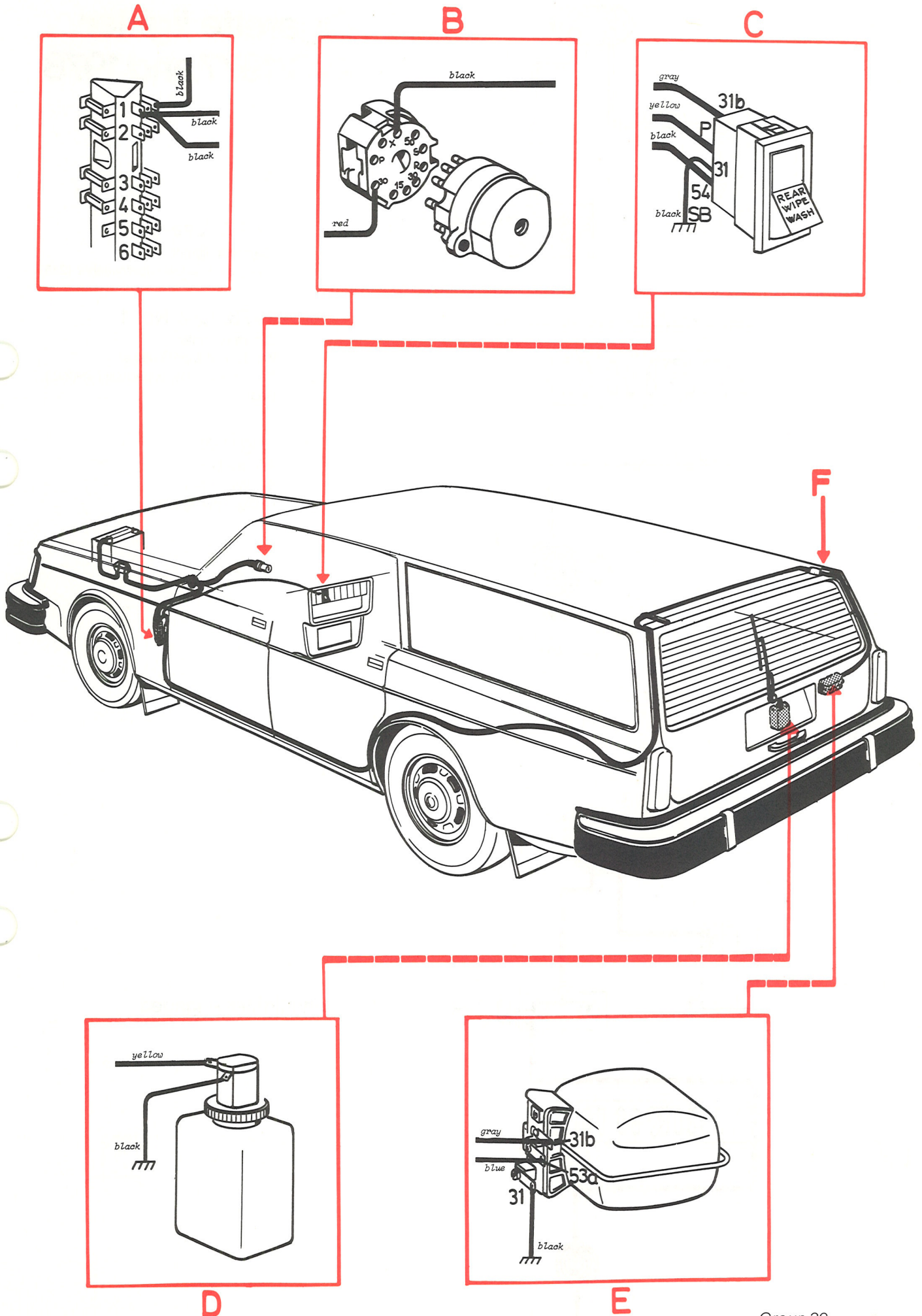
Switch to PARK position



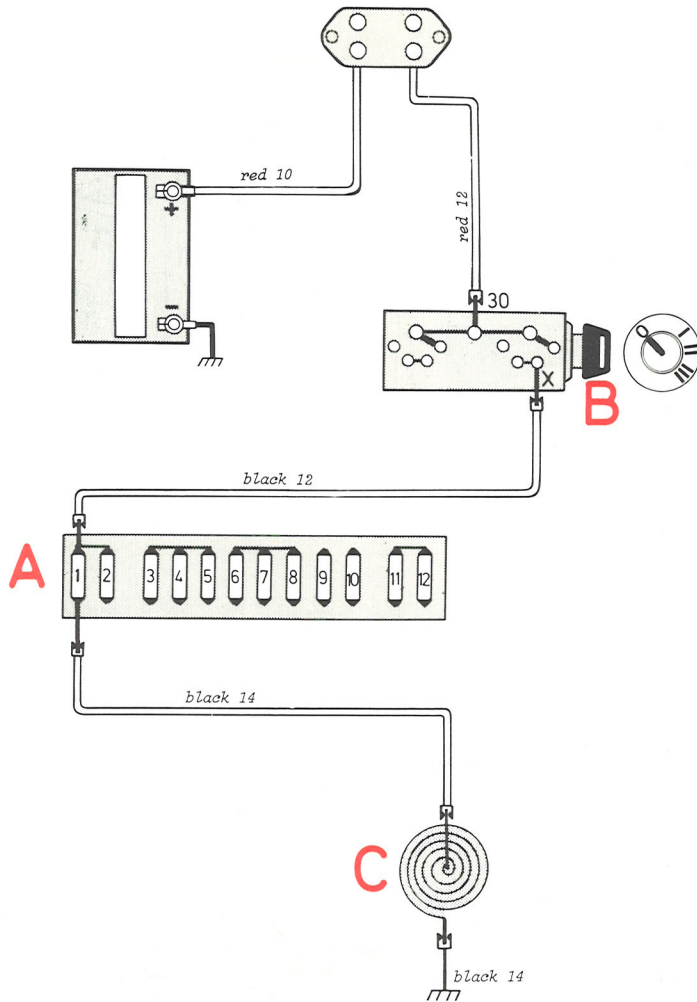
Stopping

Closed and grounded circuit stops motor quickly.





Cigarette lighter 240/1977 and 1978



1977: fuse No. 1

Cigarette lighter
Tail gate window wiper/washer (245)

1978: fuse No. 1

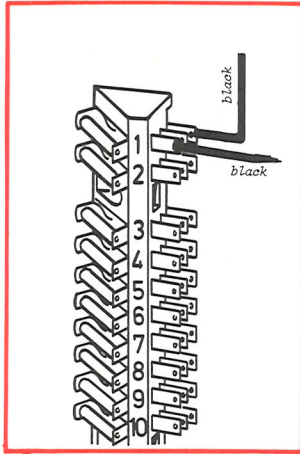
Cigarette lighter
Windshield wiper/washer
Tail gate window wiper/washer (245)
Radio

Legend:

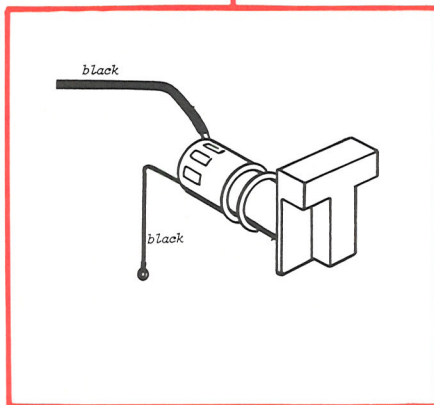
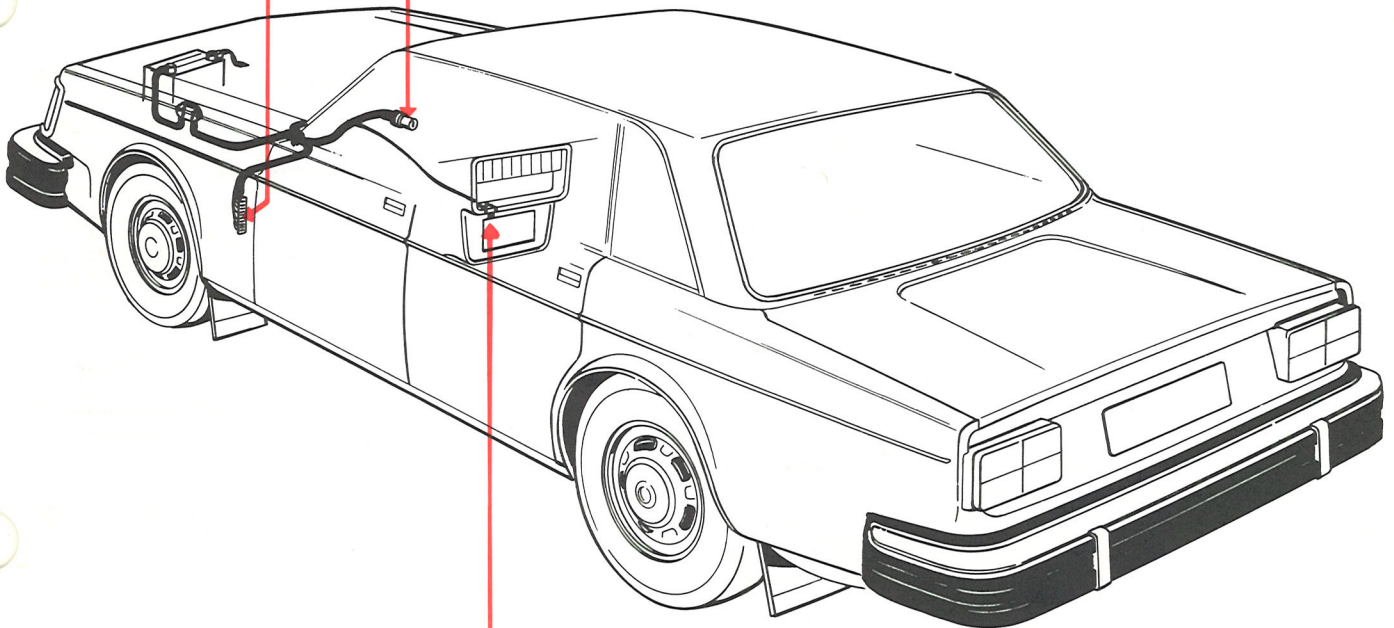
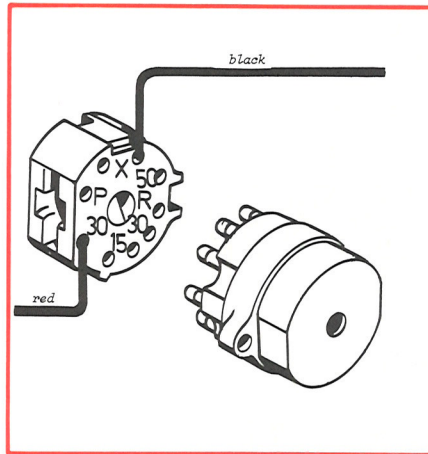
A Fuse box
B Ignition lock
C Cigarette lighter

Cigarette lighter engaged

A

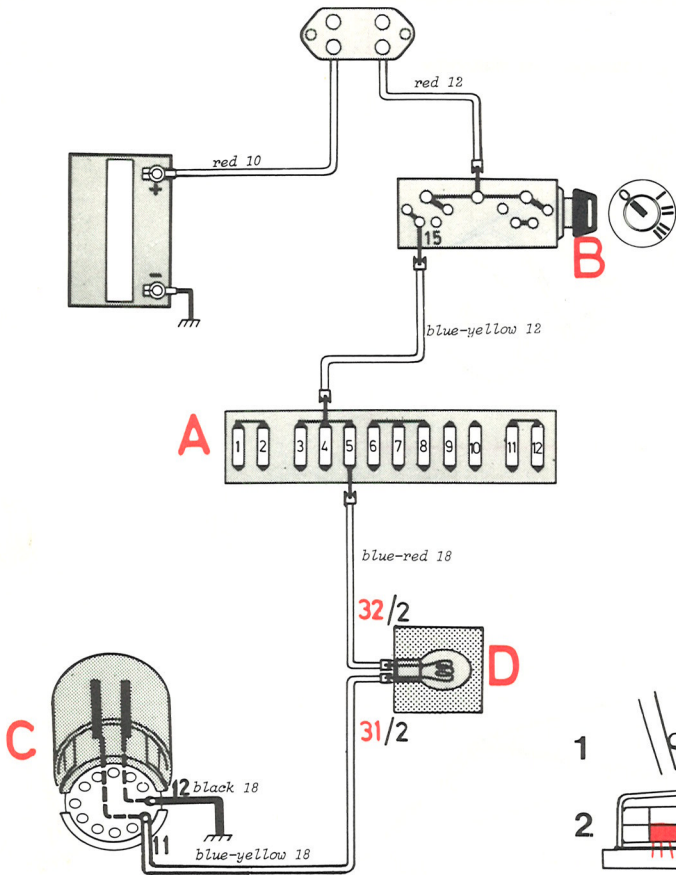


B



C

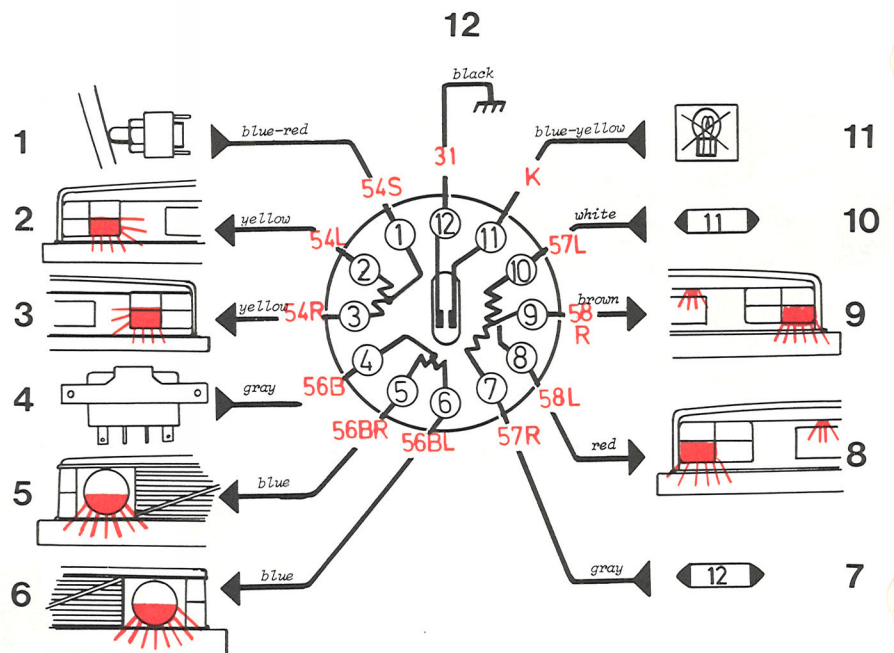
Bulb failure warning light system 240/1977



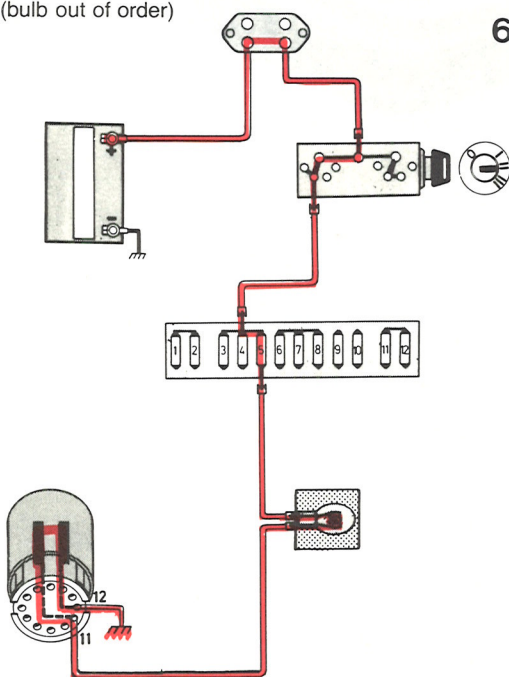
Fuse No. 5
Instrument cluster
Turn signals
Relay, CI system

Legend:

- A Fuse box
- B Ignition lock
- C Bulb failure sensor
- D Bulb failure warning light



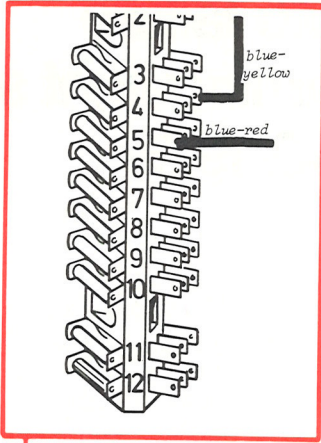
Bulb failure sensor activated (bulb out of order)



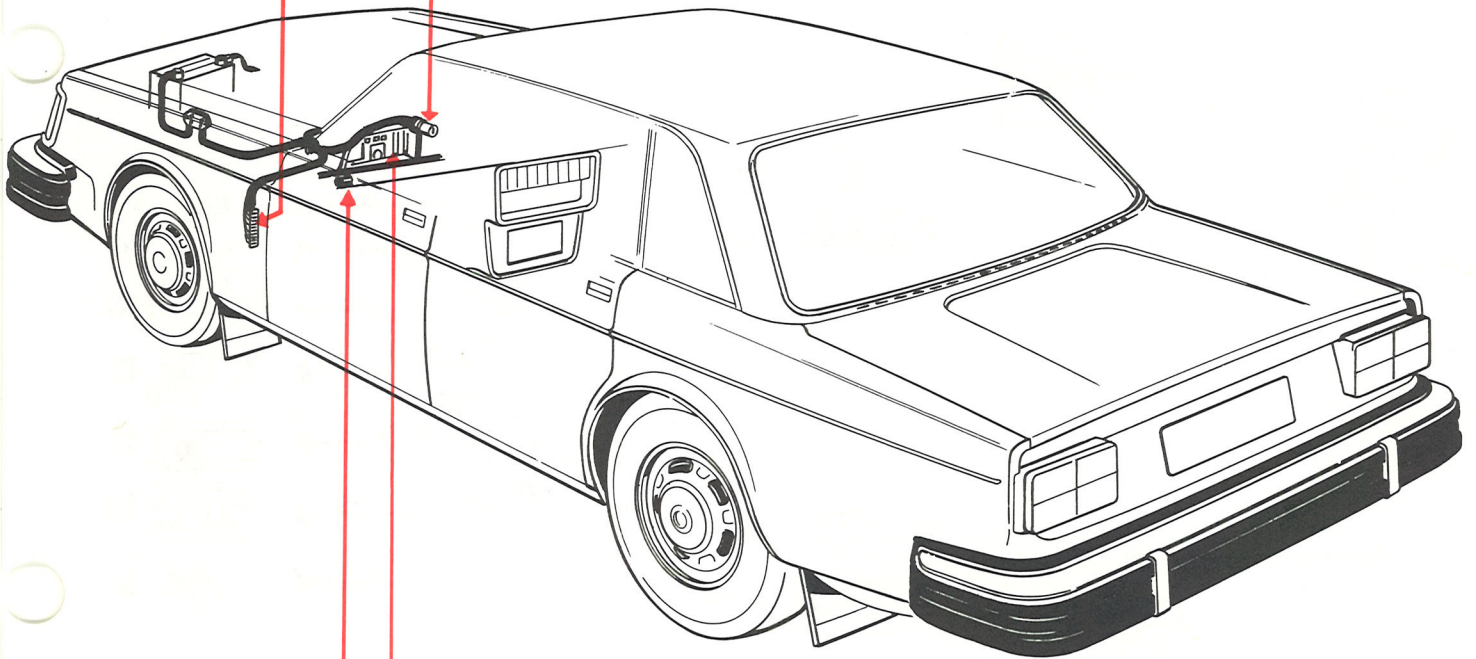
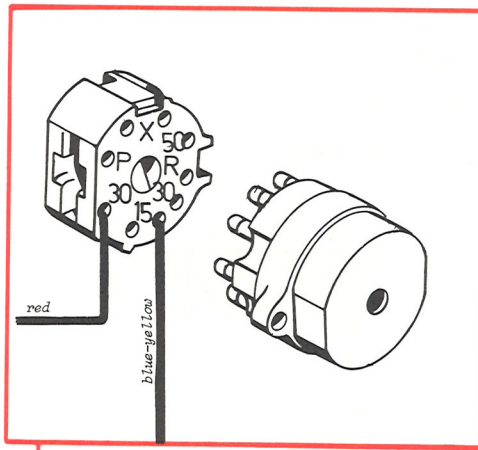
Connections:

- 1 Brake light switch
- 2 Brake light, left side
- 3 Brake light, right side
- 4 Lower beam connection on upper/lower beam switch relay
- 5 Lower beam, right side
- 6 Lower beam, left side
- 7 Fuse No. 12
- 8 Tail light and license plate light, left side. (245: left and right.)
- 9 Tail light and license plate light, right side
- 10 Fuse No. 11
- 11 Bulb failure warning light
- 12 Ground

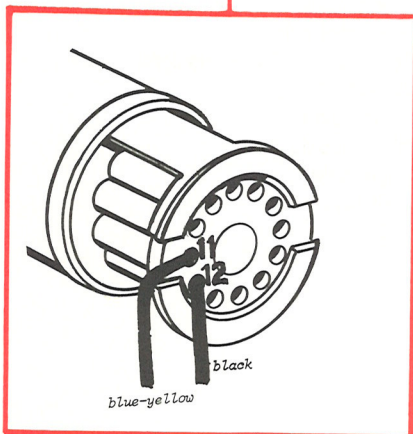
A



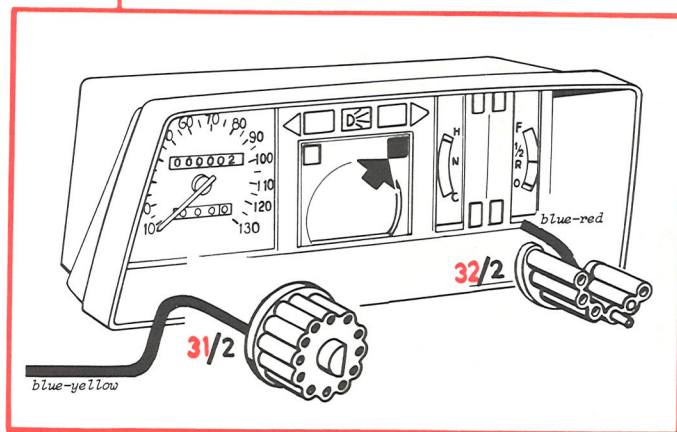
B



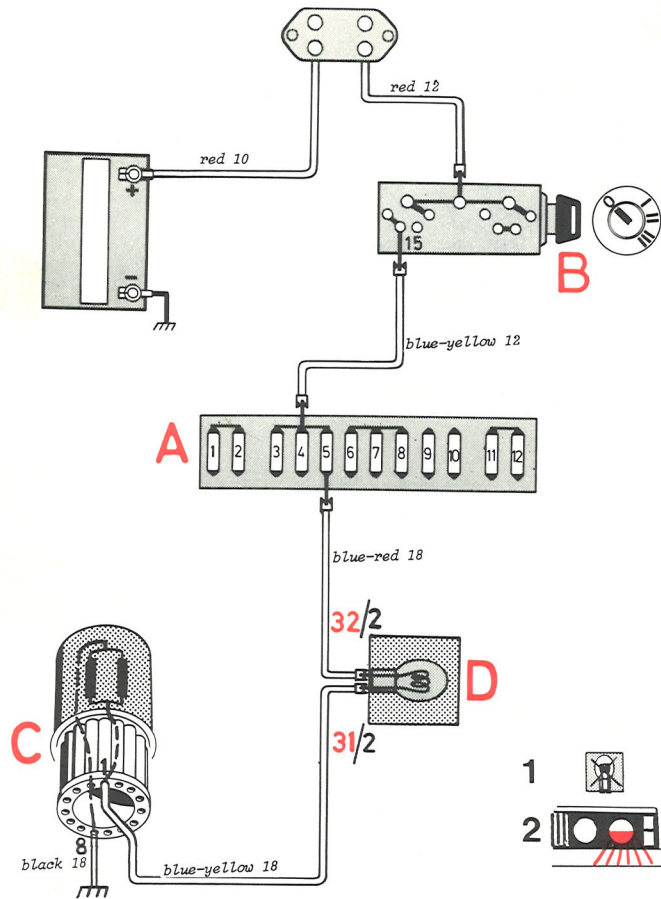
C



D



Bulb failure warning light system 240/1978



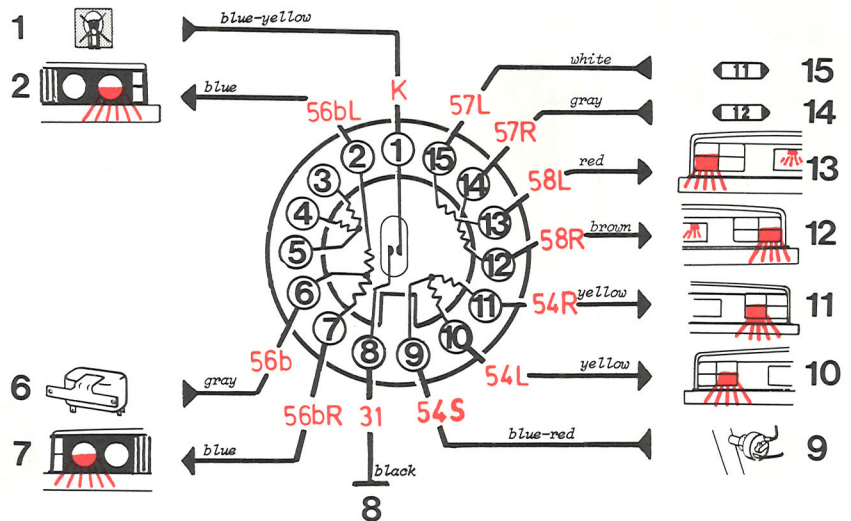
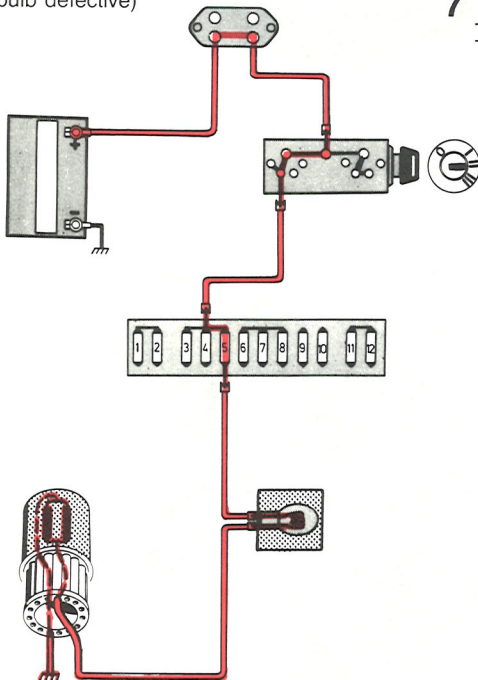
Fuse No. 5

Instrument cluster
Turn signals
Relay, CI system

Legend:

A Fuse box
B Ignition lock
C Bulb failure sensor
D Bulb failure warning light

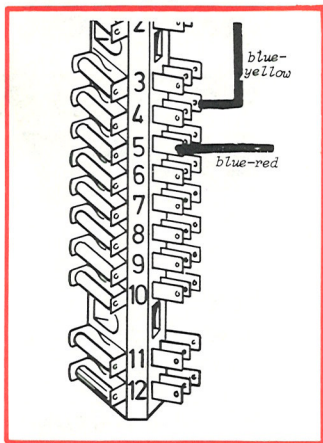
Bulb failure sensor activated (bulb defective)



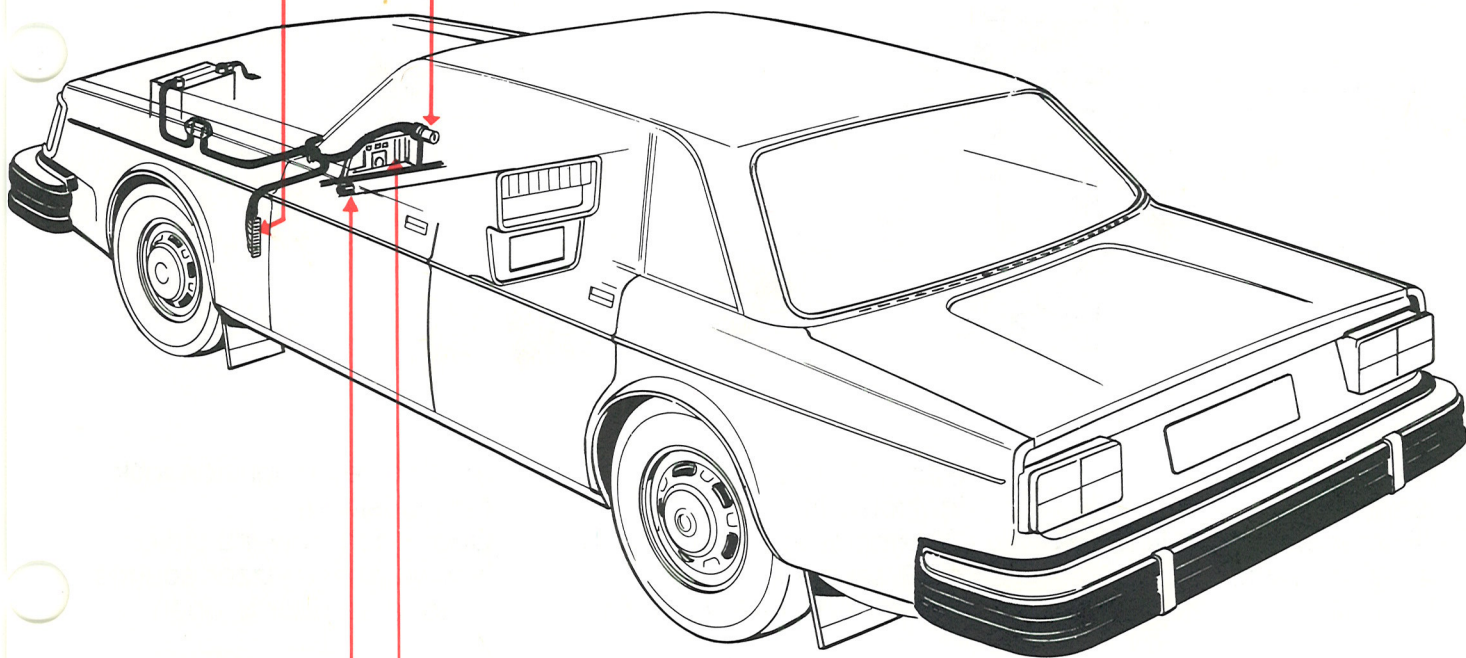
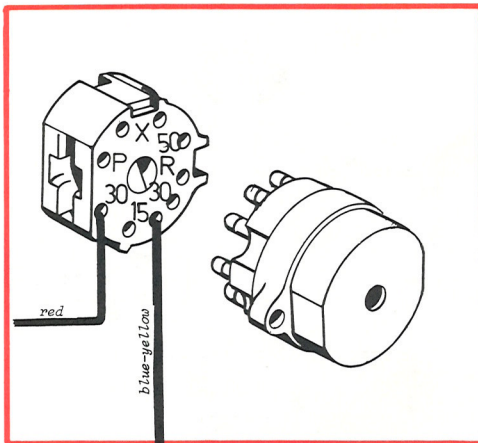
Connections:

- 1 Bulb failure warning light
- 2 Lower beam, left side
- 6 Lower beam connection on upper/lower beam switch relay
- 7 Lower beam, right side
- 8 Ground (for bulb failure warning light)
- 9 Brake light switch
- 10 Brake light, left side
- 11 Brake light, right side
- 12 Tail light, right side
- 13 Tail light, left side
- 14 Fuse No. 12
- 15 Fuse No. 11

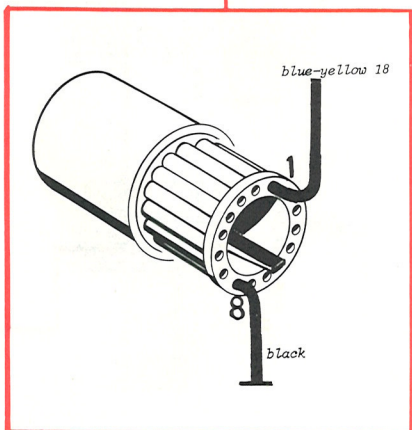
A



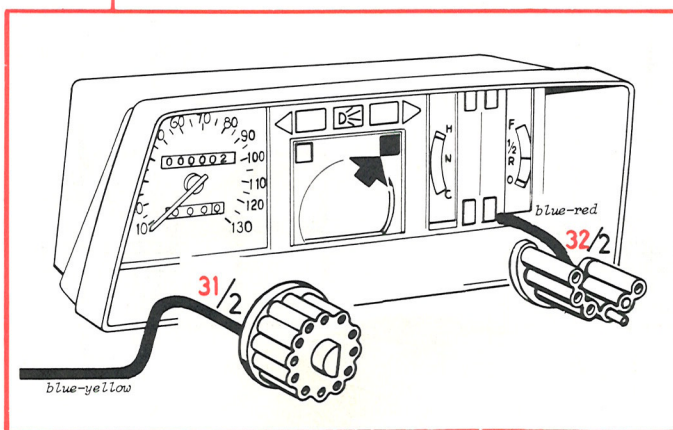
B



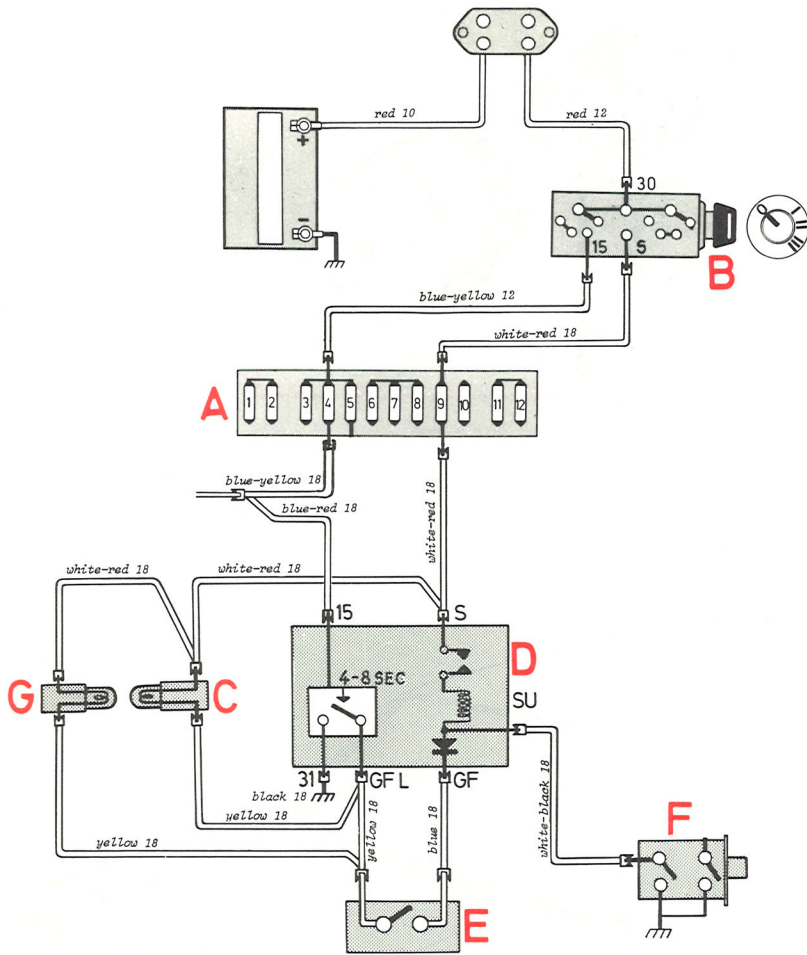
C



D



Seat belt warning system 240/1977



Fuse No. 4

Glove box light
Back-up lights
Air conditioning
Seat belt warning system

Fuse No. 9

Seat belt warning lights

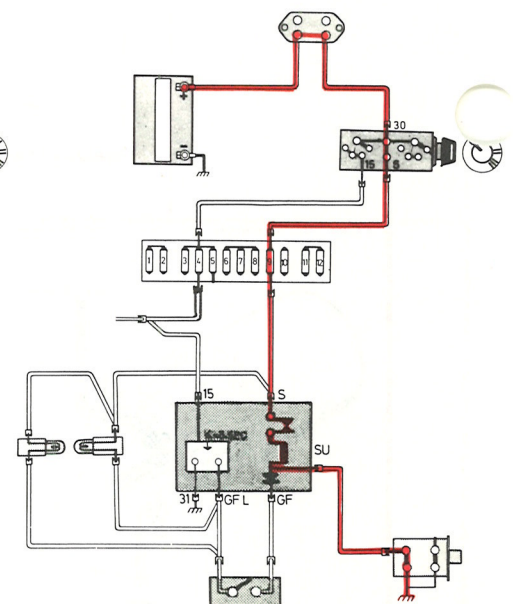
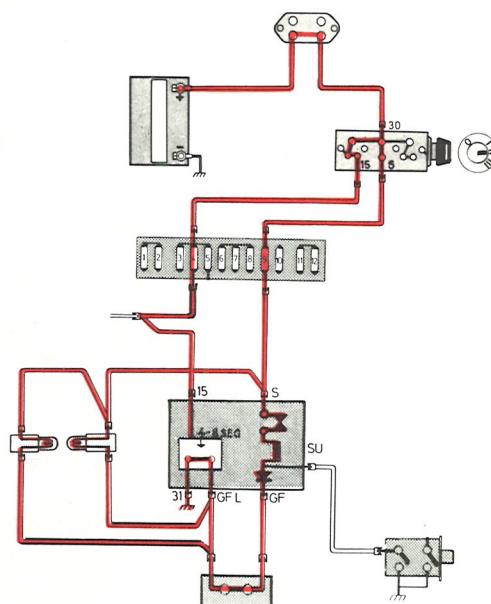
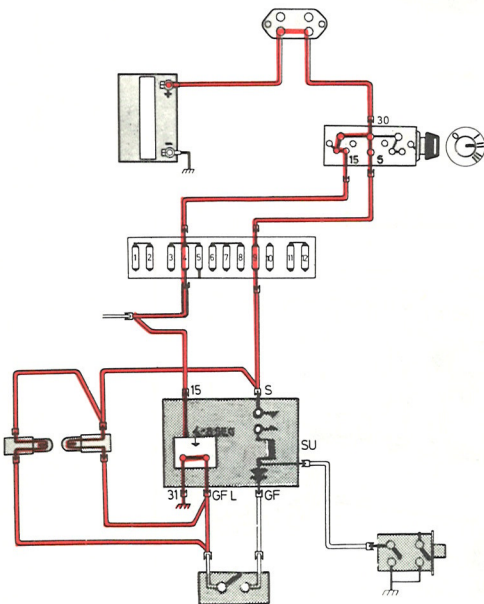
Legend:

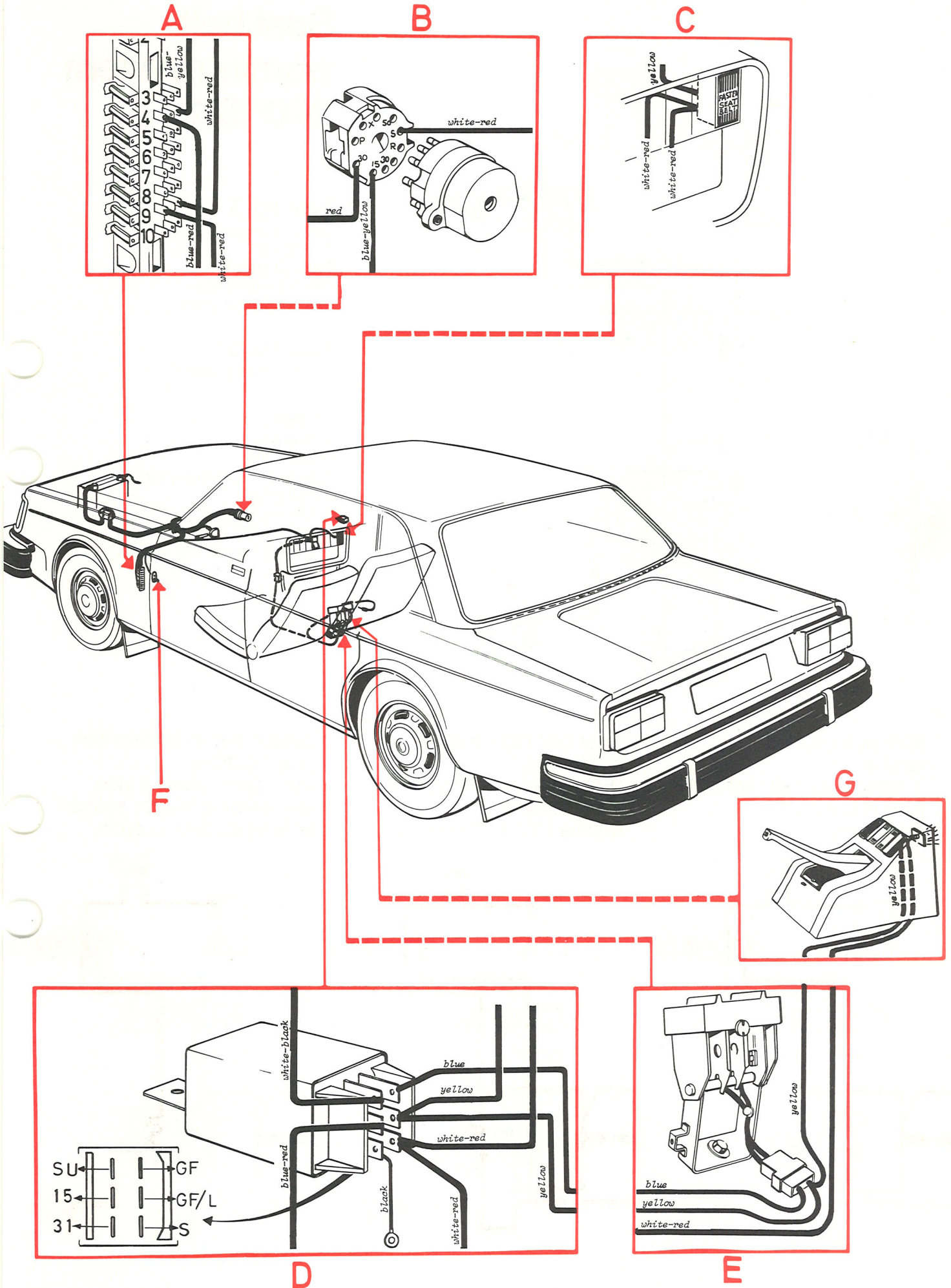
- A Fuse box
- B Ignition lock
- C Seat belt indicator light, front
- D Flasher unit
- E Seat belt lock
- F Door switch
- G Seat belt indicator light, rear

Seat belt buckled,
ignition ON.
"Fasten seat belt" light ON
4-8 seconds.
No buzzer.

Seat belt NOT buckled,
ignition ON.
"Fasten seat belt" light ON
4-8 seconds.
Buzzer ON 4-8 seconds.

Ignition key in ignition lock
(any position).
Door open, driver's side.
Key warning buzzer sounds
as long as door is open.





Seat belt warning system 240/1978

Fuse No. 5

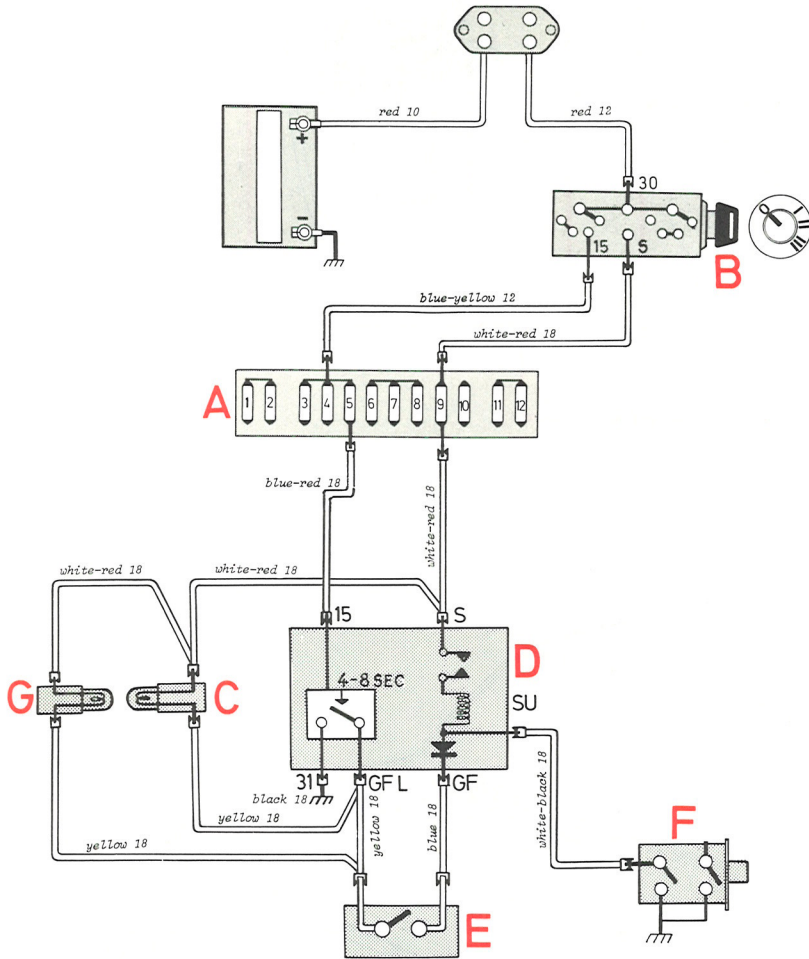
Instrument cluster
Turn signals
Relay, CI system
Seat belt warning lights
Seat belt warning system

Fuse No. 9

Seat belt warning lights

Legend:

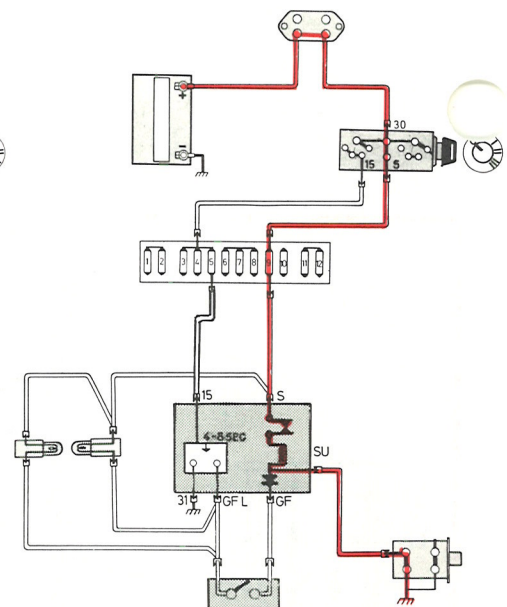
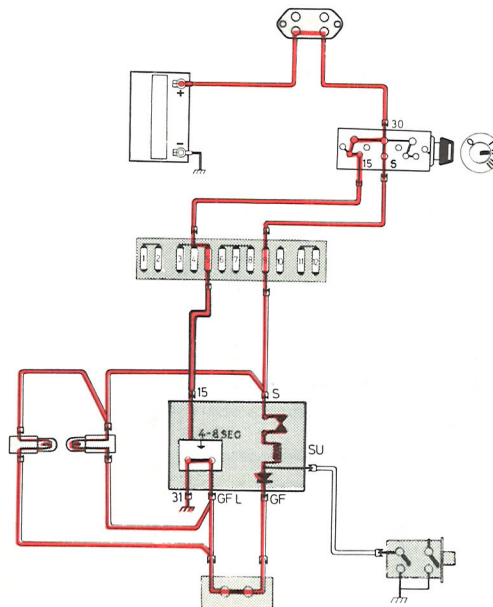
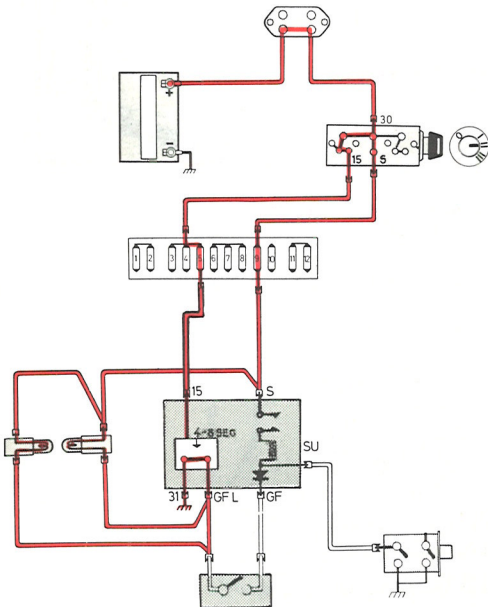
A Fuse box
B Ignition lock
C Seat belt indicator light, front
D Flasher unit
E Seat belt lock
F Door switch
G Seat belt indicator light, rear

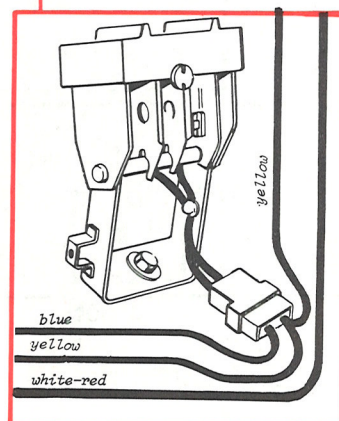
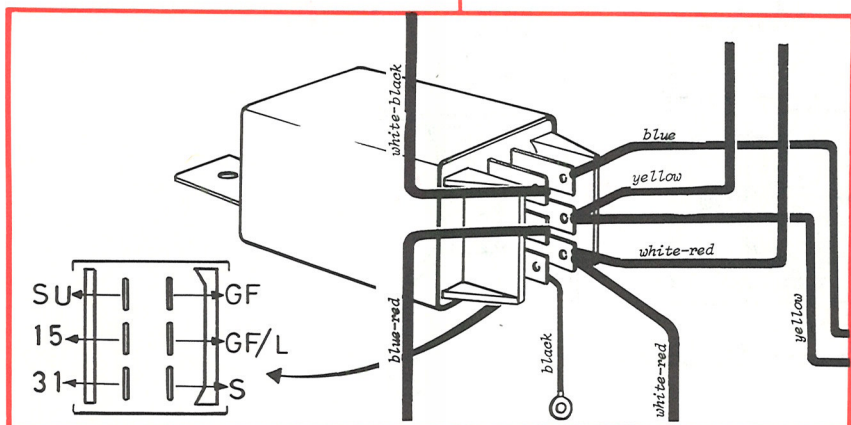
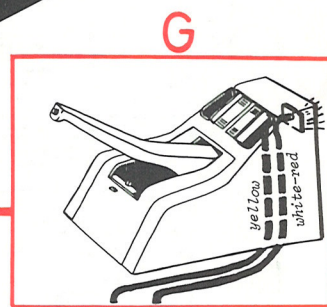
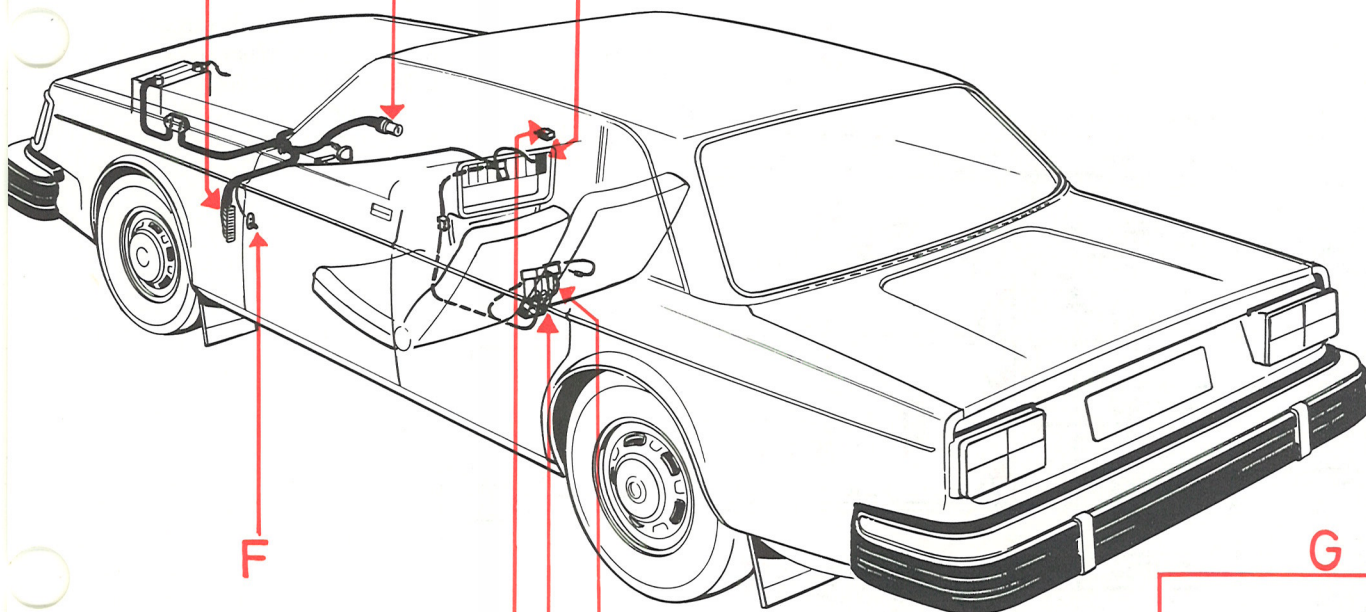
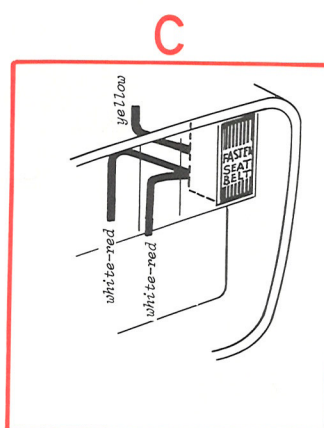
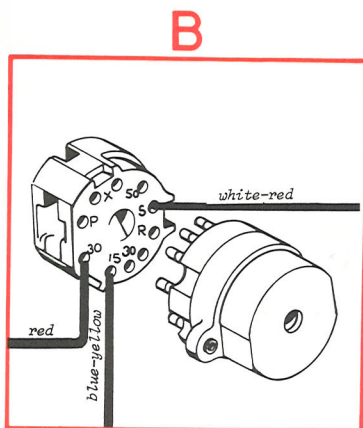
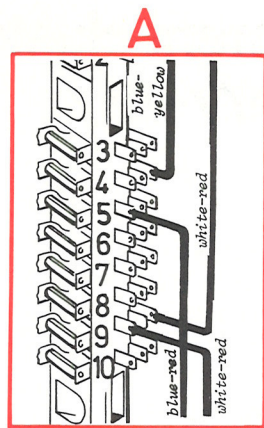


Seat belt buckled,
ignition ON.
"Fasten seat belt" light ON
4-8 seconds.
No buzzer.

Seat belt NOT buckled,
ignition ON.
"Fasten seat belt" light ON
4-8 seconds.
Buzzer ON 4-8 seconds.

Ignition key in ignition lock
(any position).
Door open, driver's side.
Key warning buzzer sounds
as long as door is open.



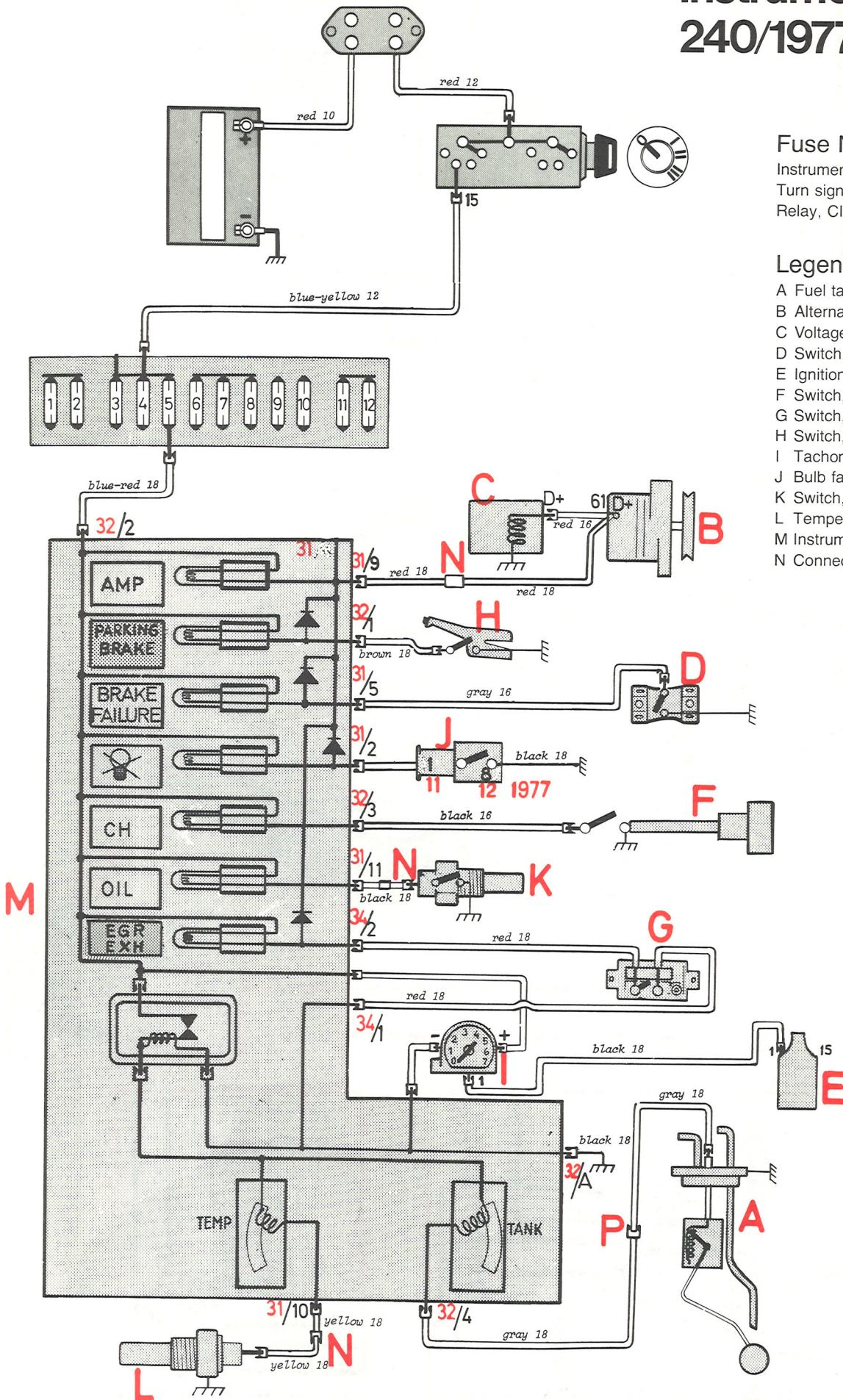


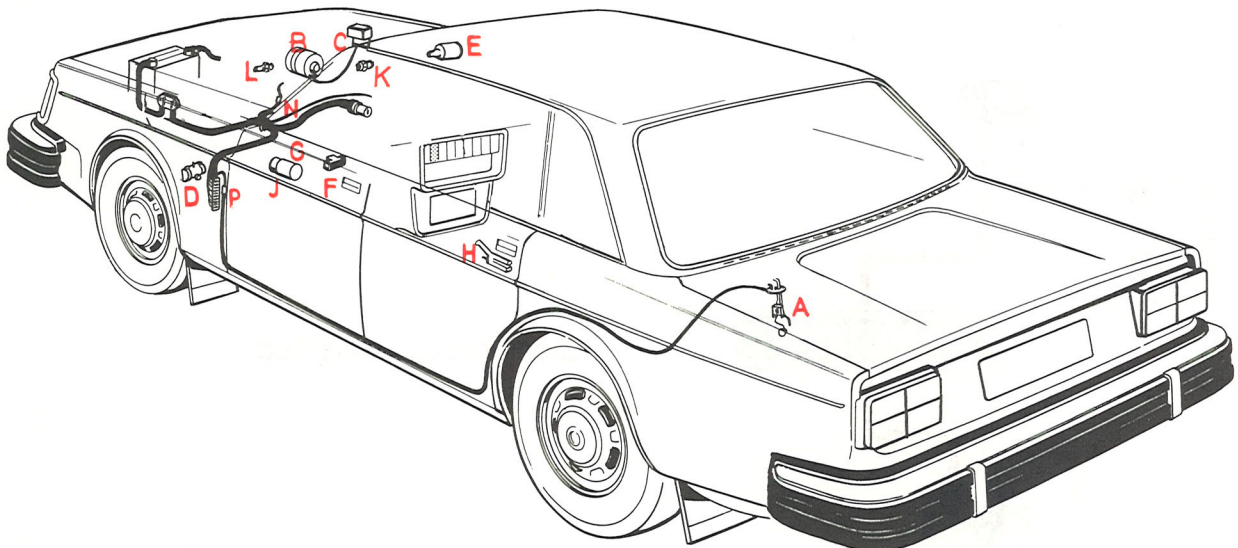
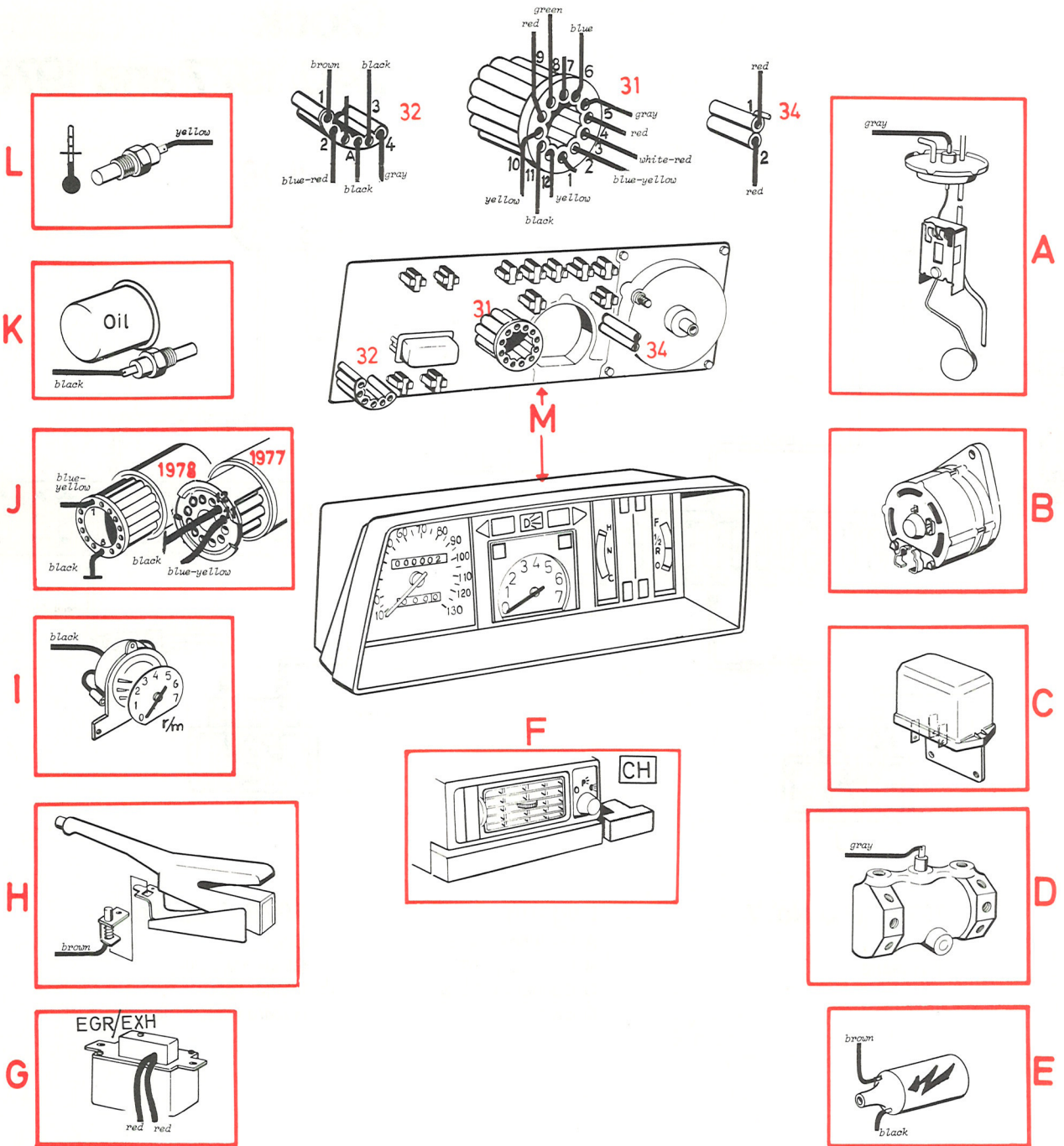
Instrument cluster 240/1977-78

Fuse No. 5
Instrument cluster
Turn signals
Relay, CI system

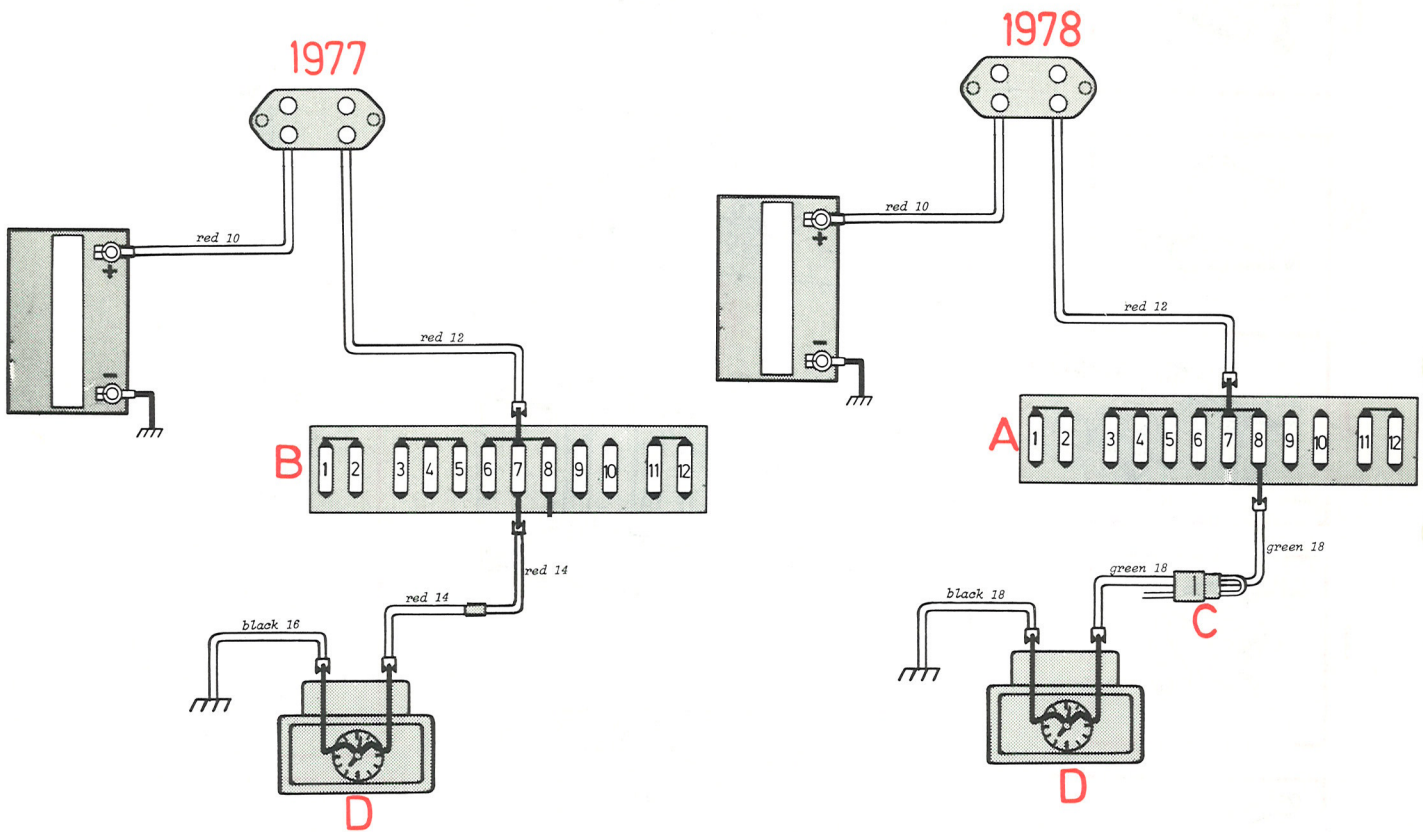
Legend:

- A Fuel tank level sender
- B Alternator
- C Voltage regulator
- D Switch, brake failure warning
- E Ignition coil
- F Switch, choke control (Canada)
- G Switch, EGR/EXH service reminder
- H Switch, parking brake
- I Tachometer
- J Bulb failure warning sensor
- K Switch, oil pressure sender
- L Temperature sender
- M Instrument
- N Connector





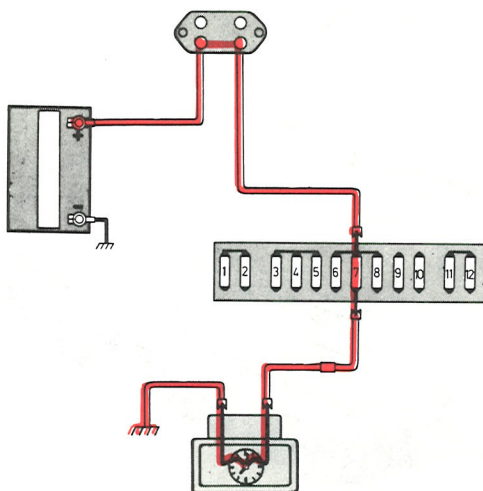
Clock 240/1977 and 1978



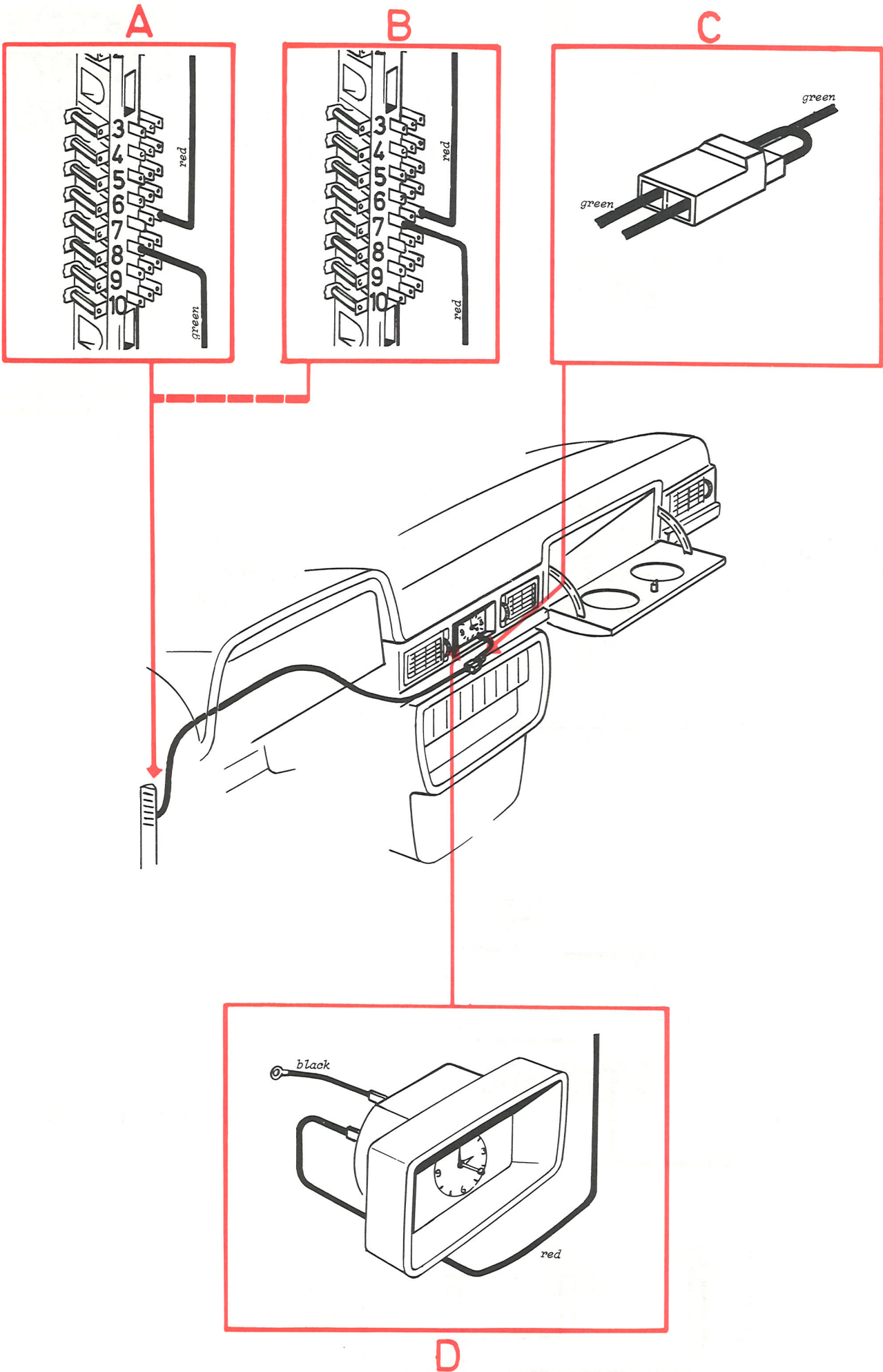
1977: fuse No. 7
Clock
Fuel pump

Legend:
A Fuse box, 1978
B Fuse box, 1977
C Connector, 1978
D Clock

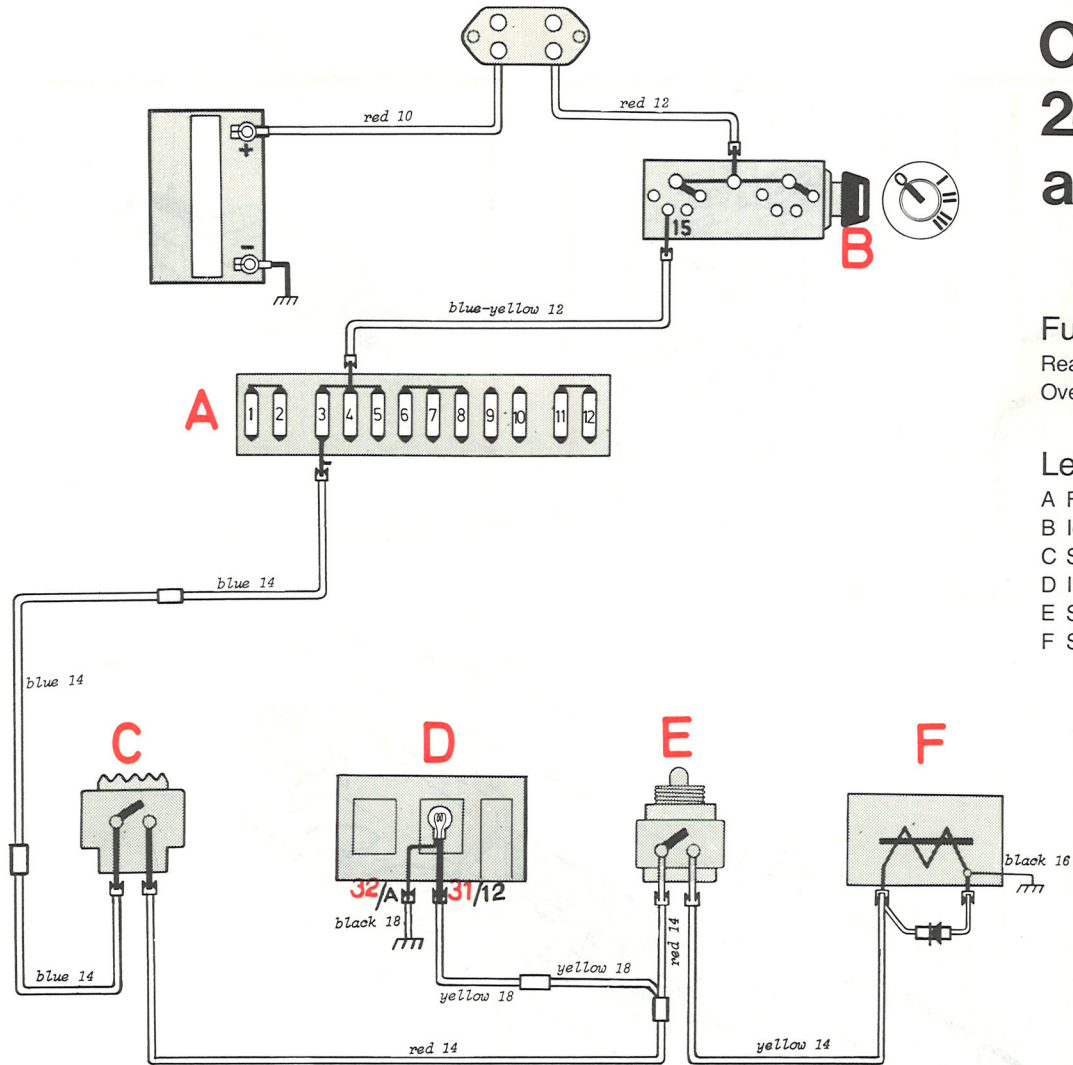
1978: fuse No. 8
Clock
Glove box light
Interior light
Hazard warning flasher



Clock circuit energized



Overdrive 240/1977 and 1978

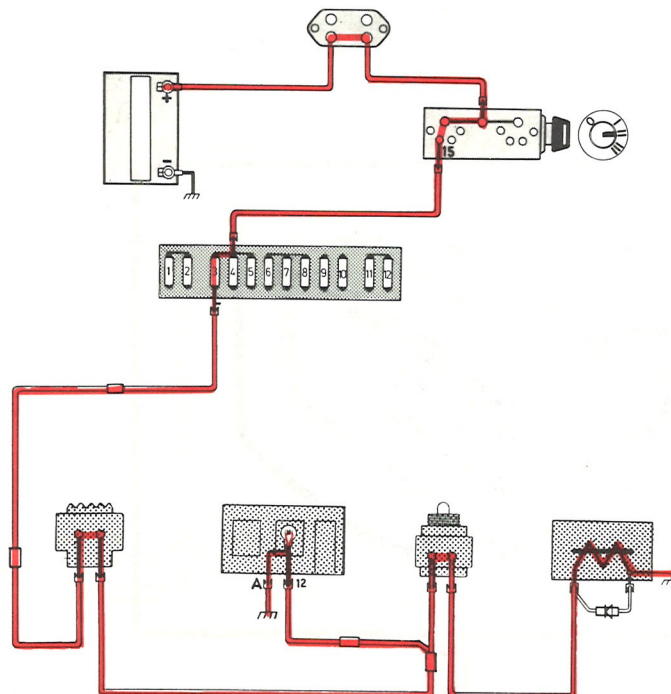


Fuse No. 3

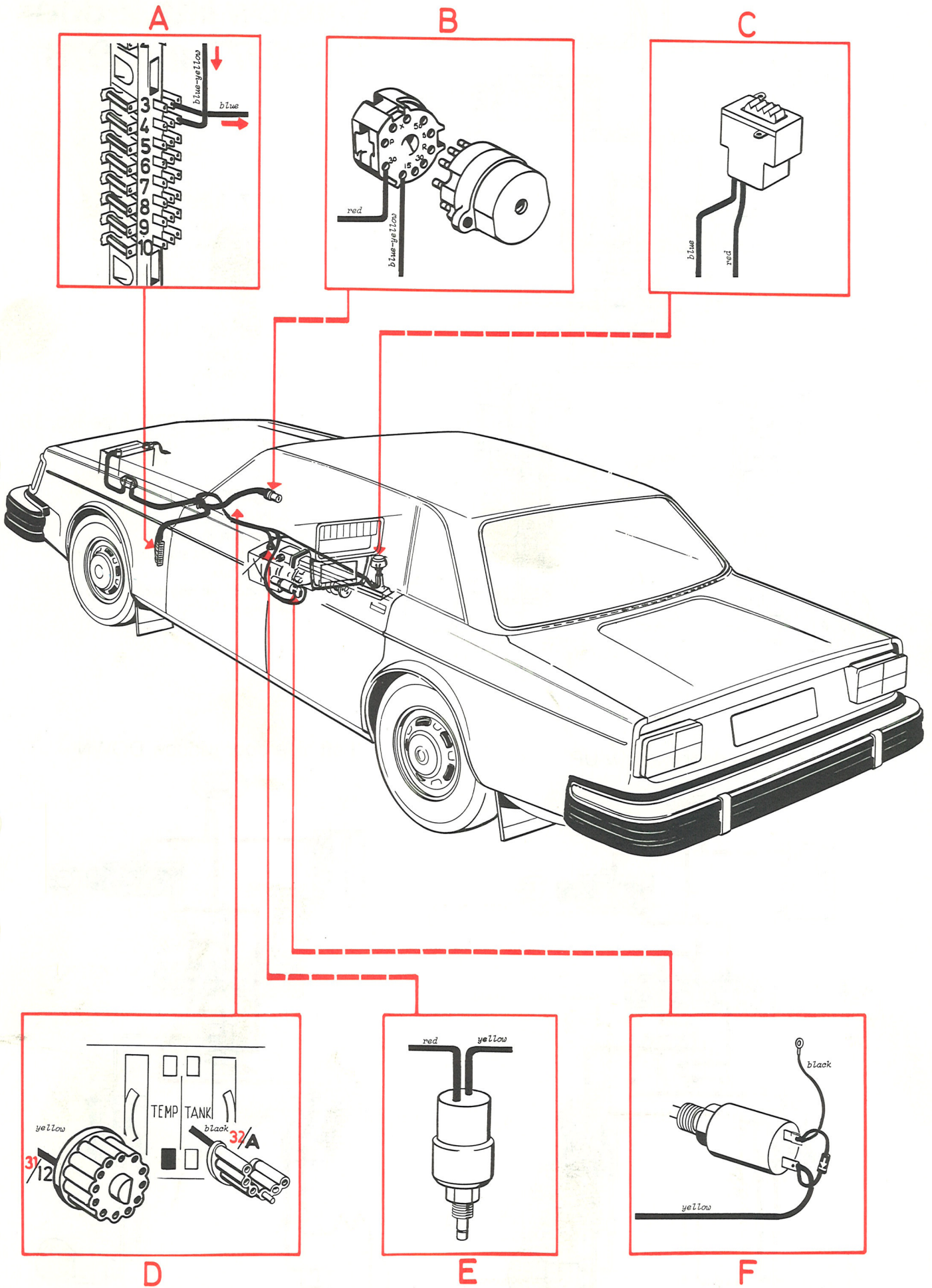
Rear demist
Overdrive

Legend:

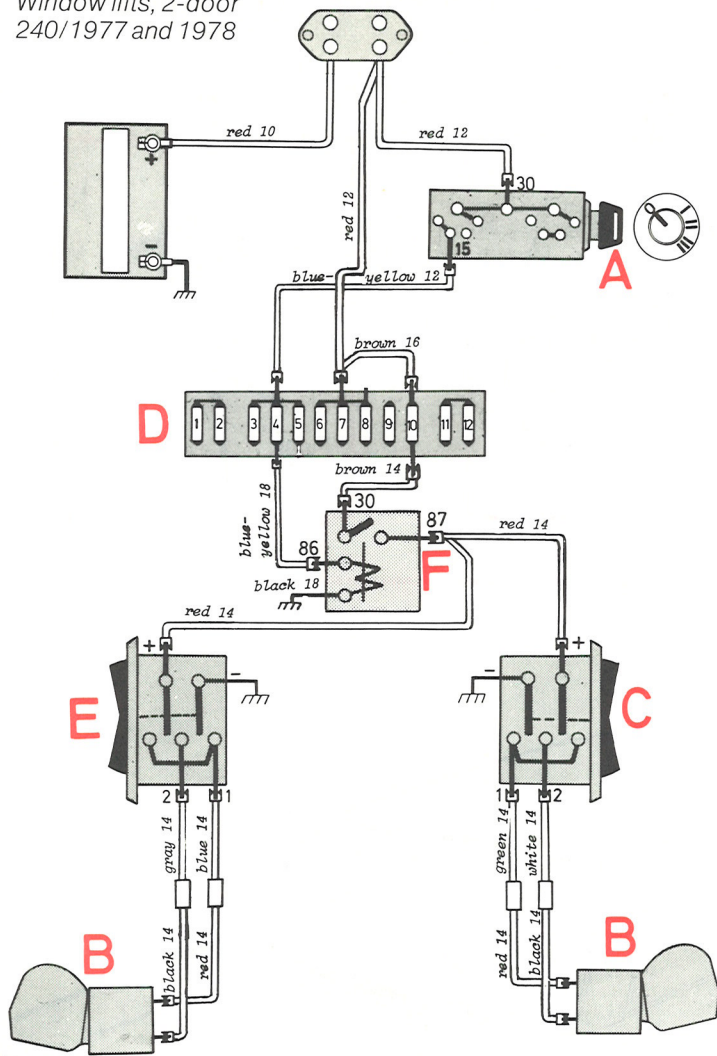
- A Fuse box
- B Ignition lock
- C Switch, overdrive
- D Indicator light, overdrive
- E Switch, on transmission
- F Solenoid



Overdrive engaged



Window lifts, 2-door 240/1977 and 1978



1977: fuse No. 4

- Glove box light
- Back-up lights
- Air conditioning
- Seat belt warning system

1978: fuse No. 4

- Back-up lights
- Air conditioning

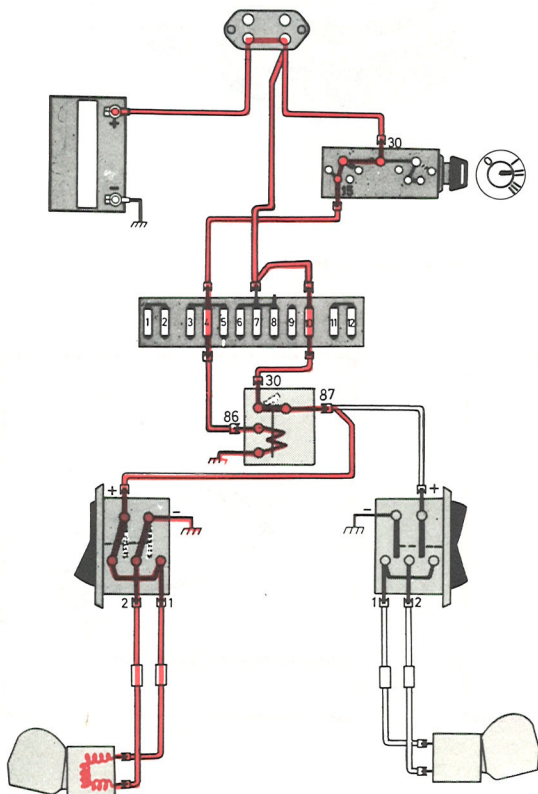
1977 and 1978: fuse No. 10

- Spare

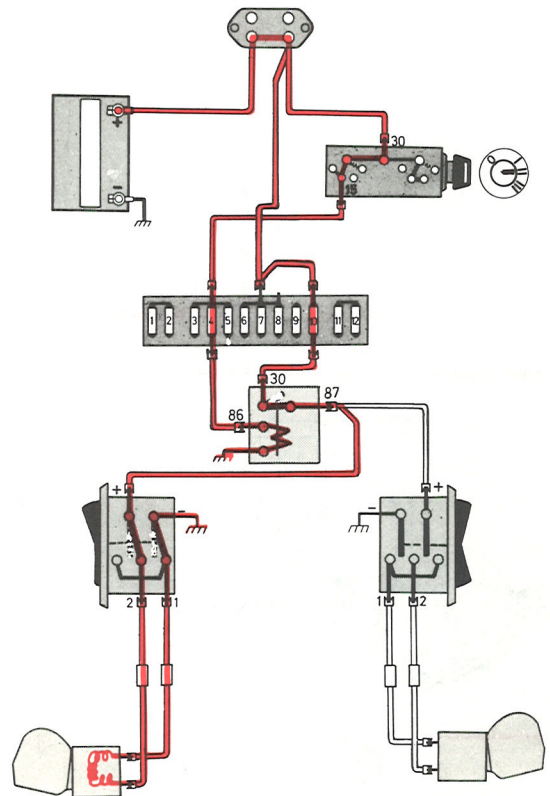
Legend:

- A Ignition lock
- B Window lift motors
- C Switch, right side door window
- D Fuse box
- E Switch, left side door window
- F Relay

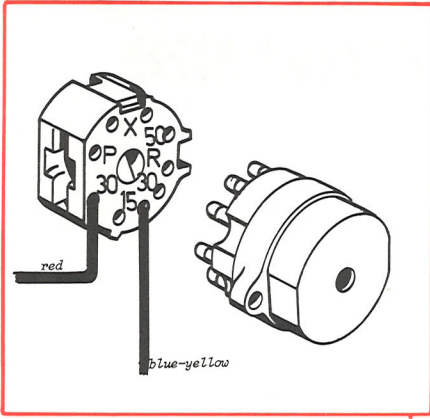
Left side door window UP



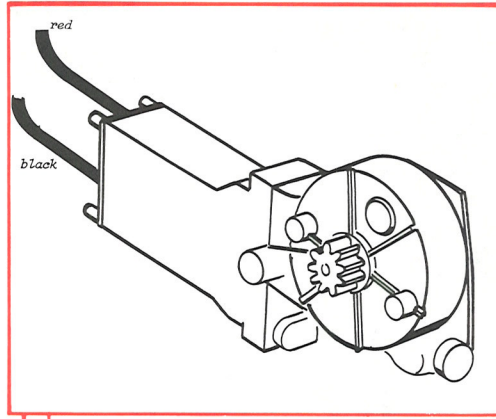
Left side door window DOWN



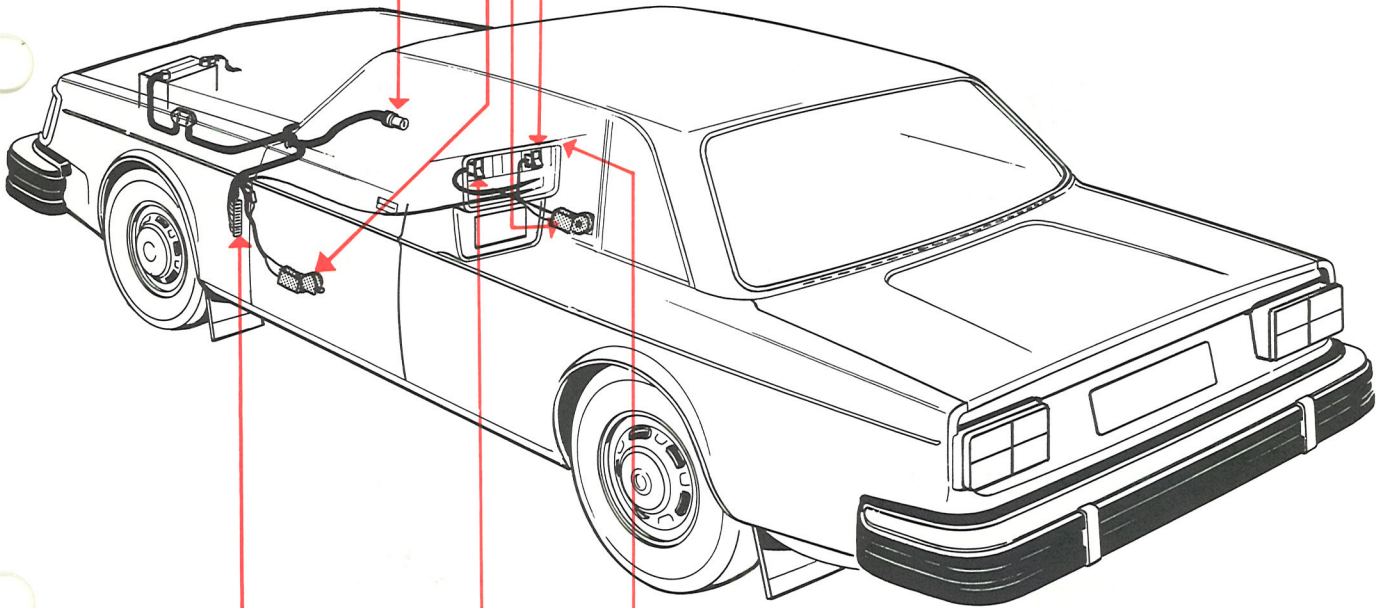
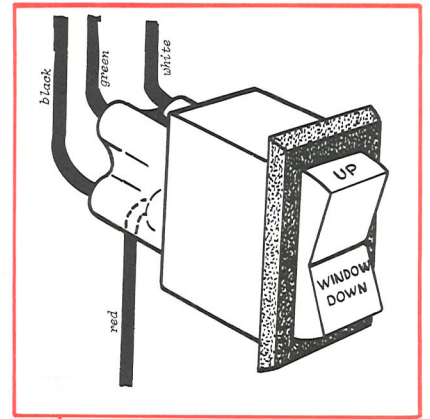
A



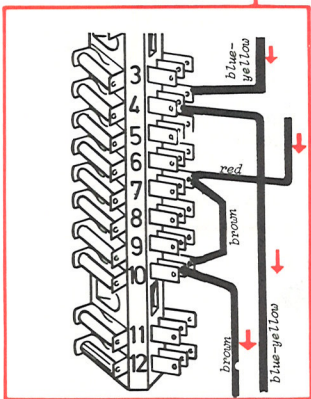
B



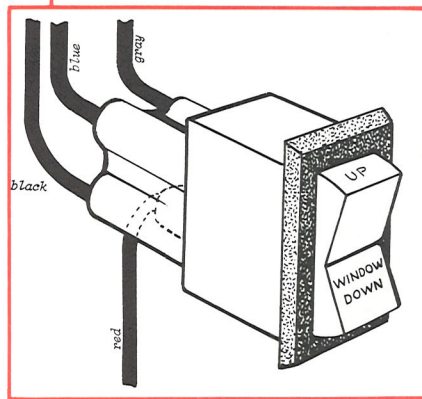
C



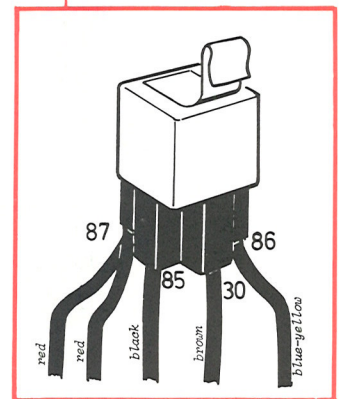
D



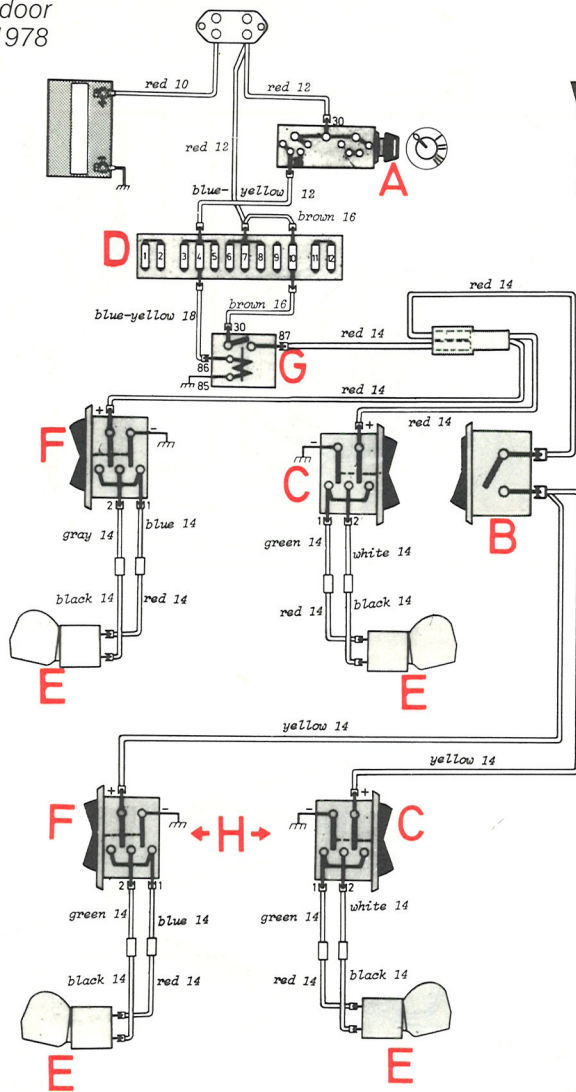
E



F



Window lifts, 4-door 240/1977 and 1978



1977: fuse No. 4

- Glove box light
- Back-up lights
- Air conditioning
- Seat belt warning system

1978: fuse No. 4

- Back-up lights
- Air conditioning

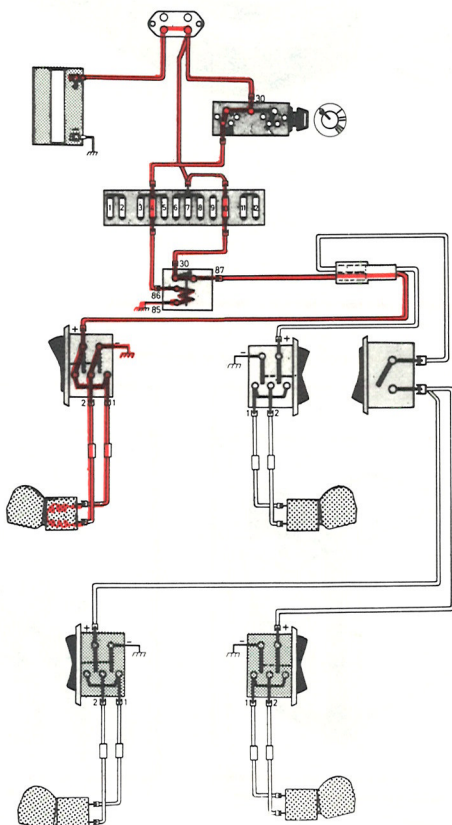
1977 and 1978: fuse No. 10

Spare

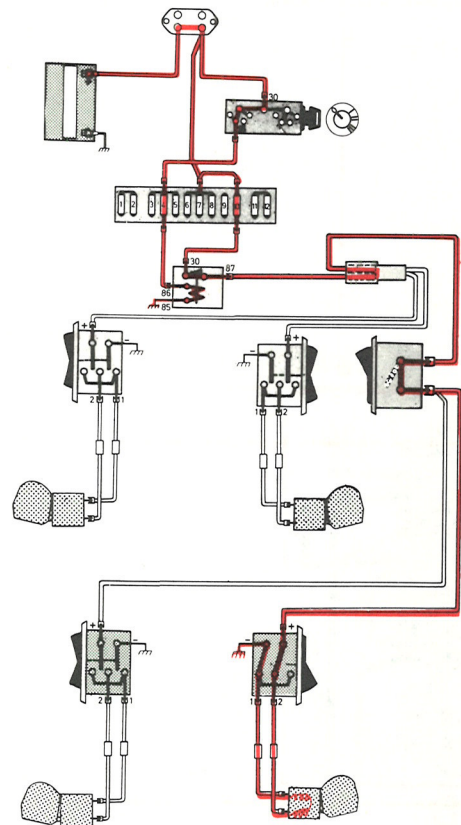
Legend:

- A Ignition lock
- B Main switch, rear door window lifts
- C Switch, rear door window lift
- D Fuse box
- E Window lift motors
- F Switch, rear door window lift
- G Relay
- H Parking brake cover

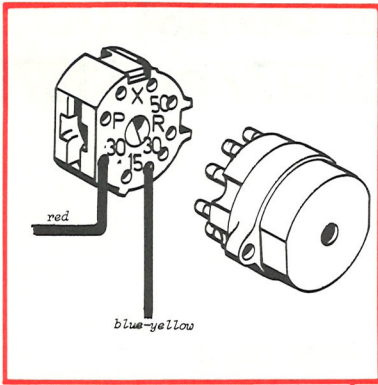
Front door window DOWN



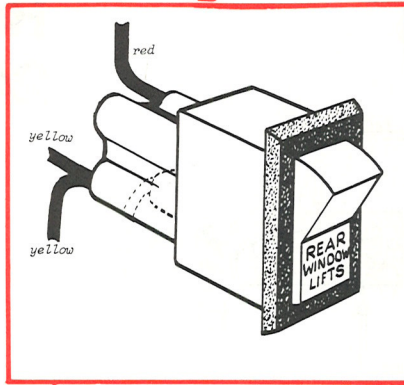
Main switch ON, rear windows UP



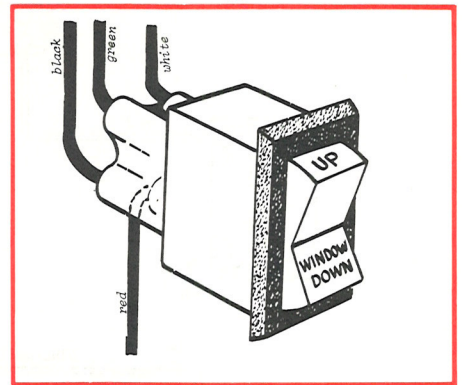
A



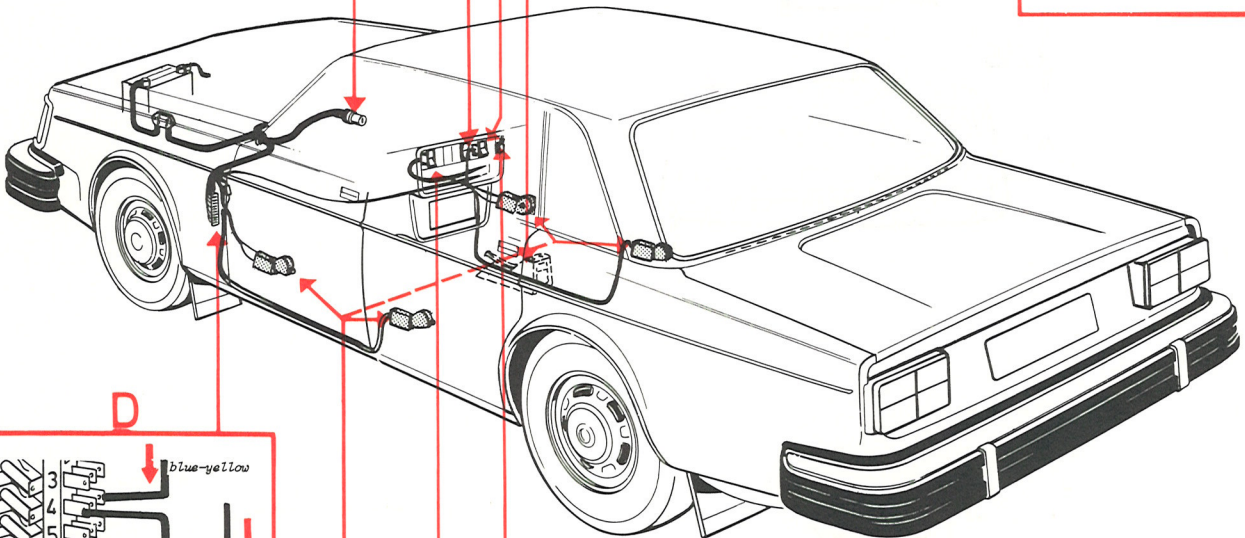
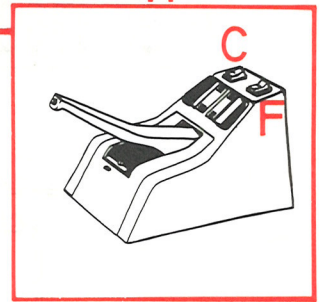
B



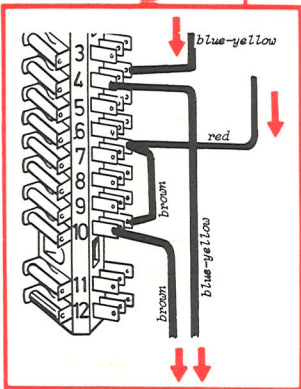
C



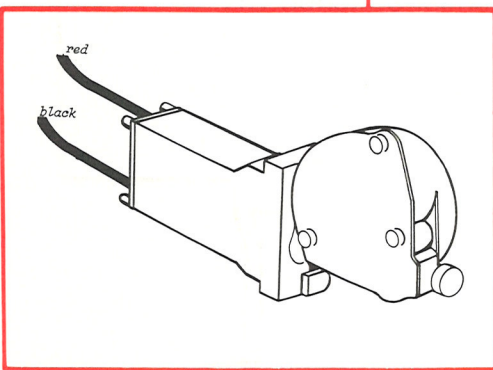
H



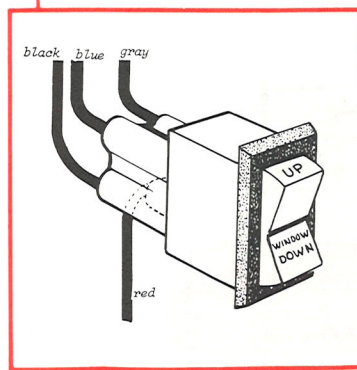
D



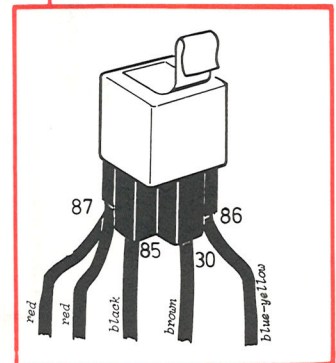
E



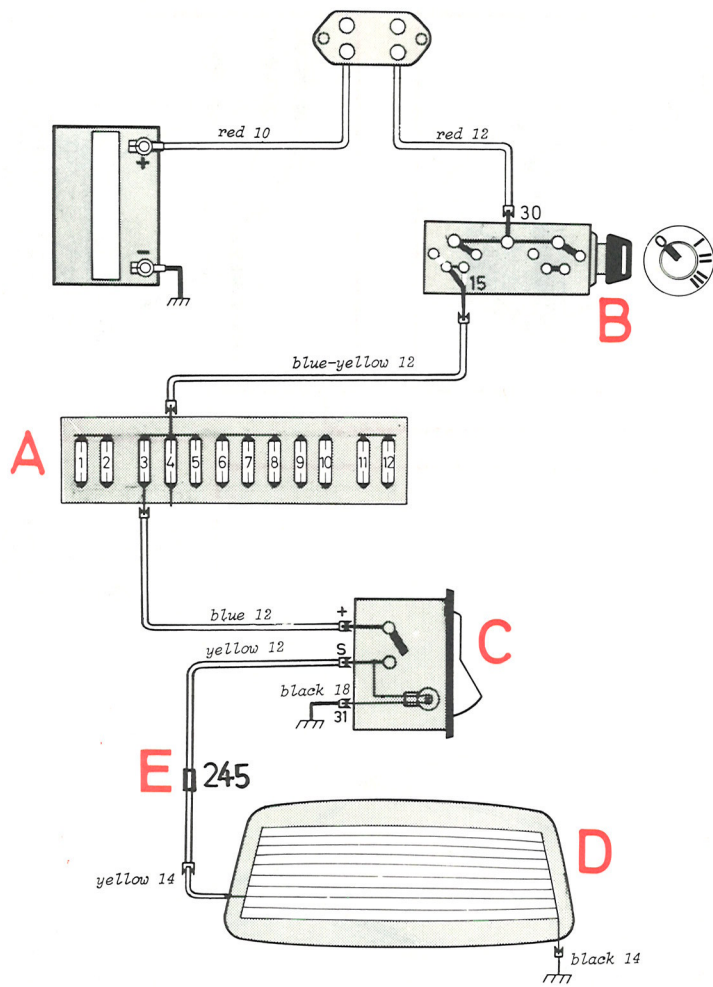
F



G



Rear demist 240/1977 and 1978

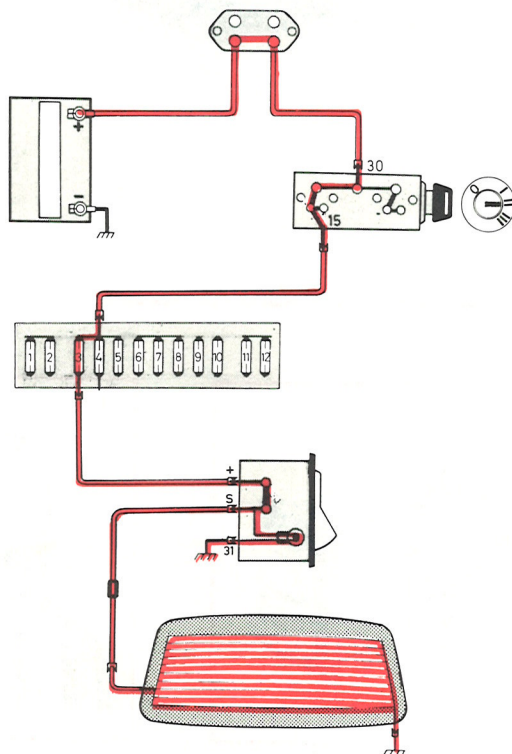


Fuse No. 3

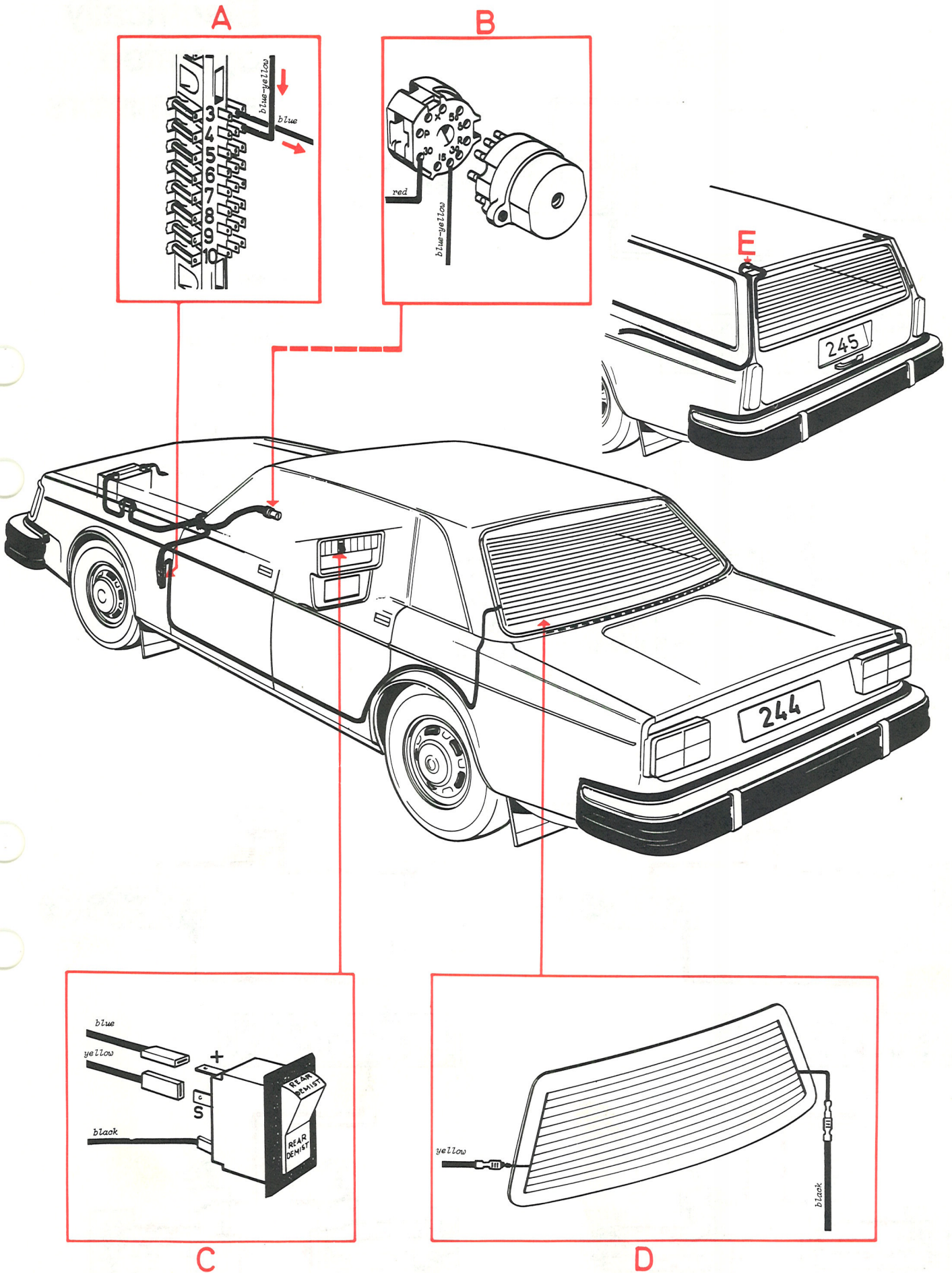
Rear demist
Overdrive

Legend:

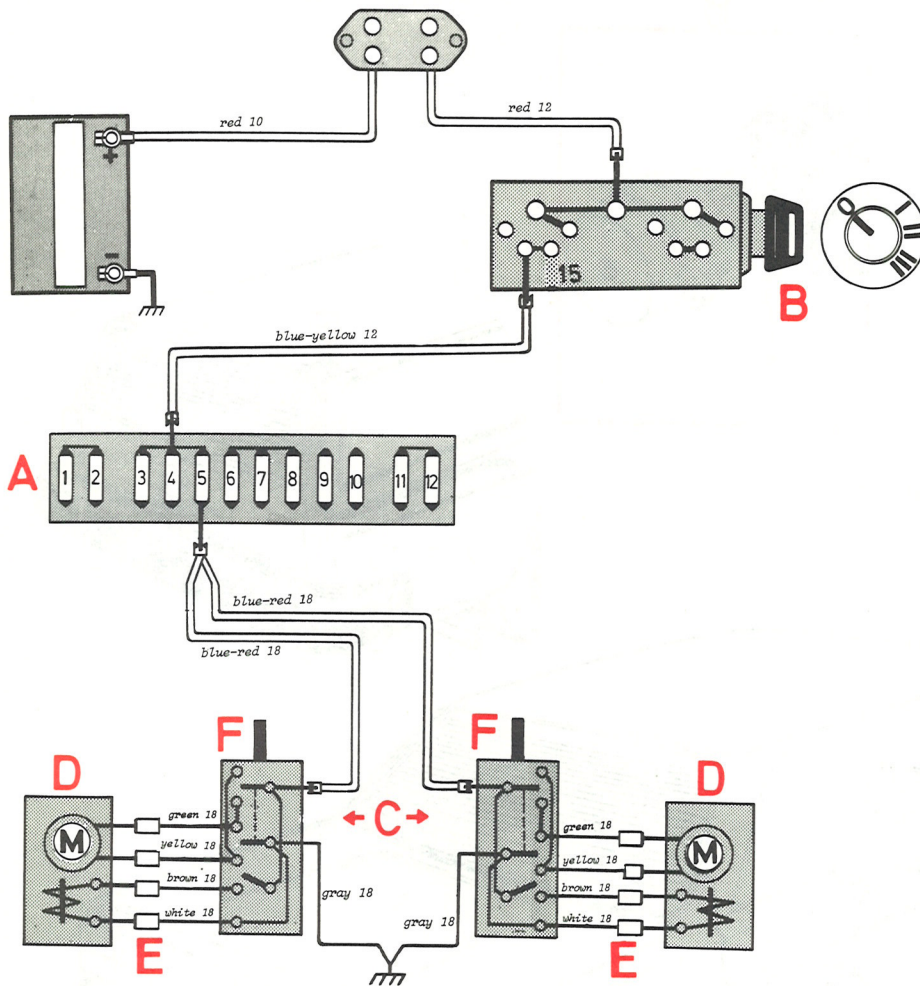
- A Fuse box
- B Ignition lock
- C Switch, rear demist
- D Electrically heated rear window
- E Connector (245)



Rear demist switched ON



Electrically operated side mirrors

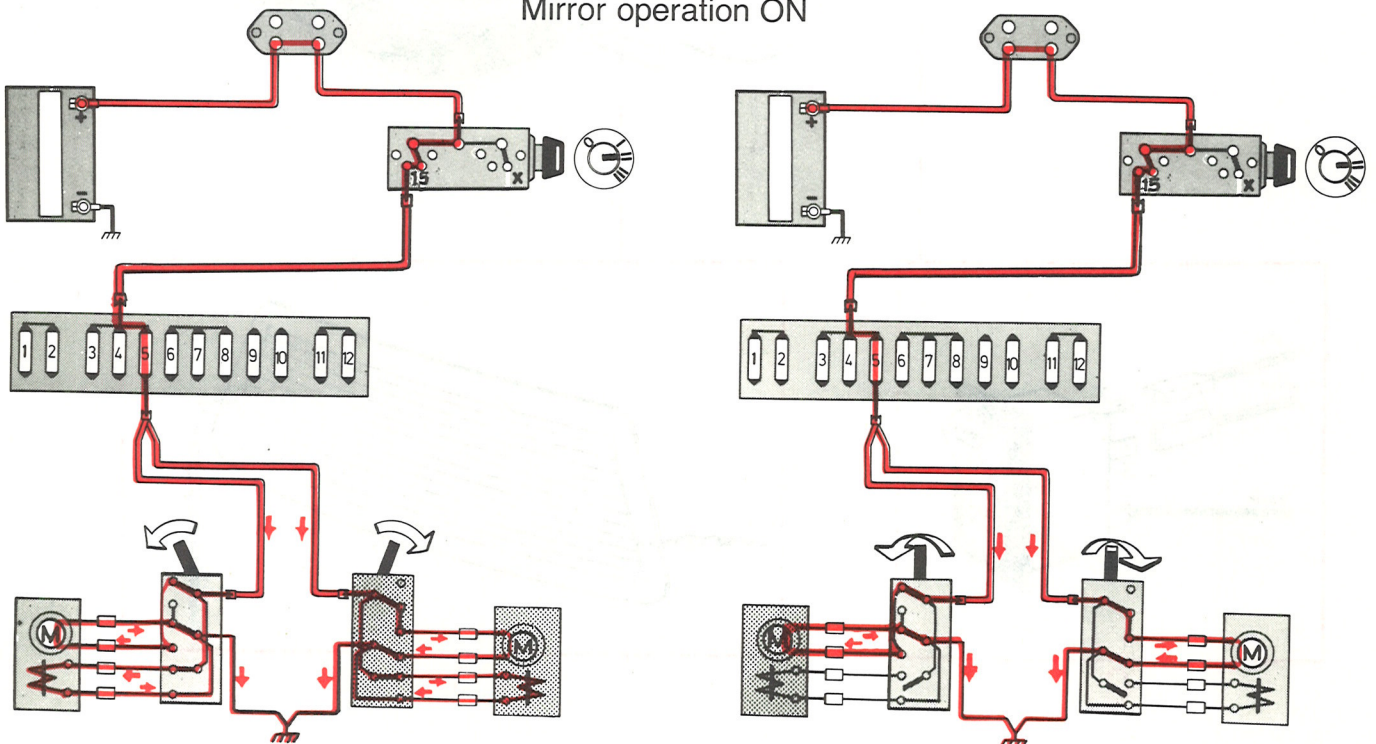


Fuse No. 5
Instrument cluster
Turn signals
Relay, CI system

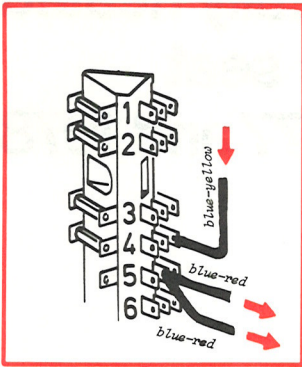
Legend:

- A Fuse box
- B Ignition lock
- C Parking brake cover
- D Electrically operated side mirrors
- E Connectors
- F Switches

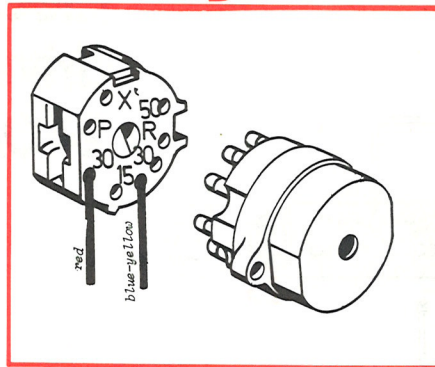
Mirror operation ON



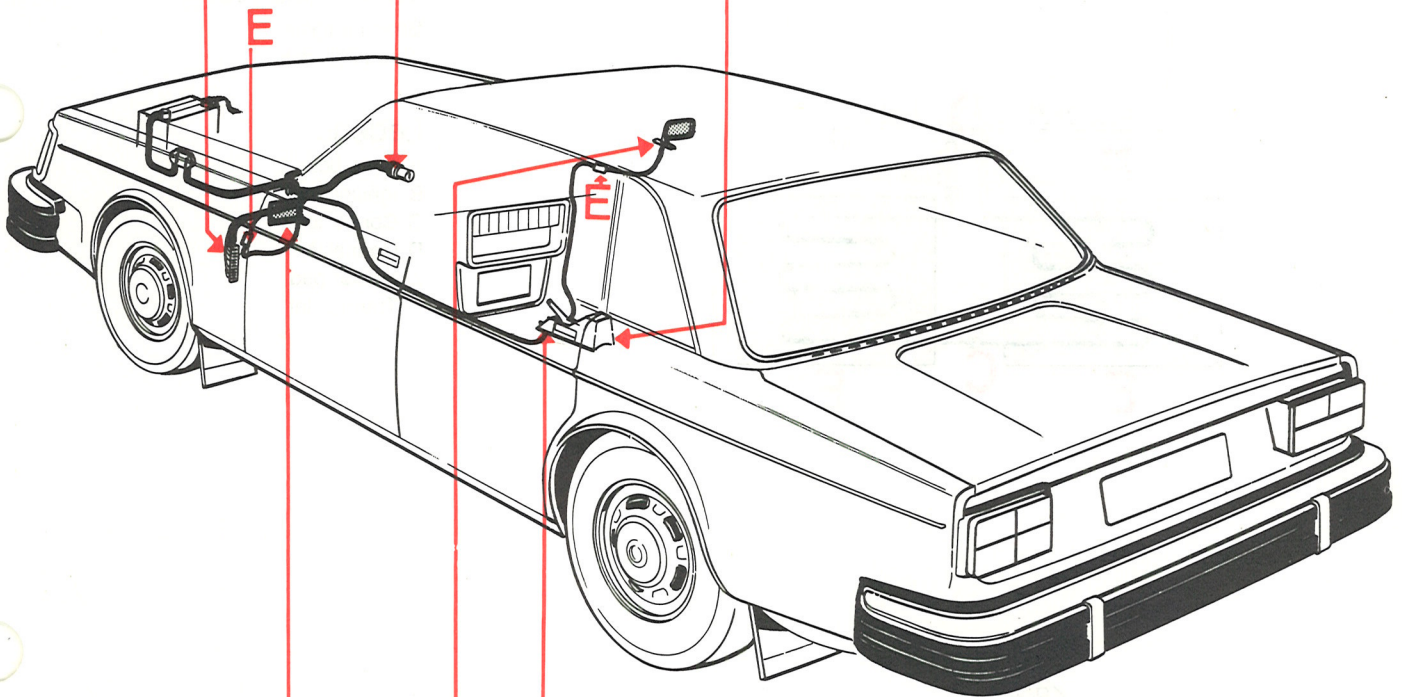
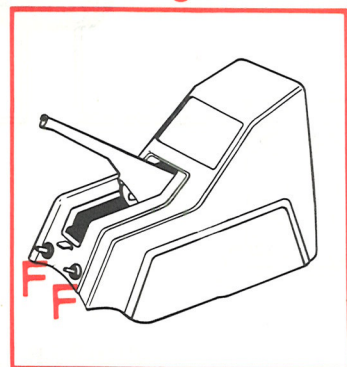
A



B

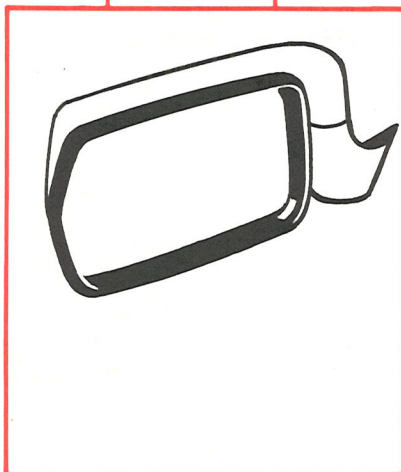


C

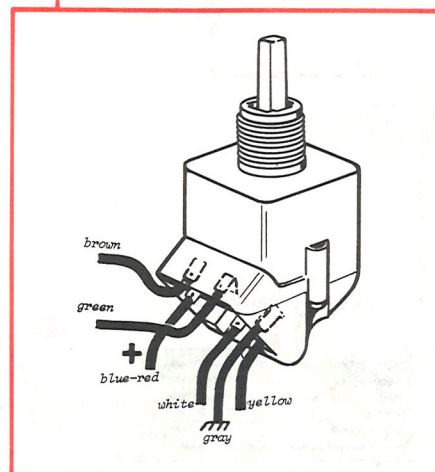


E

F

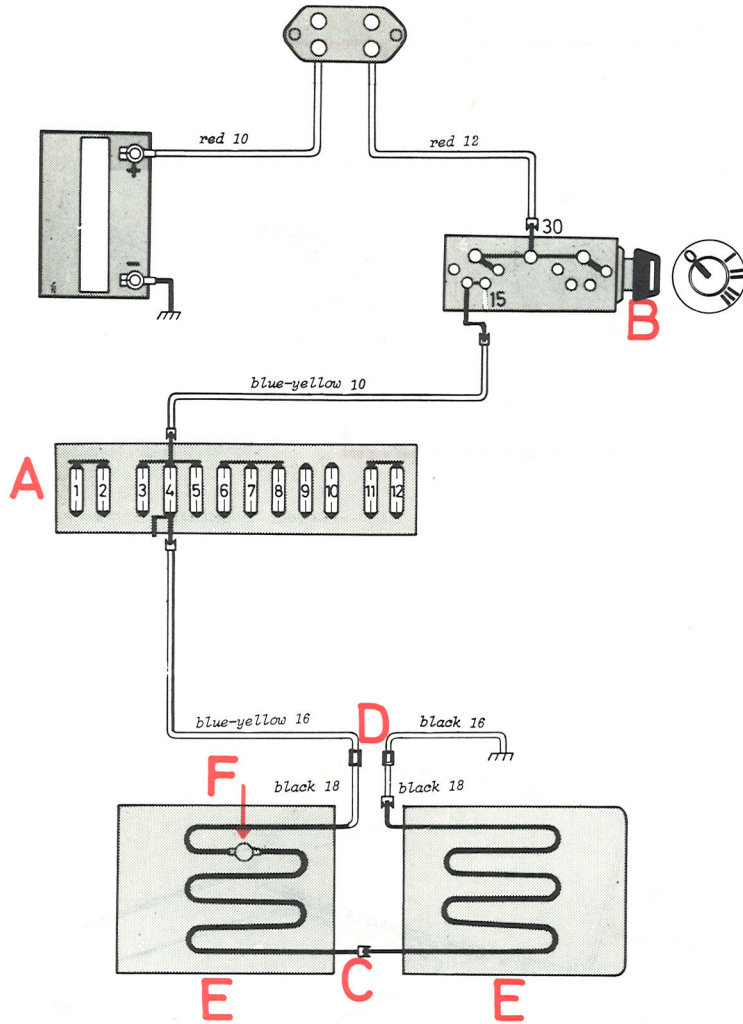


D



F

Electrically heated driver's seat 240/1977 and 1978



1977: fuse No. 4

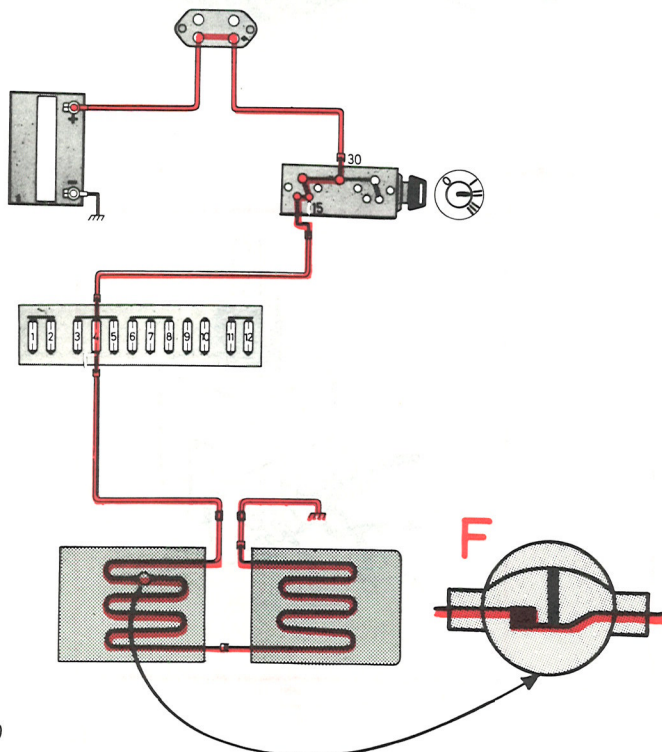
Glove box light
Back-up lights
Air conditioning

1978: fuse No. 4

Back-up lights
Air conditioning

Legend:

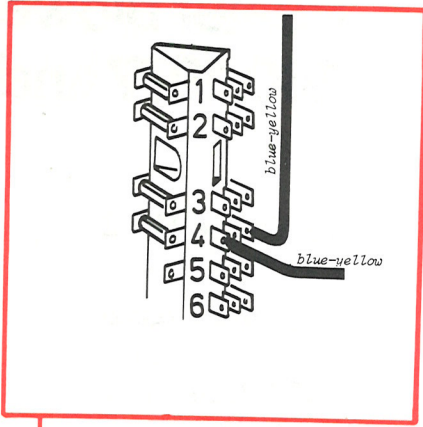
A Fuse box
B Ignition lock
C Connector
D Connector
E Heater pad
F Thermostat



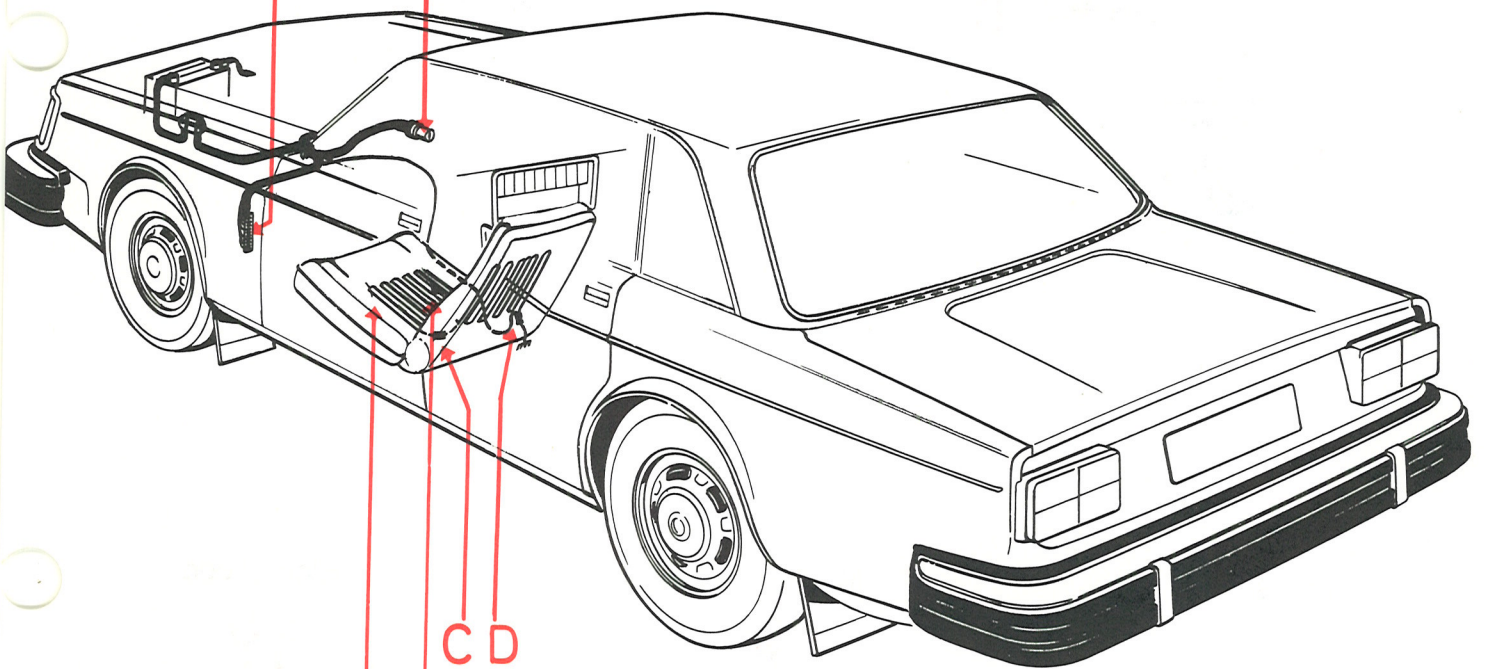
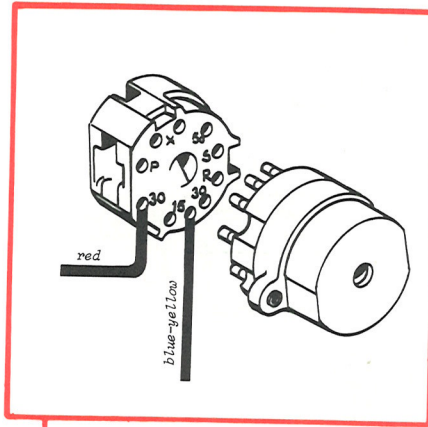
Seat heater ON

ON at +14°C (60°F)
OFF at +26°C (80°F)

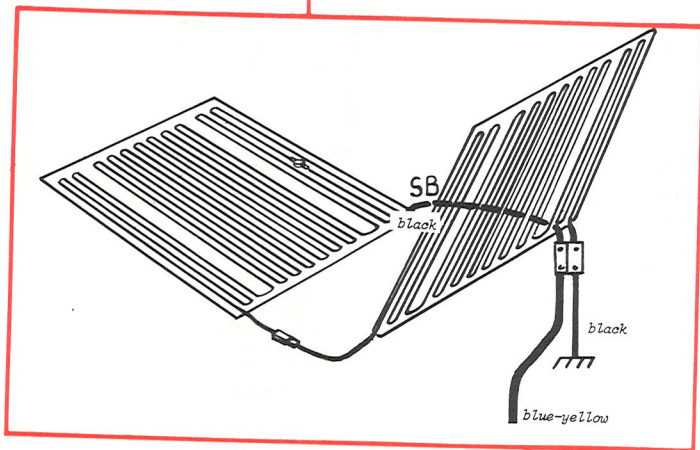
A



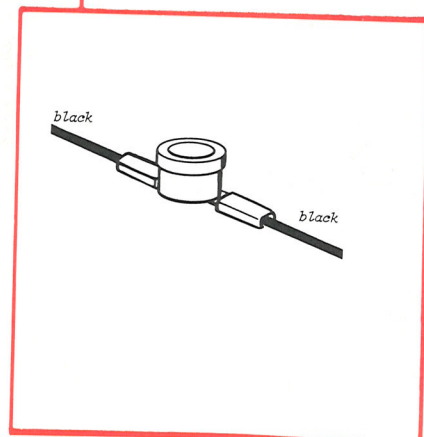
B



C D

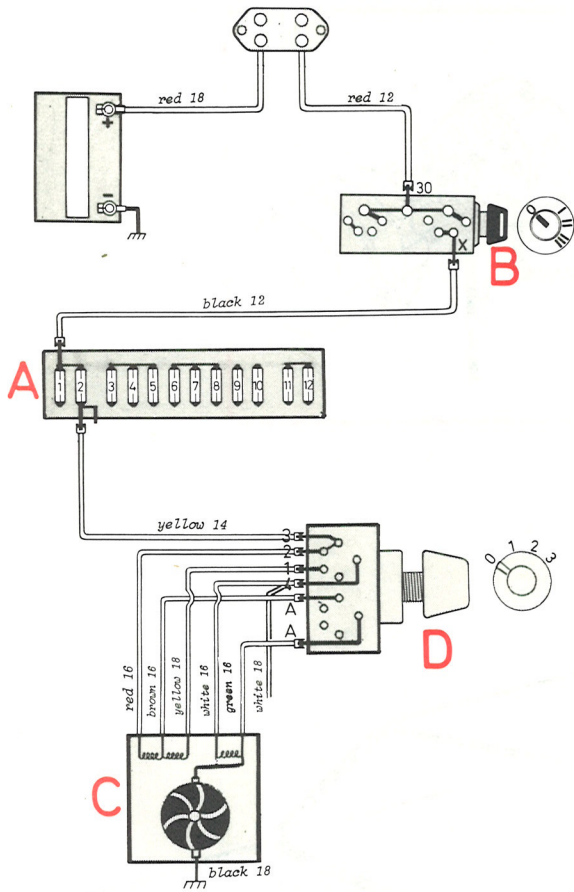


E



F

Heater blower
240/1977 and 1978



Heater blower 240/1977 and 1978

1977: fuse No. 2

Heater blower
Horn
Windshield wiper/washer

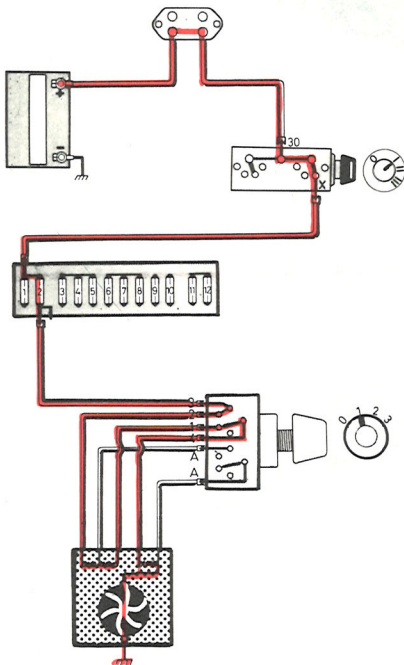
1978: fuse No. 2

Heater blower
Horn
Radio

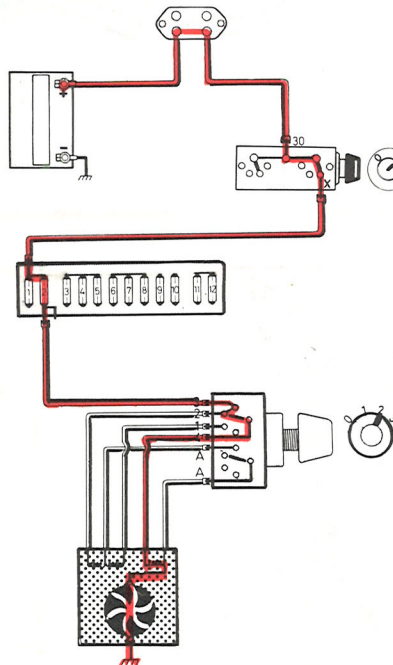
Legend:

- A Fuse box
- B Ignition lock
- C Blower motor
- D Switch

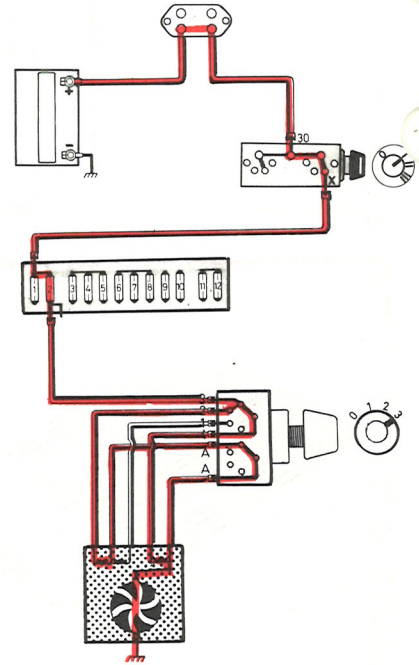
Low speed



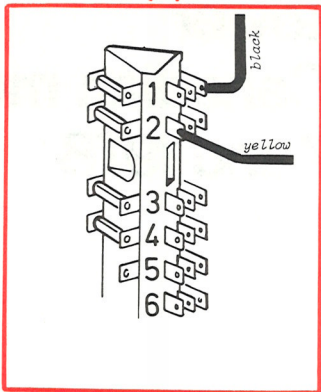
Medium speed



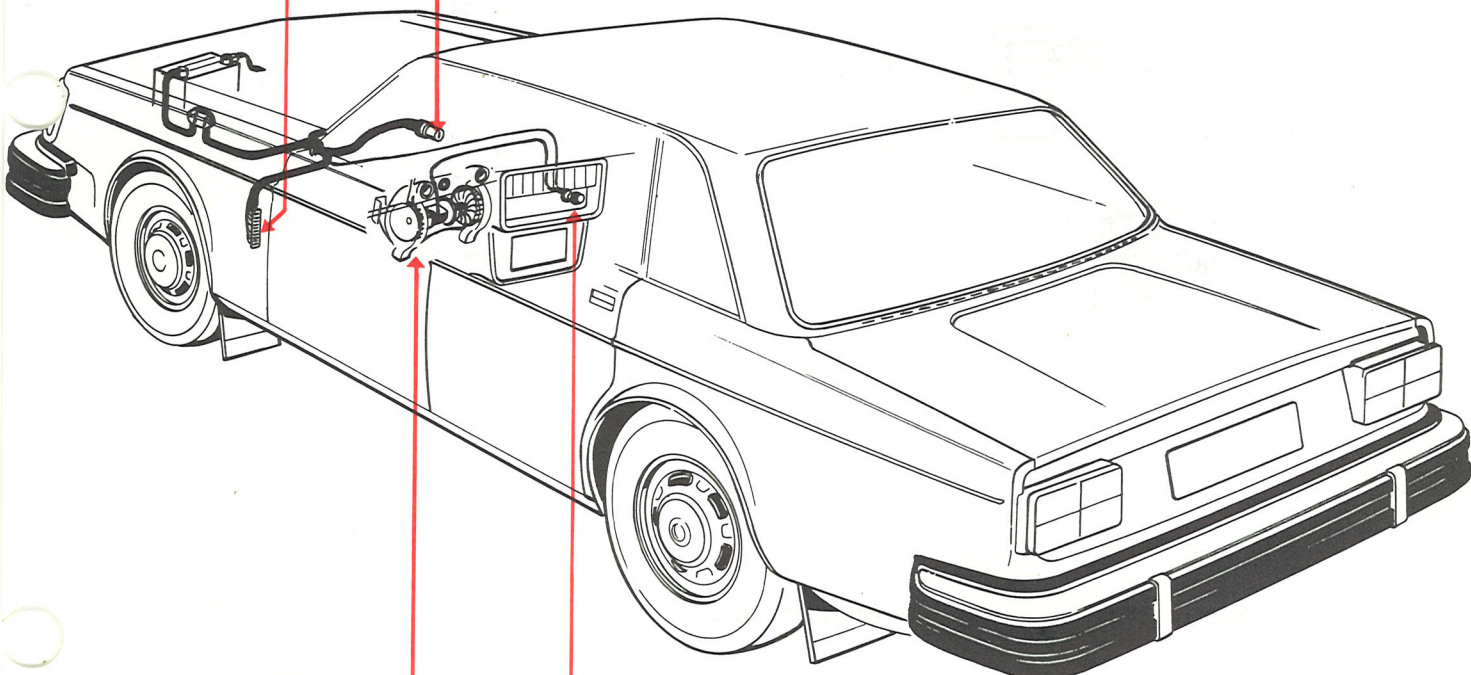
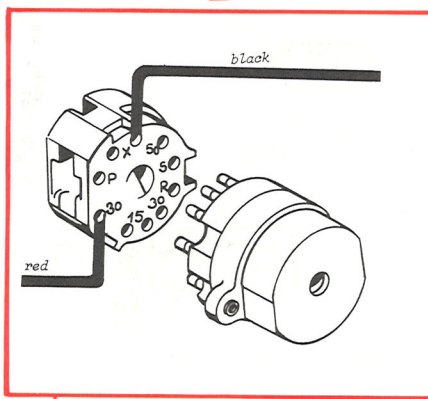
High speed



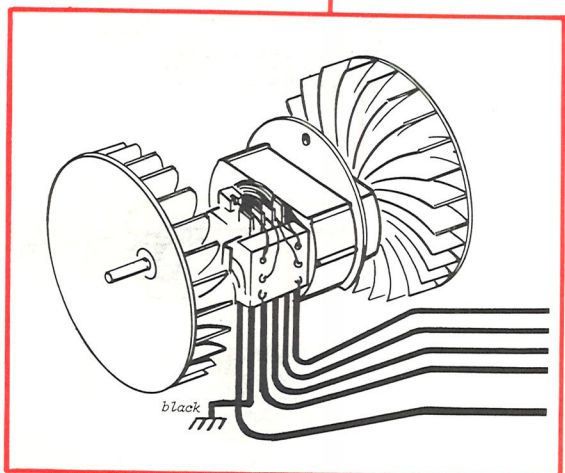
A



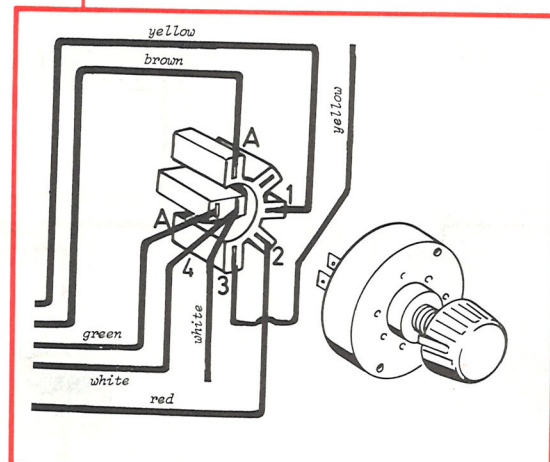
B



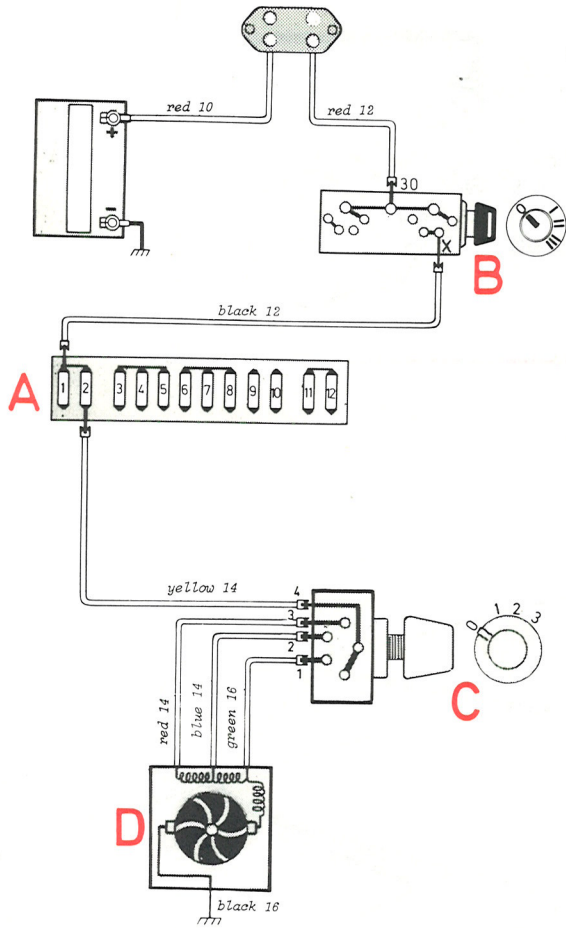
C



D



Heater blower (certain Canadian models) 240/1977 and 1978



1977: fuse No. 2

Heater blower
Horn
Windshield wiper/washer

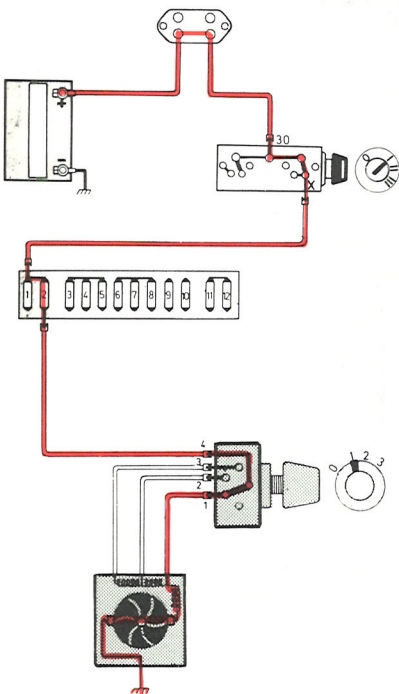
1978: fuse No. 2

Heater blower
Horn
Radio

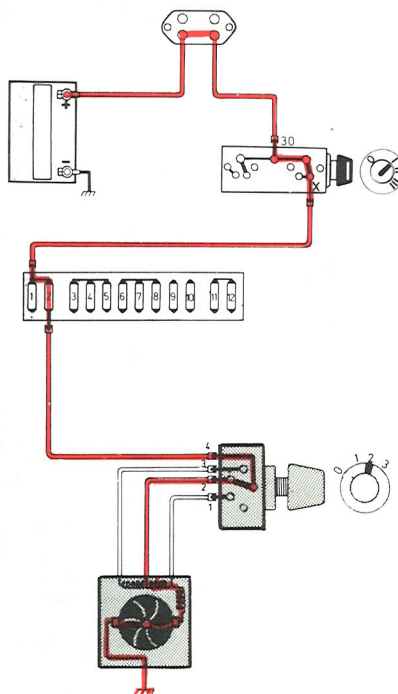
Legend:

- A Fuse box
- B Ignition switch
- C Switch
- D Blower motor

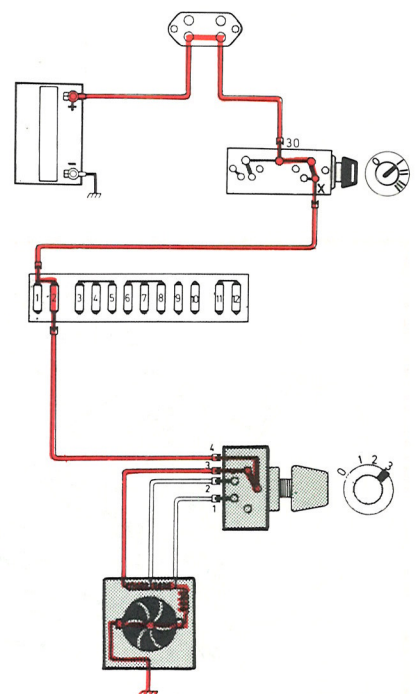
Low speed



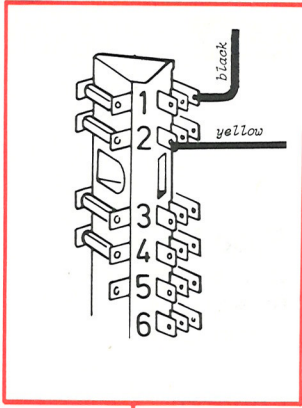
Medium speed



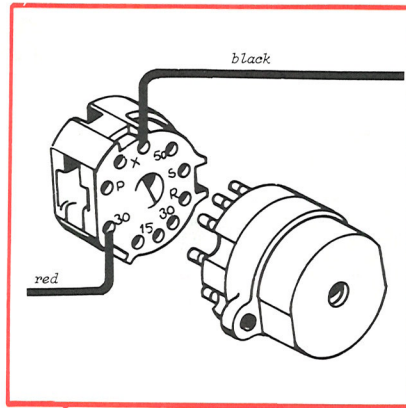
High speed



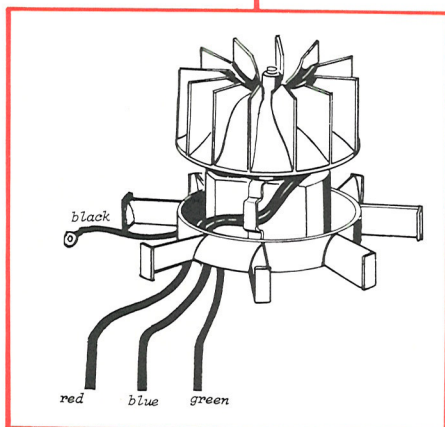
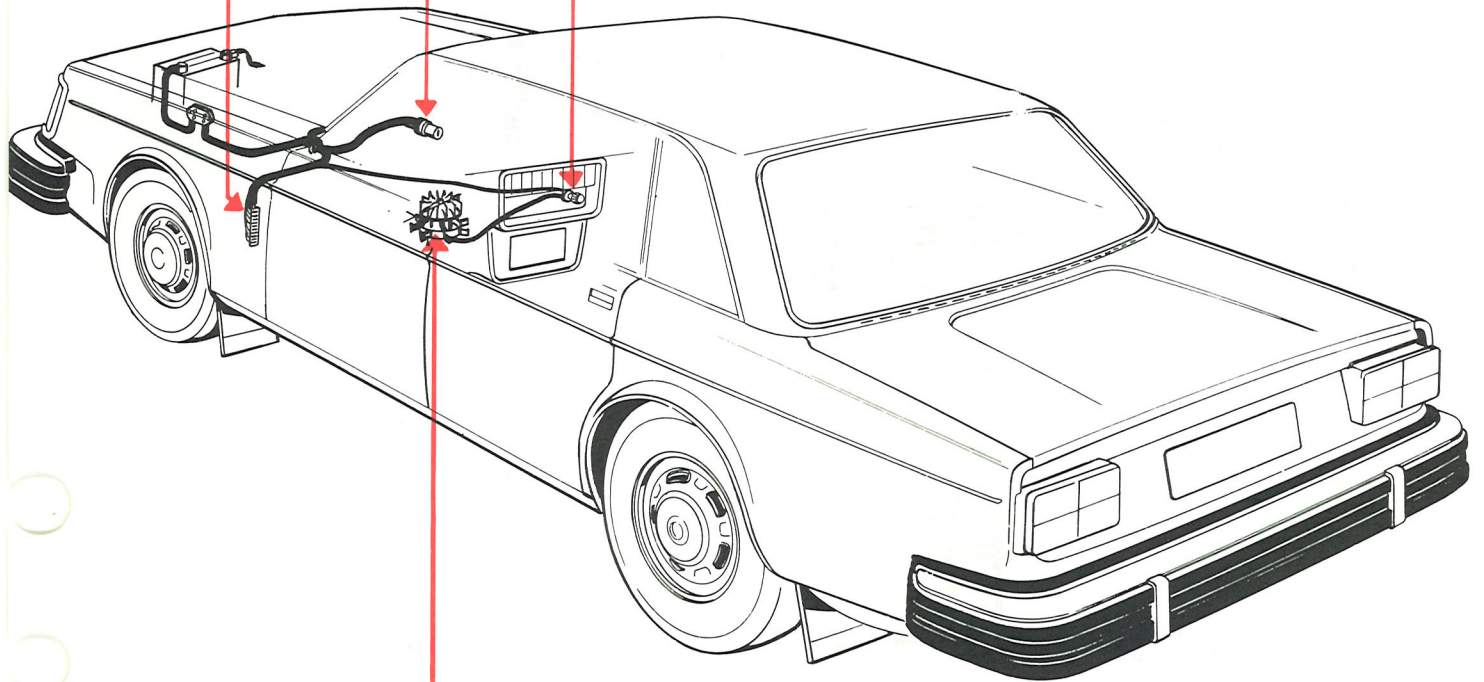
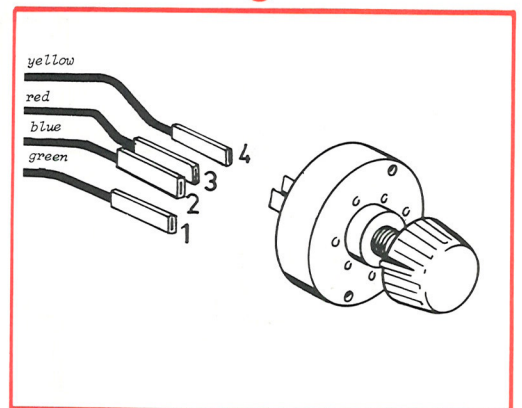
A



B

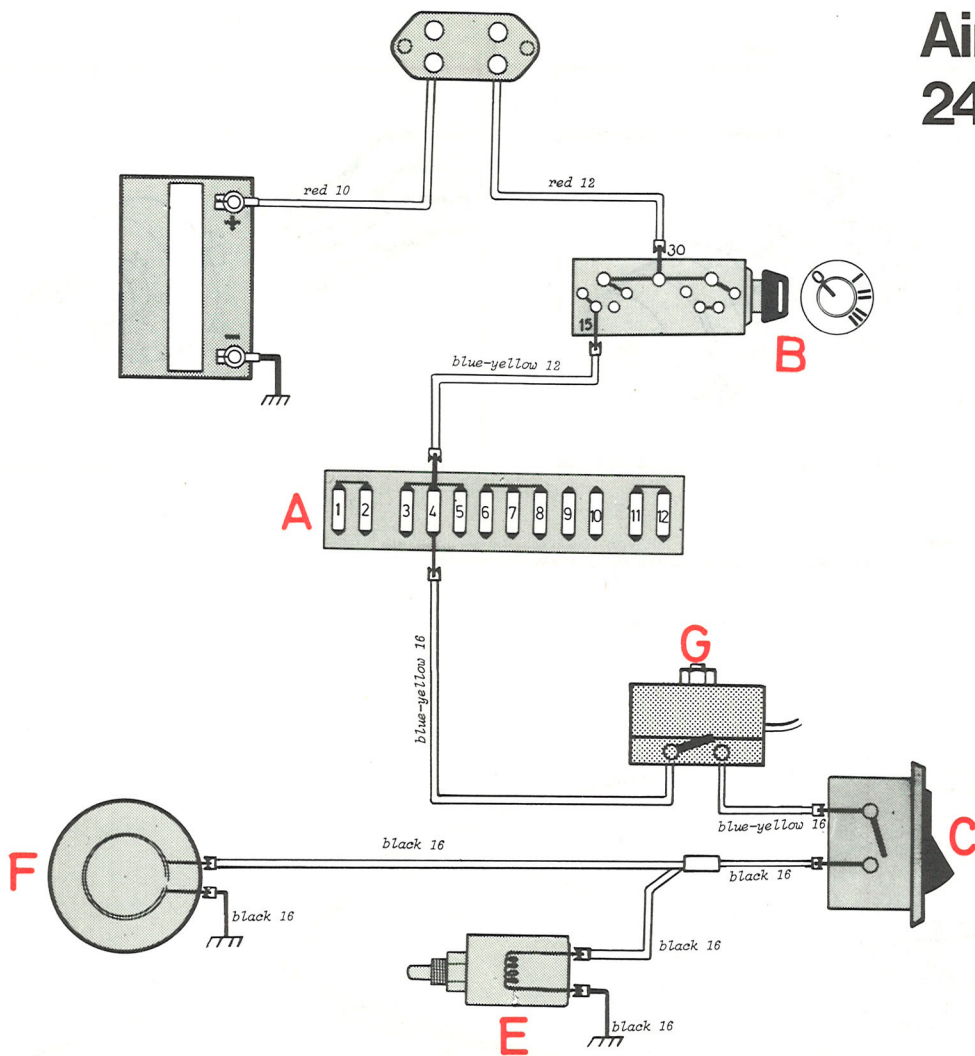


C



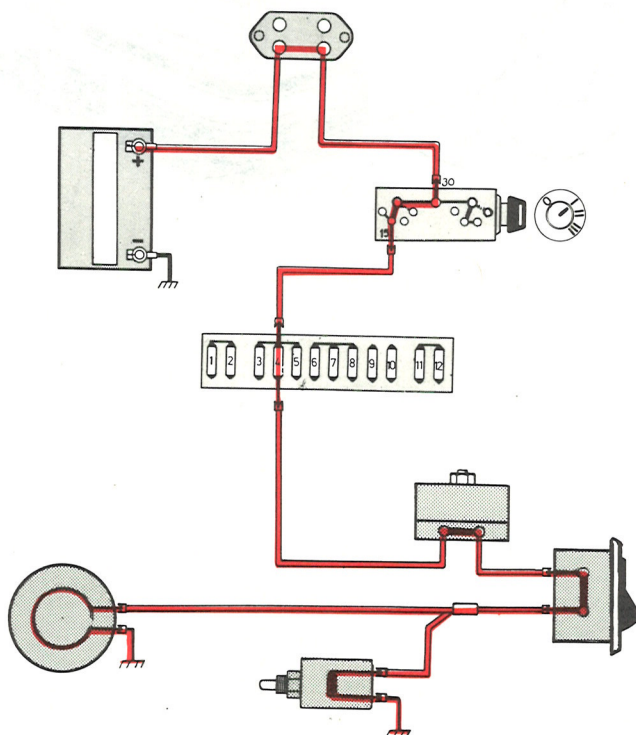
D

Air conditioning 240/1977



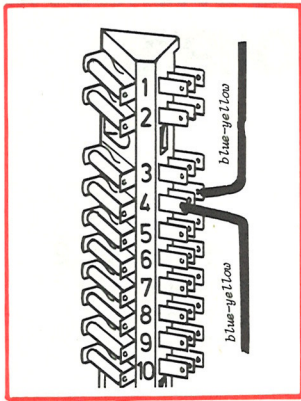
Fuse No. 4
Glove box light
Back-up lights
Air conditioning

Legend:
A Fuse box
B Ignition lock
C Switch, AC
E Solenoid valve
F Clutch coil
G Thermostat

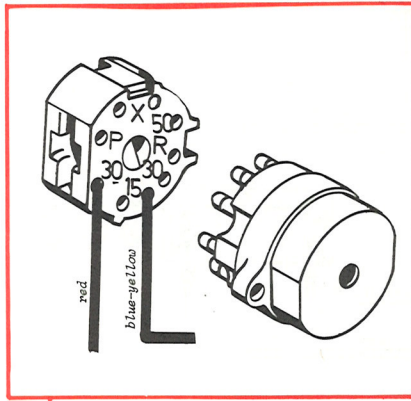


Air conditioning ON

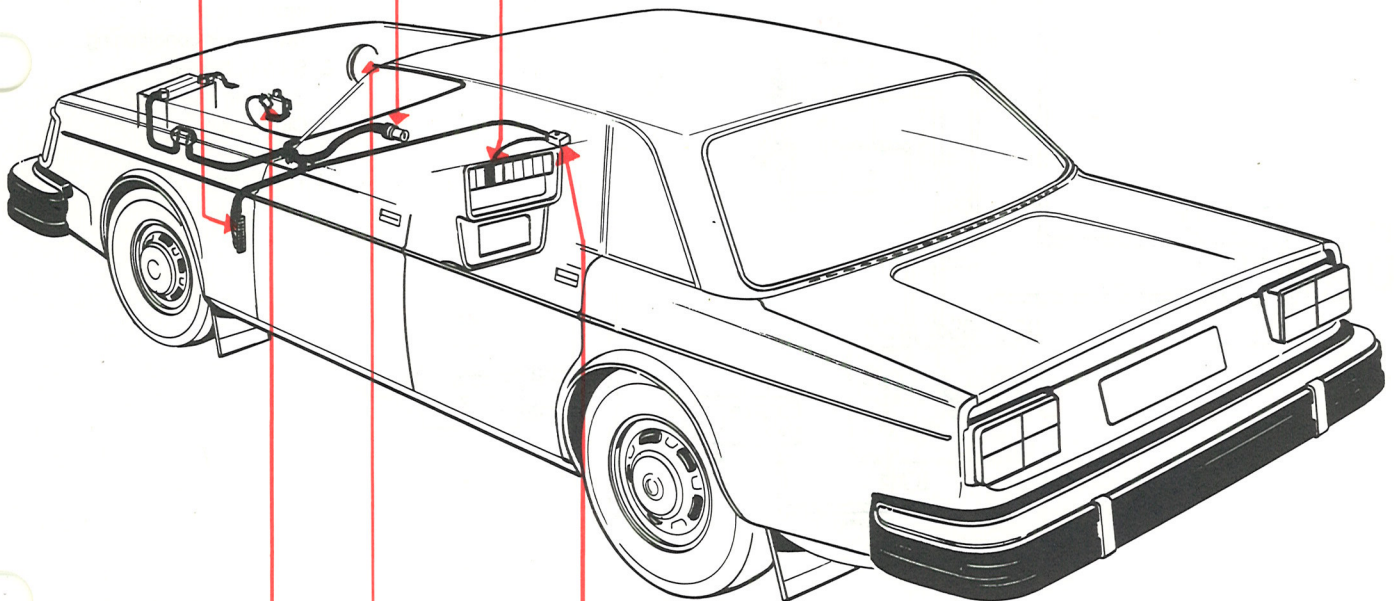
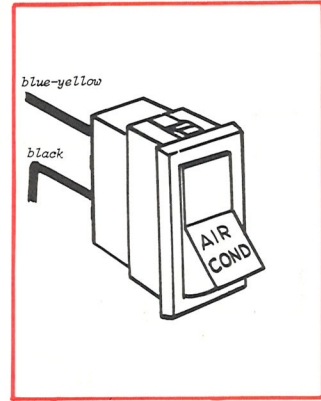
A



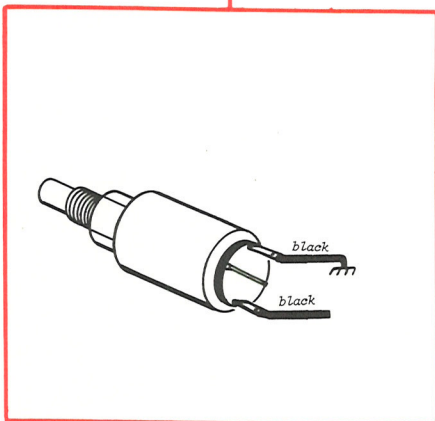
B



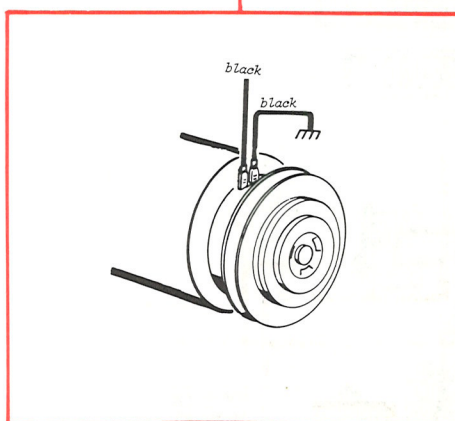
C



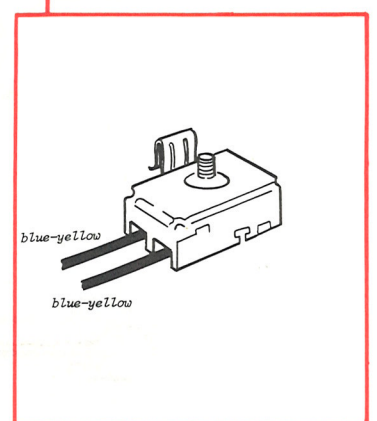
E



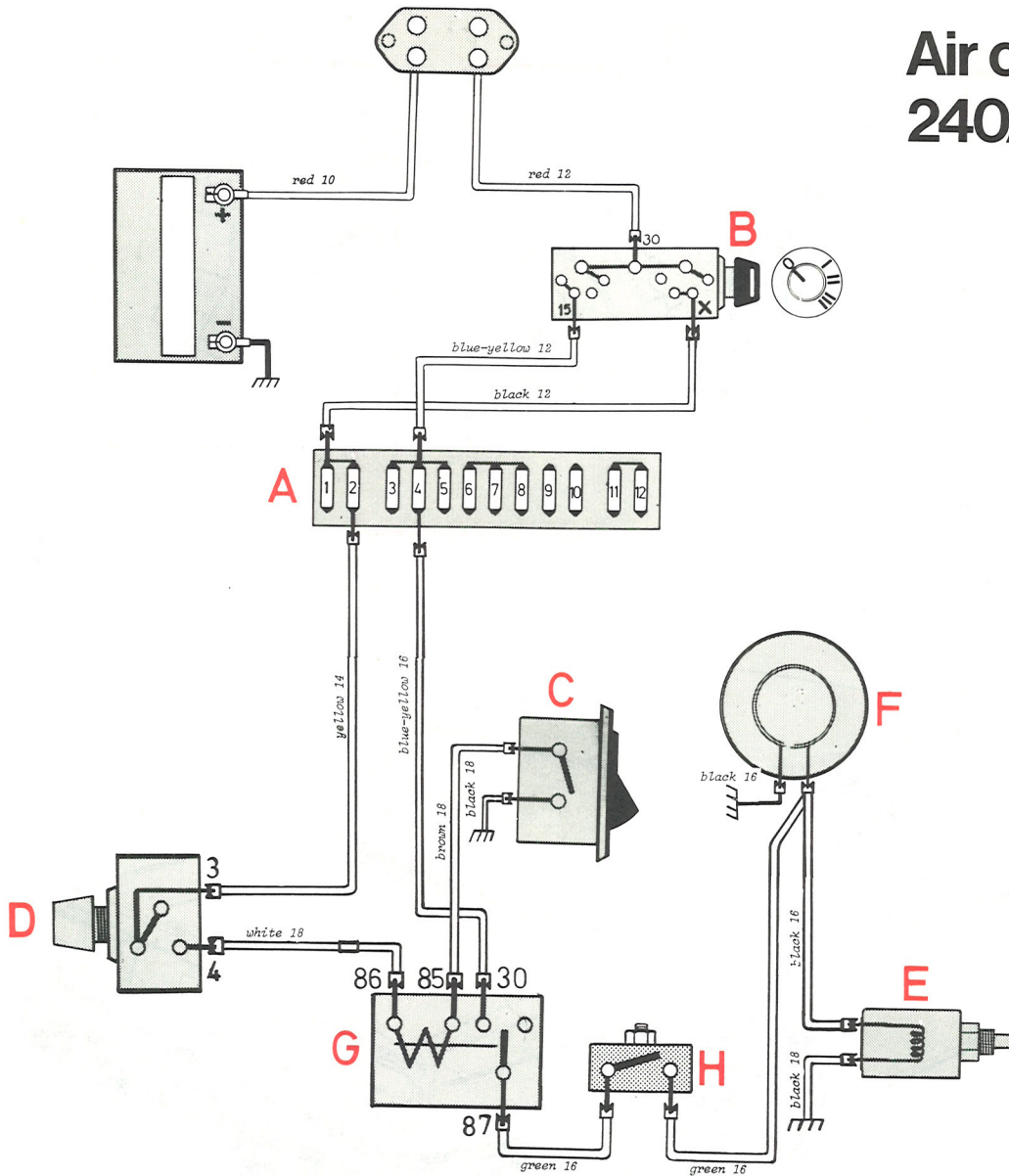
F



G



Air conditioning 240/1978

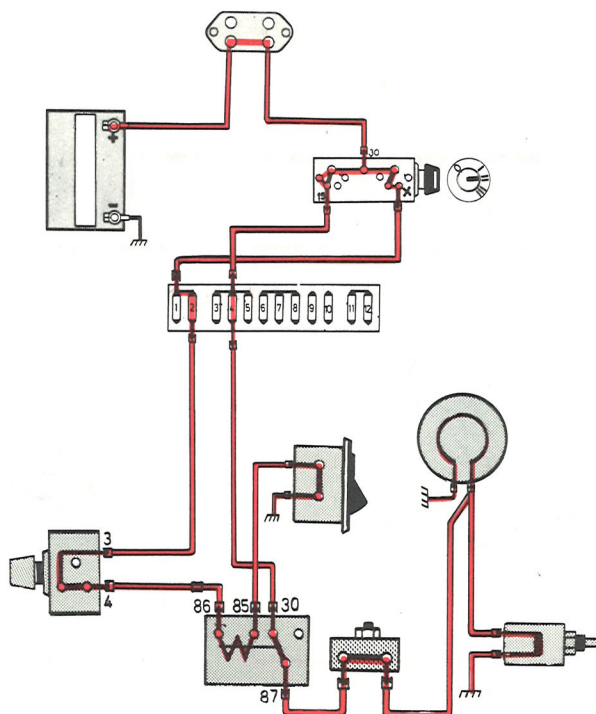


Fuse No. 2
Heater blower
Horn
Radio

Fuse No. 4
Back-up lights
Air conditioning

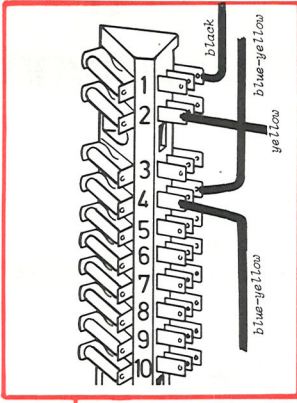
Legend:

- A Fuse box
- B Ignition lock
- C Switch, air conditioning
- D Switch, blower
- E Solenoid valve
- F Clutch coil
- G Relay
- H Thermostat

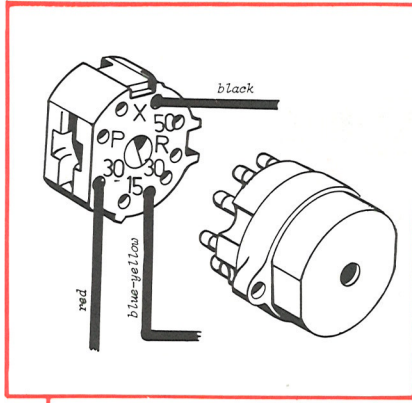


Air conditioning ON

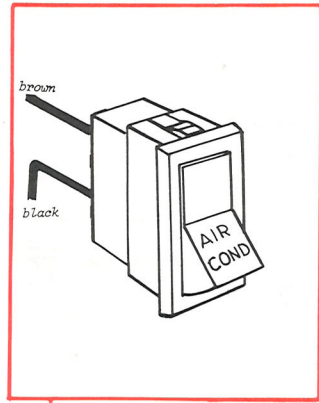
A



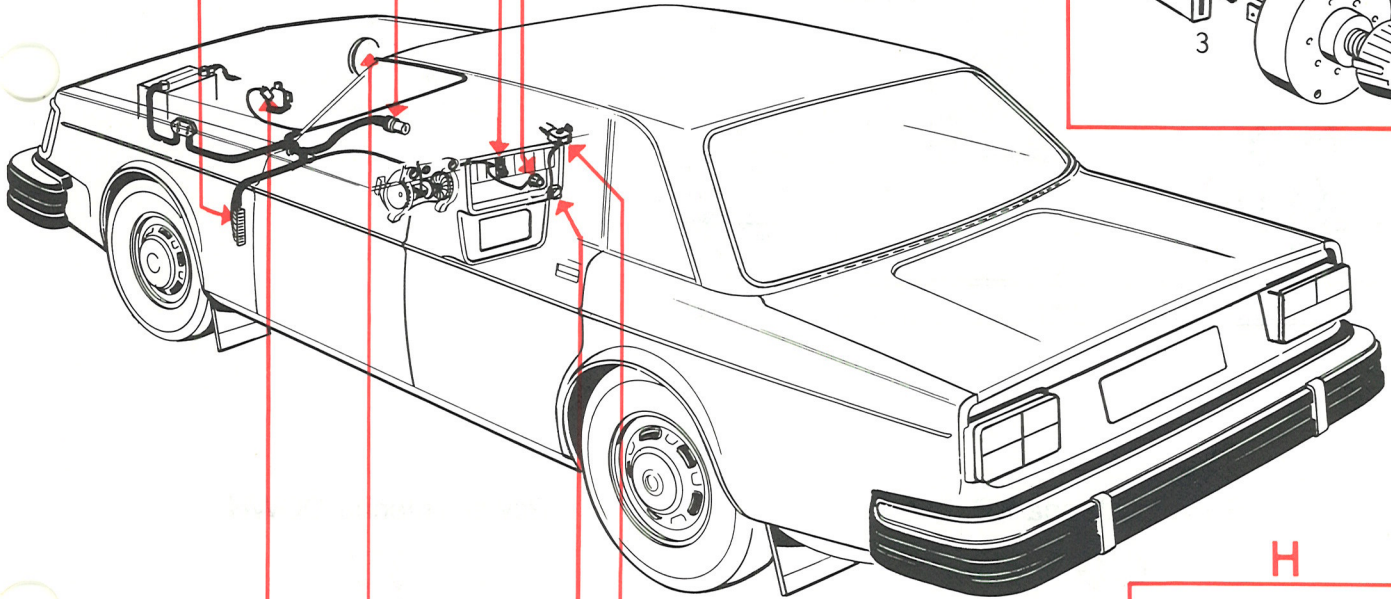
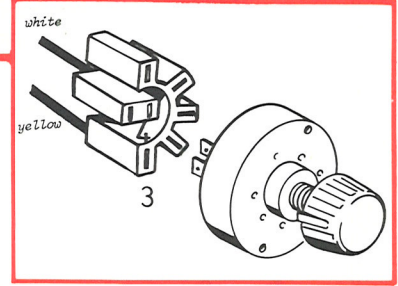
B



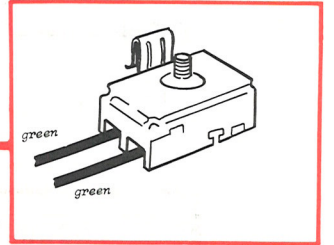
C



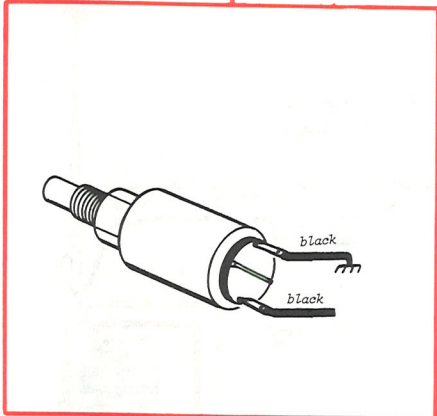
D



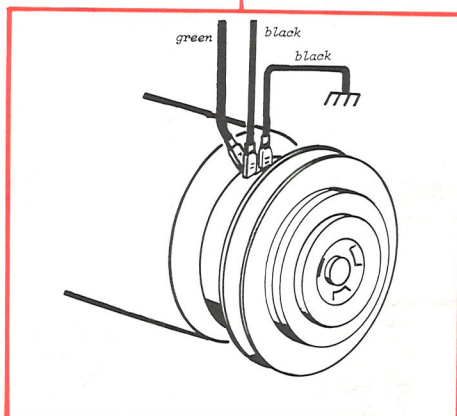
H



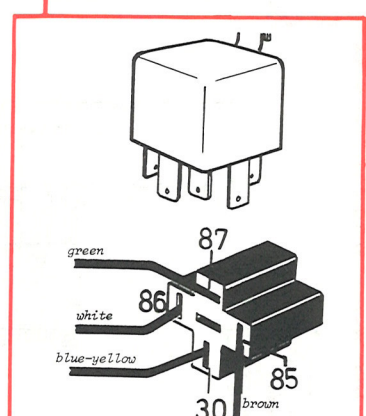
E



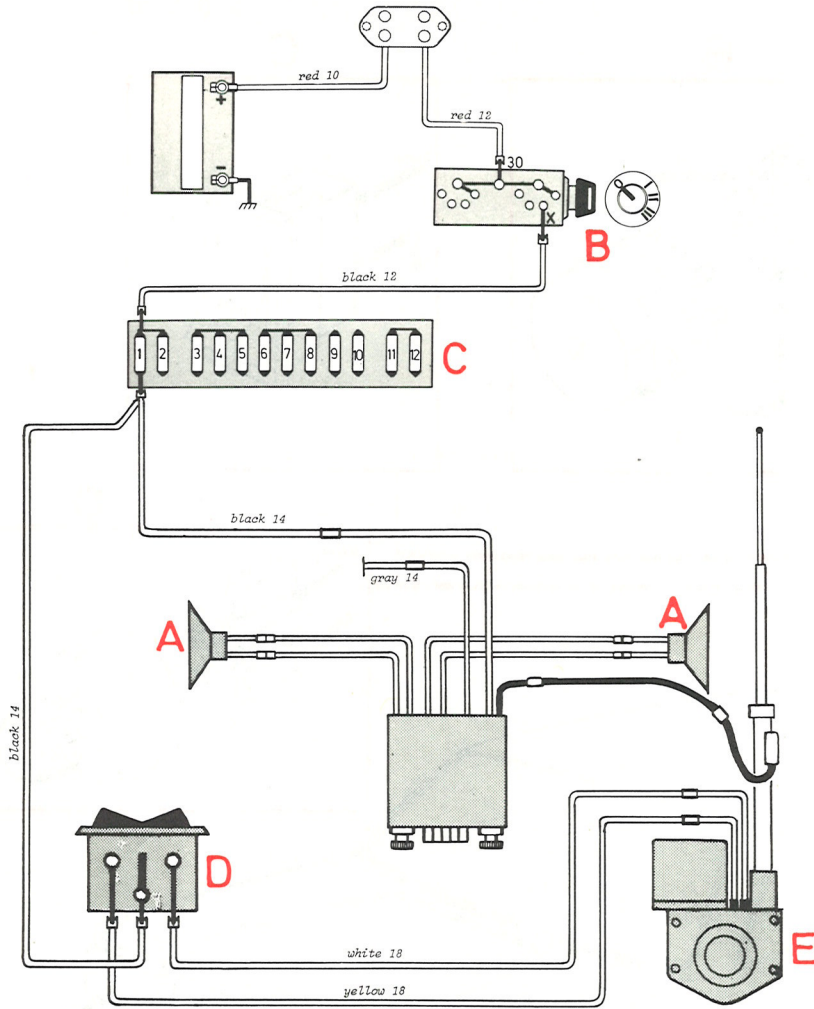
F



G



Radio and power antenna



1977: fuse No. 1

- Cigarette lighter
- Tail gate window wiper/washer (245)
- Radio

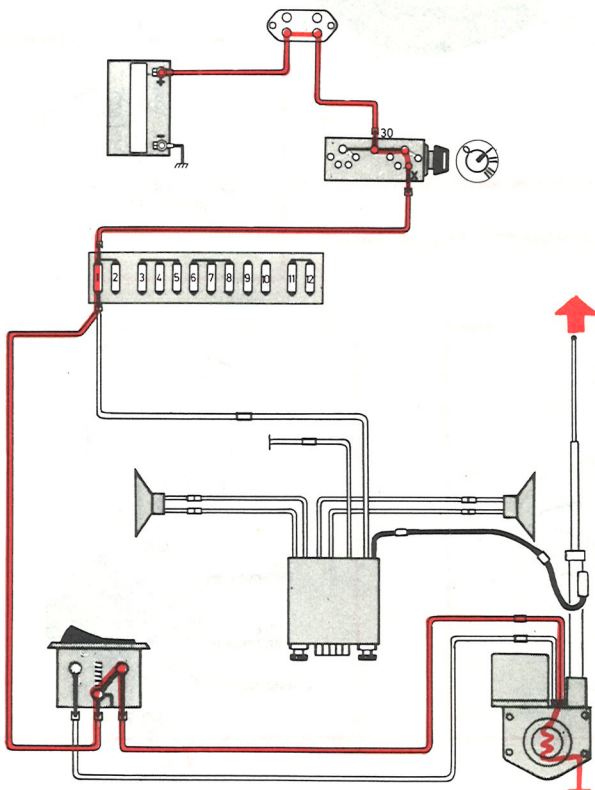
1978: fuse No. 1

- Cigarette lighter
- Windshield wiper/washer
- Tail gate window wiper/washer (245)
- Radio

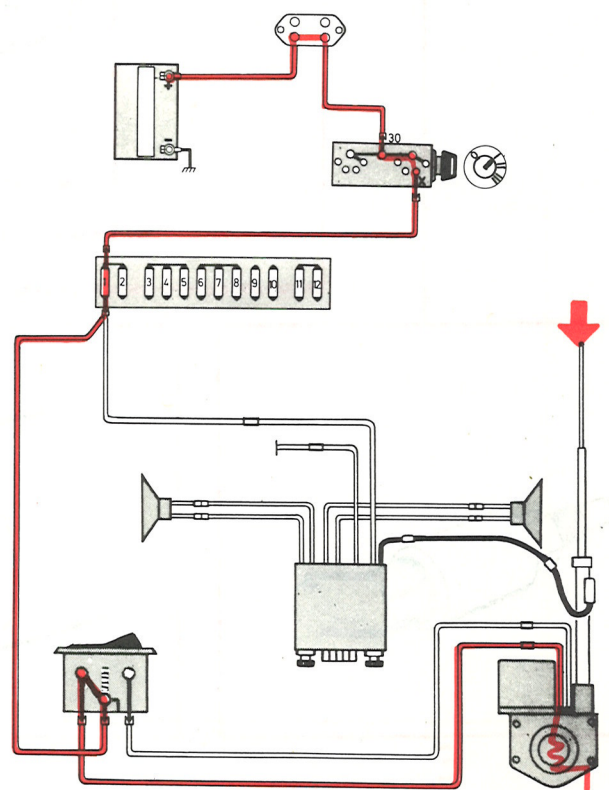
Legend:

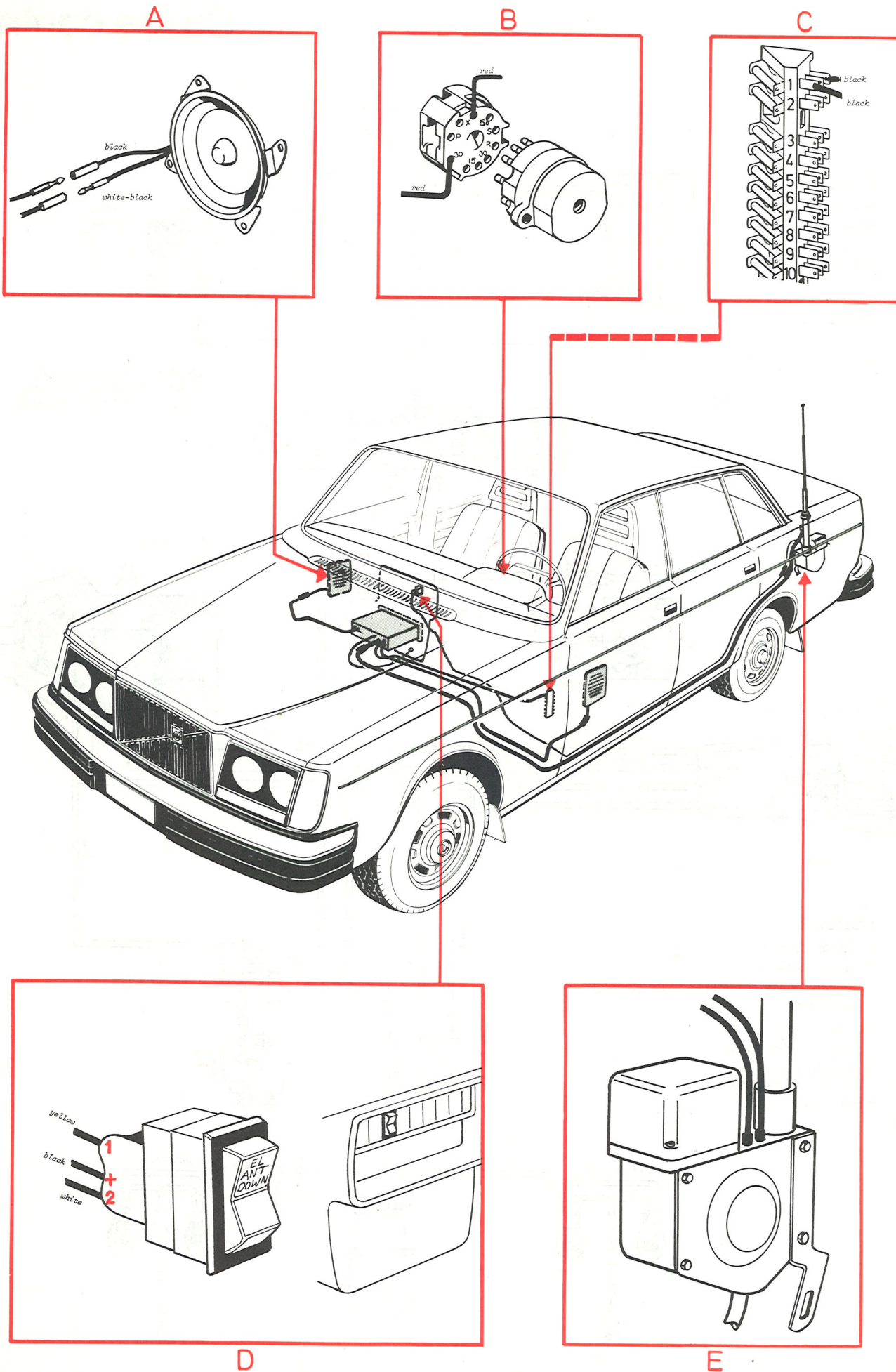
- A Loudspeaker
- B Ignition lock
- C Fuse box
- D Switch, antenna
- E Power antenna

Power antenna UP



Power antenna DOWN





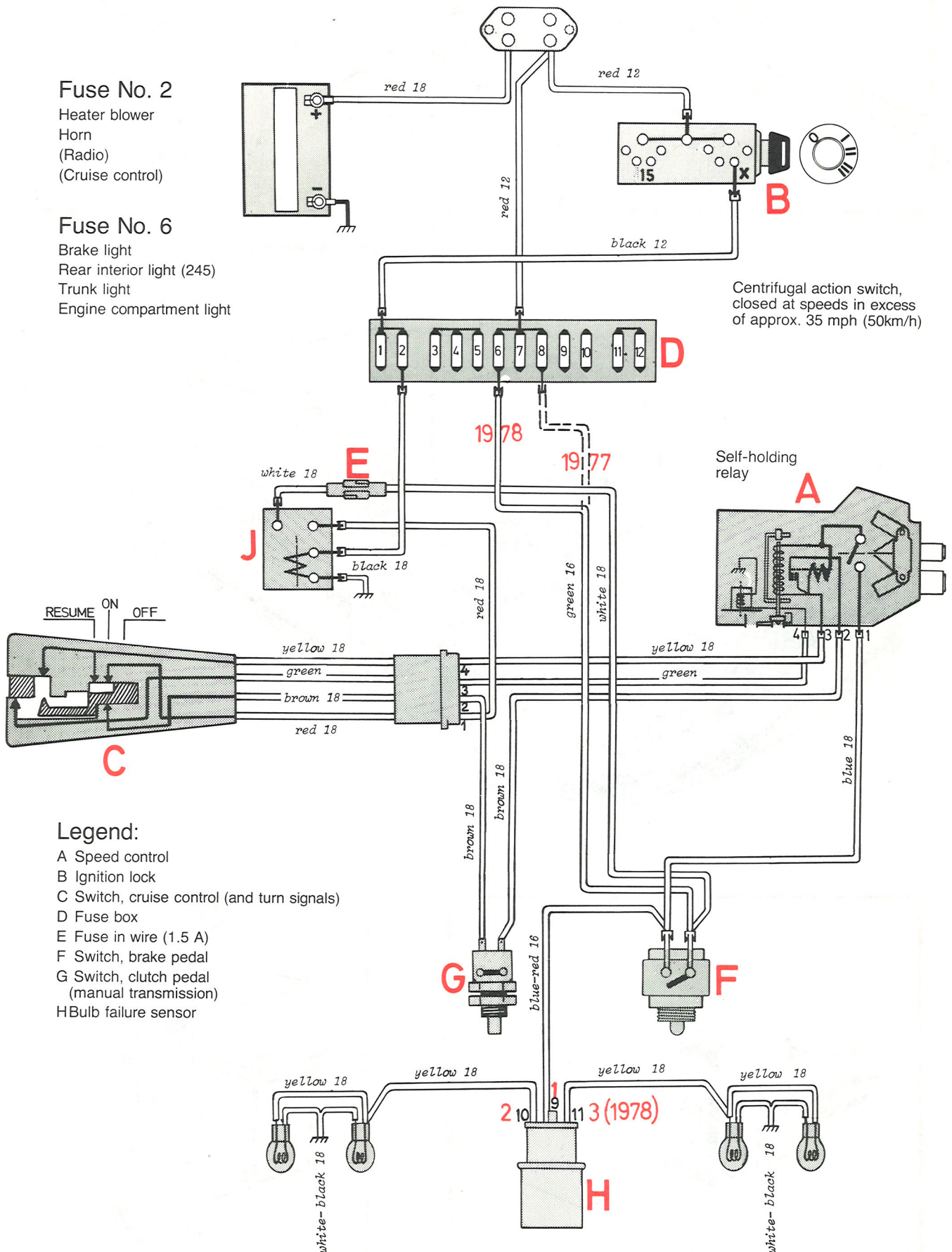
Cruise control

Fuse No. 2

Heater blower
Horn
(Radio)
(Cruise control)

Fuse No. 6

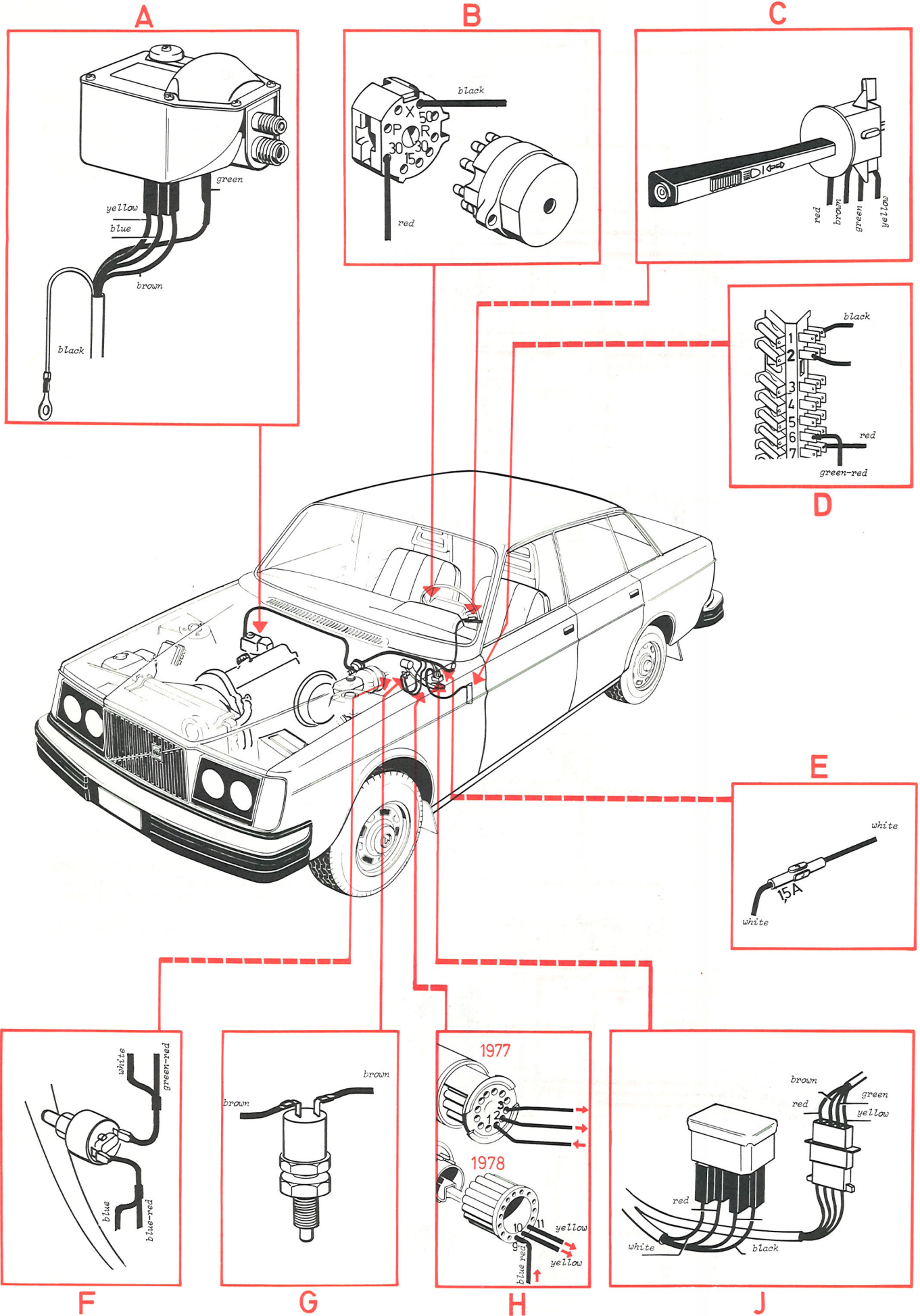
Brake light
Rear interior light (245)
Trunk light
Engine compartment light

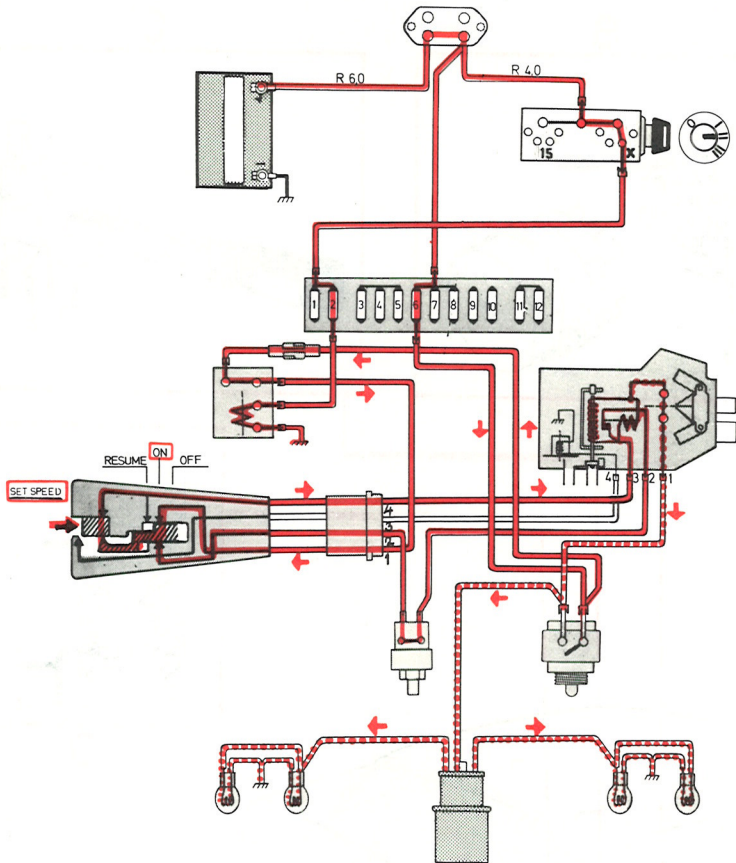


Centrifugal action switch,
closed at speeds in excess
of approx. 35 mph (50km/h)

Legend:

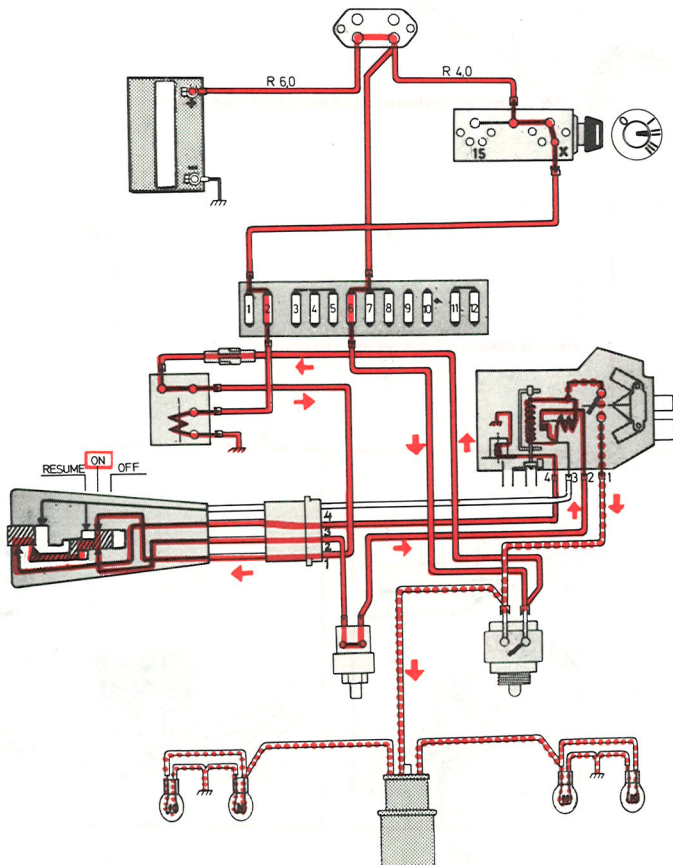
- A Speed control
- B Ignition lock
- C Switch, cruise control (and turn signals)
- D Fuse box
- E Fuse in wire (1.5 A)
- F Switch, brake pedal
- G Switch, clutch pedal (manual transmission)
- H Bulb failure sensor





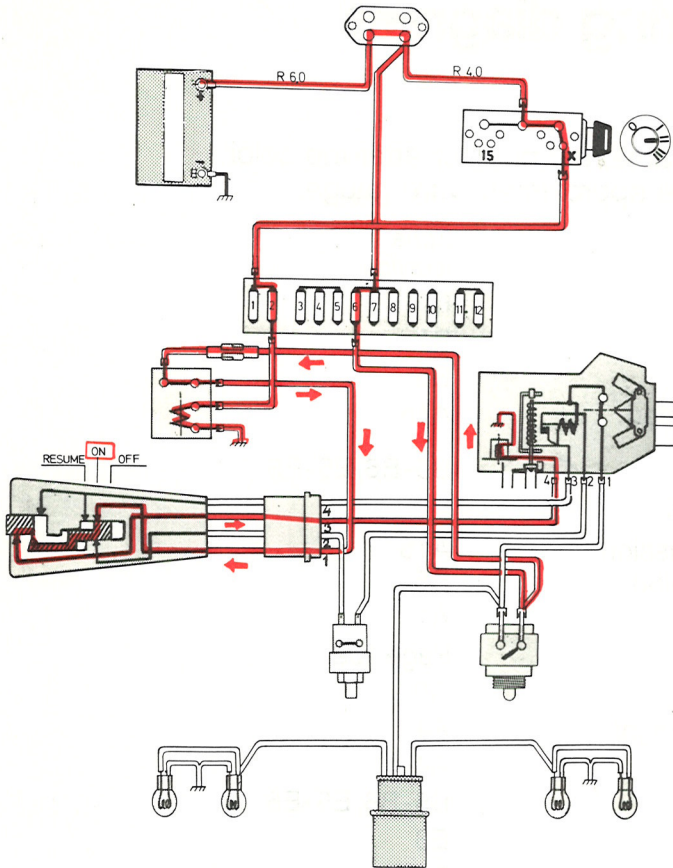
Set speed

Switch position ON and SET SPEED button depressed.
Relay and vacuum valve in speed regulator grounded through brake light bulbs.
Current is too small to illuminate brake lights.
Dotted lines indicate voltage below 12 V.



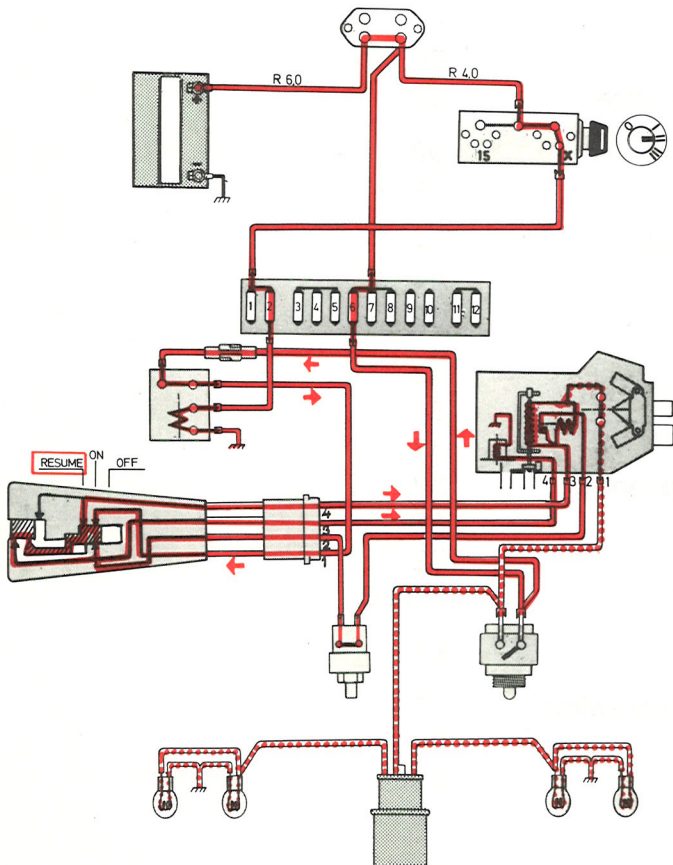
ON

ON-impulse arrives at speed control terminal 3.
Speed control self-holding relay receives self-holding voltage through terminal 2 (provided speed is higher than 35 mph and brake and clutch not engaged).
Dotted lines indicate voltage below 12 V.



Cruise control disengaged

If brake pedal switch is engaged, the self-holding relay in the speed control will disengage (same voltage at both ends of coil). Memory retains previous speed setting.



Resume

Dotted lines indicate voltage below 12 V.

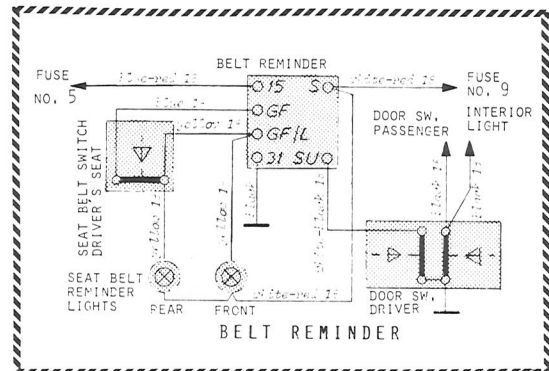
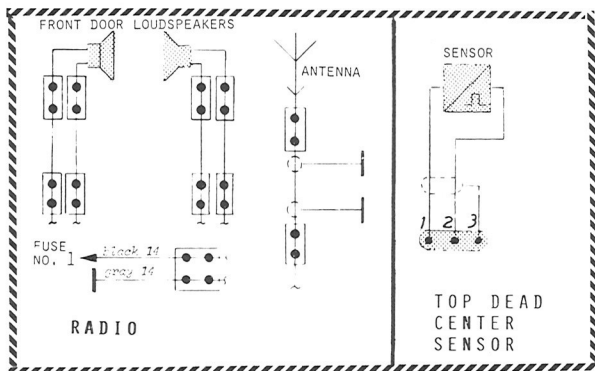
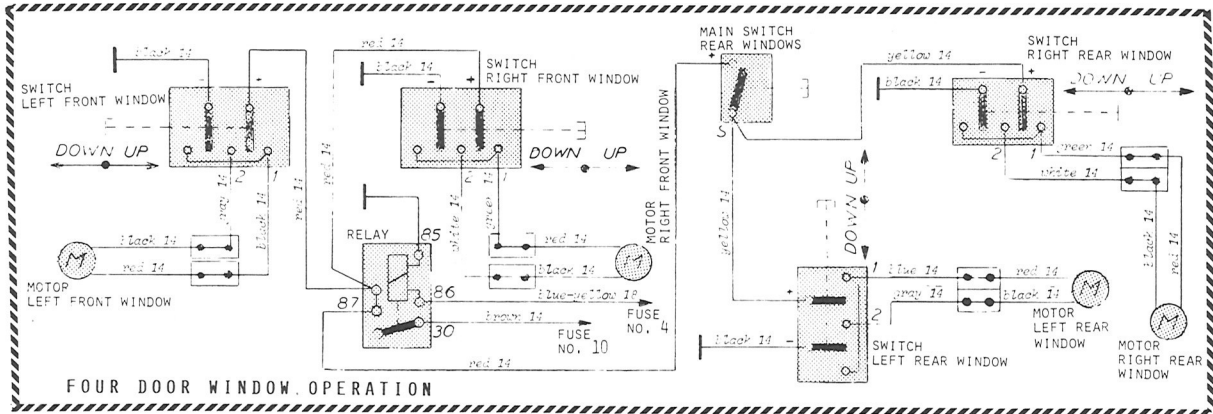
Master wiring diagram

Alphabetical index

In the wiring diagrams, the number after the color indicator states the approximate wire gauge.

<i>Name</i>	<i>Zone location</i>
Air conditioner	E11
Alternator	B1
Ash tray light	B5
Automatic transmission	A15
Back-up lights	B5-B6, E5-E6
Back-up light switch:	
automatic transmission	A15
manual transmission	D5
Battery	A1
Belt reminder	Page 102
Blower	D2
Brake failure control light	A4
Brake failure switch	A4
Brake lights	B5-B6, E5-E6
Brake light switch	E3
Bulb failure control light	B4
Bulb failure relay	E3
Charging control light	B3
Choke control light	A4
Choke switch	A4
Cigarette lighter	C3
Clock	E4
Control panel lights	E4
Carburetor solenoid valve	D3
Door switches	D2
Driving lights	C13
EGR/EXH, control light	A4
EGR/EXH, sender	A4
Engine compartment light	C2
Fuel feed pump	A2
Fuel gauge	B4
Fuel gauge sender	A3
Fuel injection components	A2
Fuel pump	A2
Fuel pump relay	B2
Fuse box	C3, D3
Glove box light	E5
Hazard warning flasher switch	D5
Headlamps	C1, E1
Heater	E12
Horn	C2
Ignition coil	B3
Ignition distributor	A3

<i>Name</i>	<i>Zone location</i>
Ignition electronic module	A3
Interior light	D2
Interior light, rear (245/265)	C11
Interior light, switch (245/265)	B11
License plate lights	C5-C6
Light switch	E2
Mirrors	C15-C16
Oil pressure control light	A4
Oil pressure sender	A4
Overdrive control light	B4
Overdrive solenoid	C4
Overdrive switch	C5
Oxygen sensor feedback system	E14
Parking brake control light	A4
Parking brake switch	A4
Position lamps	C1, E1
Radio	Page 102
Rear window heater	C4
Rear window switch	C5
Seat belt buckle light	B5
Seat belt control light front	B4
Seat belt control light rear	B4
Seat belt switch, driver's side	A4
Seat belt switch, passenger's side	A4
Seat heater	C5
Side marker lights	B5-B6, E5-E6
Spark plugs	A3
Starter motor	A1
Tachometer	B3
Tail gate circuits	A11-A12, B11-B12, C11-C12
Tail lights	B5-B6, E5-E6
Temperature gauge	B4
Temperature gauge, sender	A3
Top dead center sensor	Page 102
Trunk light	D5
Turn signal control light	B4
Turn signal flasher	D4
Turn signal front lights	C1, E1
Turn signal rear lights	B5-B6, E5-E6
Turn signal switch	D4
Upper beam control light	B4
Upper/lower beam switch relay	E2
Voltage regulator	B1
Voltage stabilizer	B4
Window operation: two door	A13
Window operation: four door	Page 102
Wiper/washer	A5
Wiper/washer interval relay	A5
Wiper/washer, rear (245/265)	A11-A12
Wiper/washer switch	A5

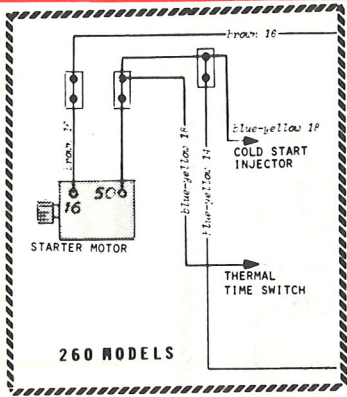


1

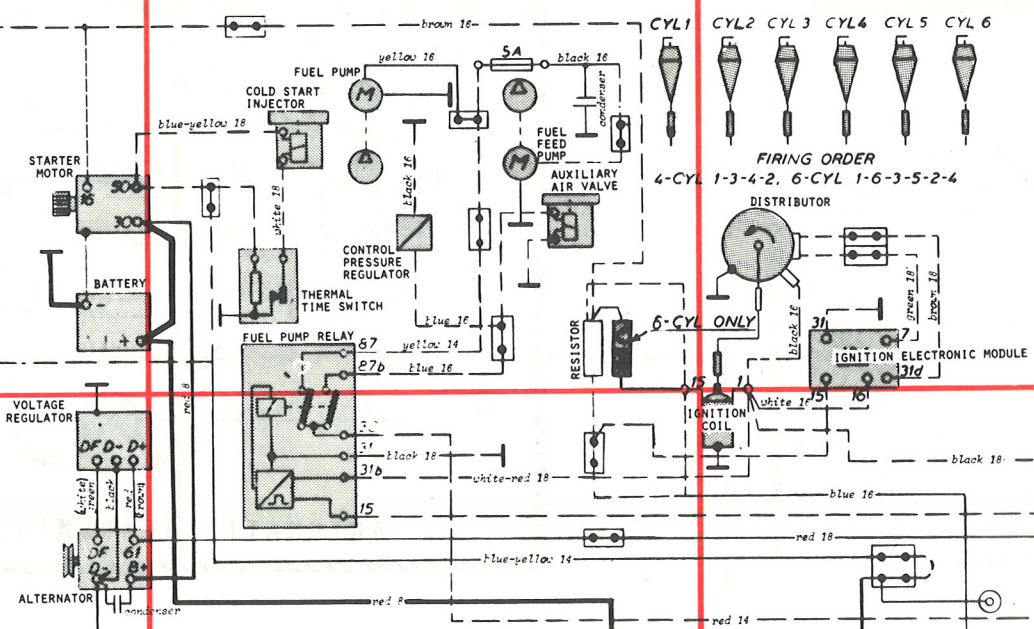
2

3

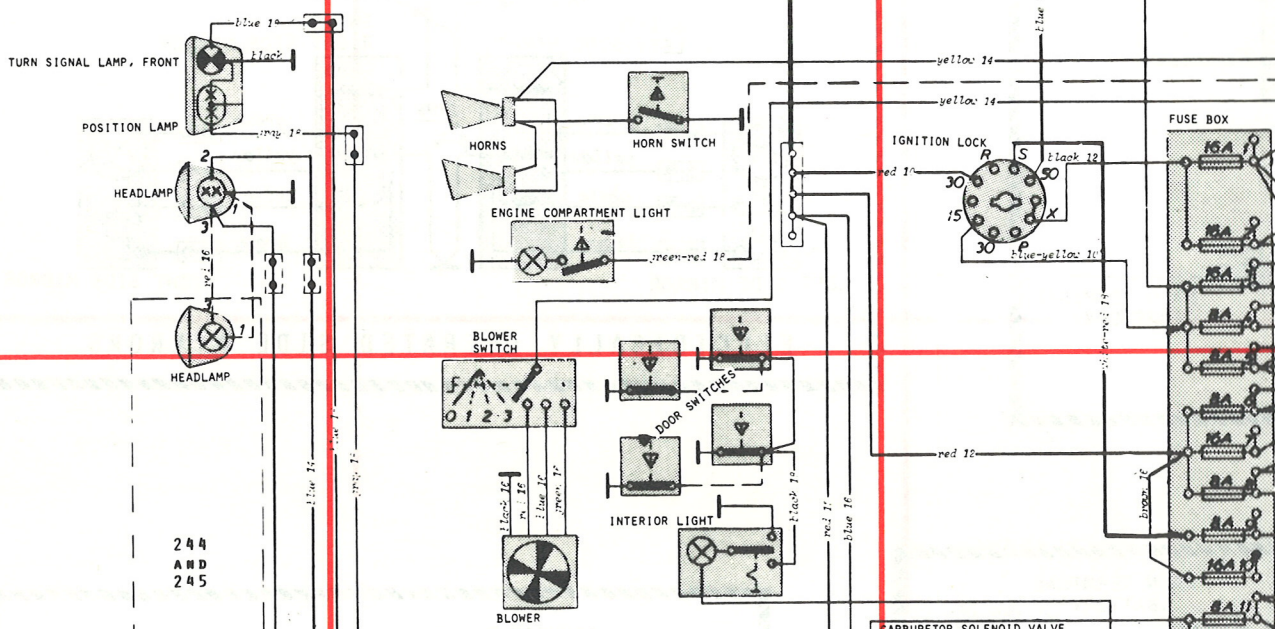
A



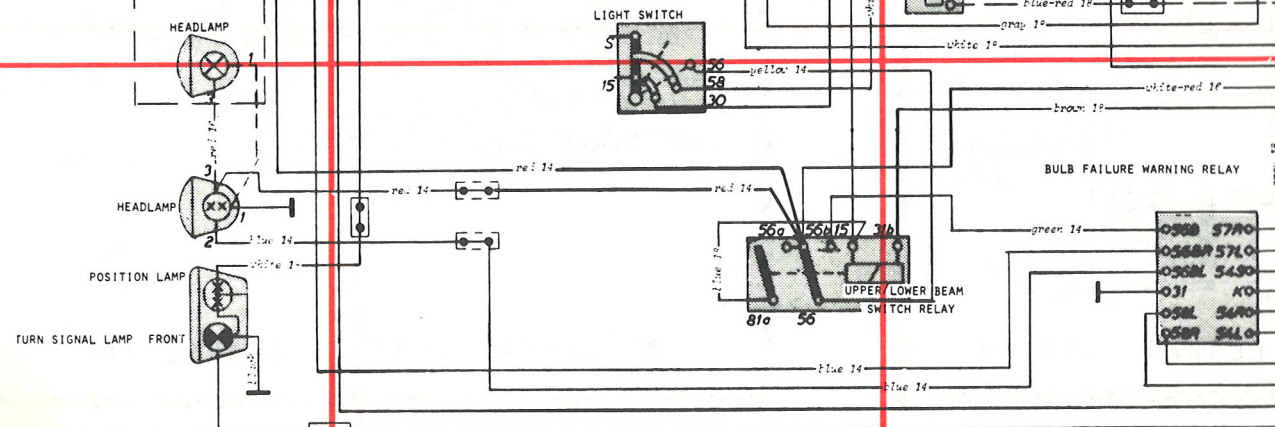
B



C



E



1

2

3

4

5

6

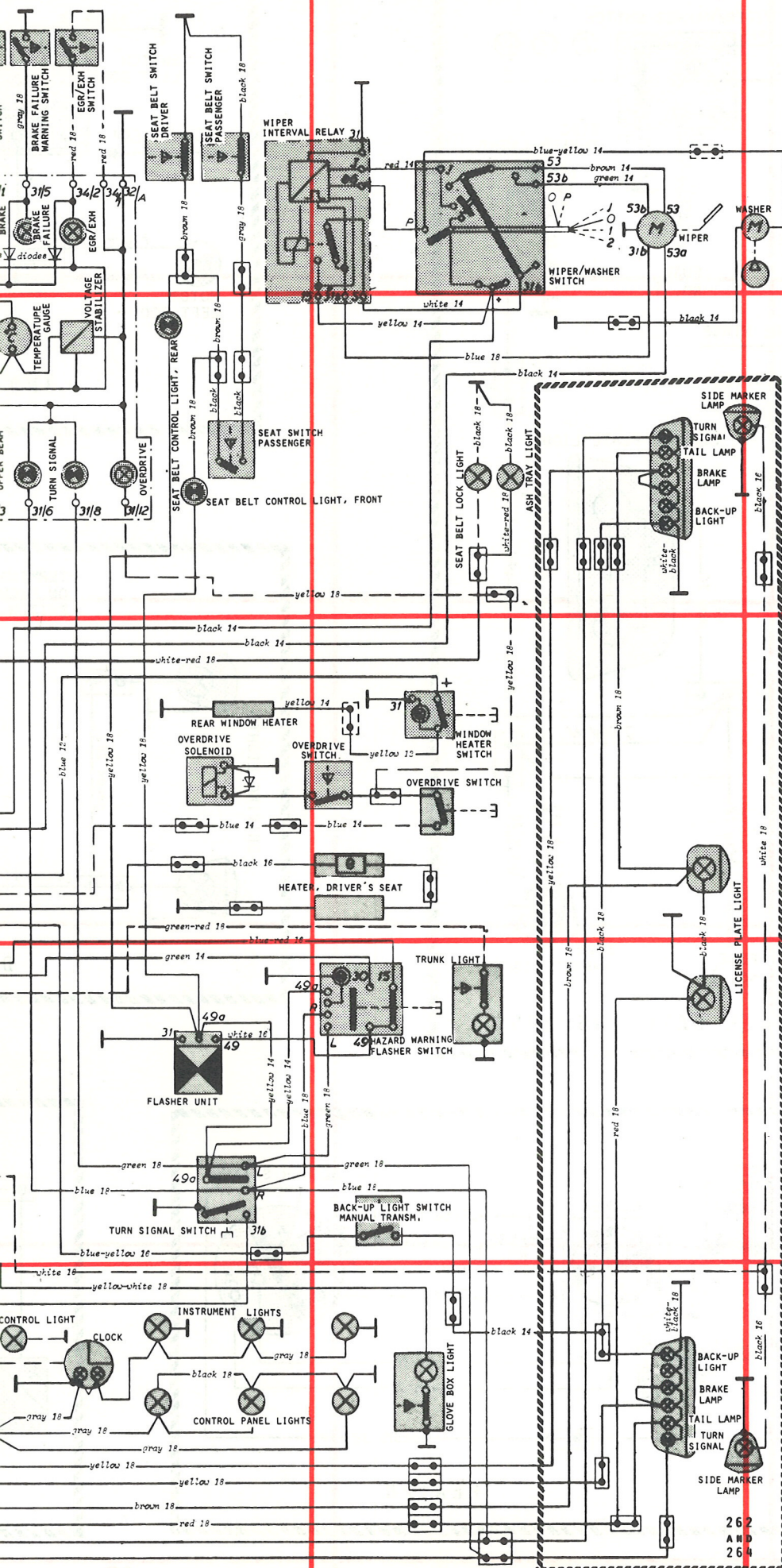
A

B

C

D

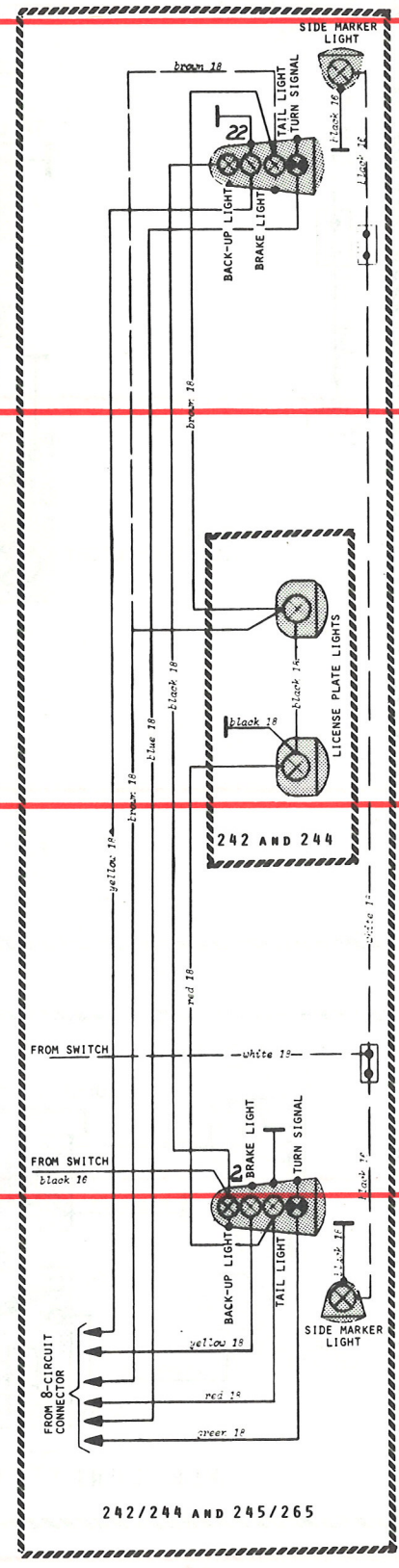
E



4

5

6



4

5

6

11

12

13

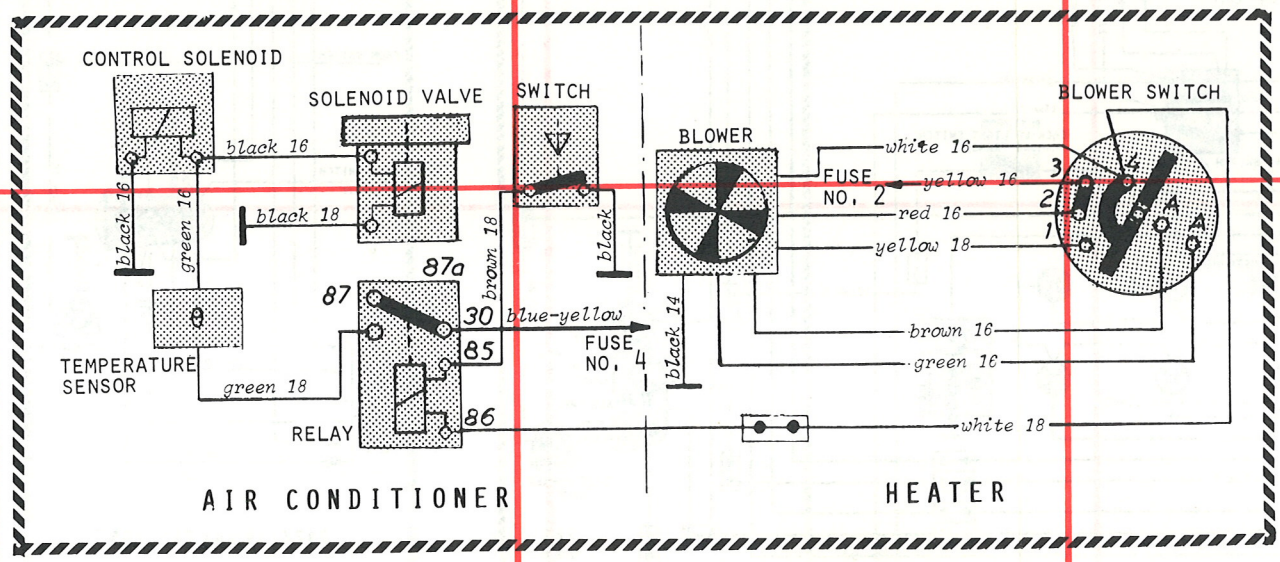
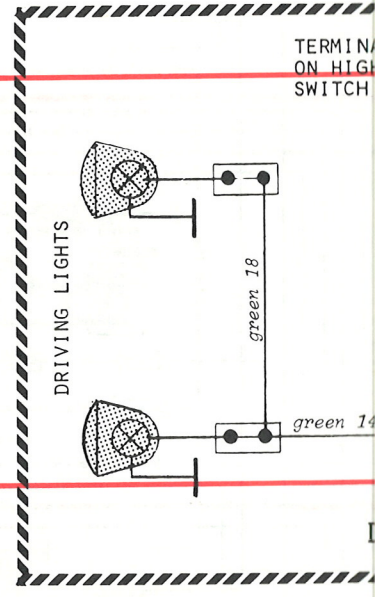
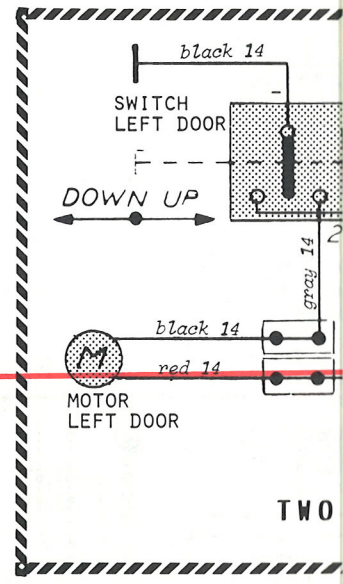
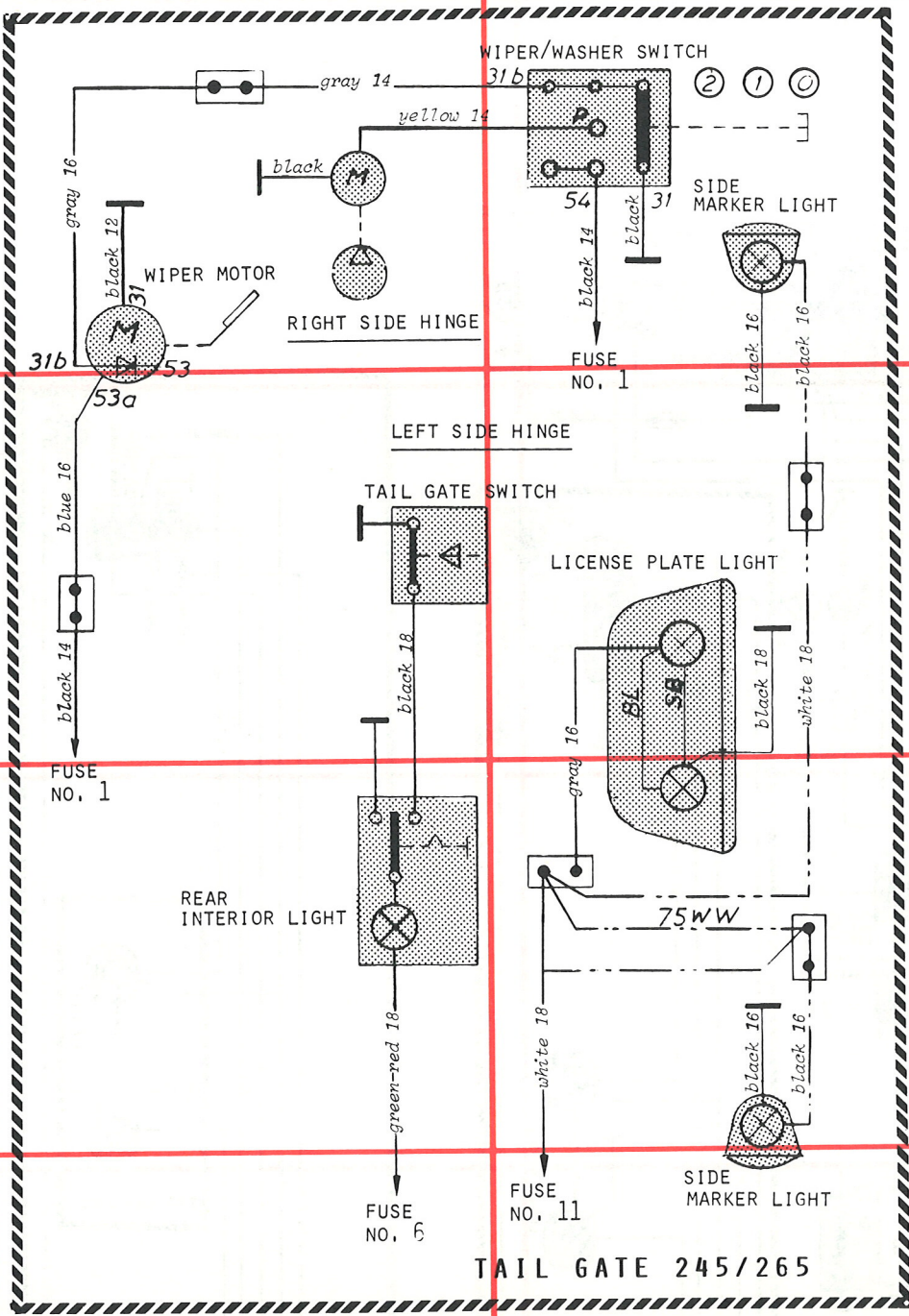
A

B

C

D

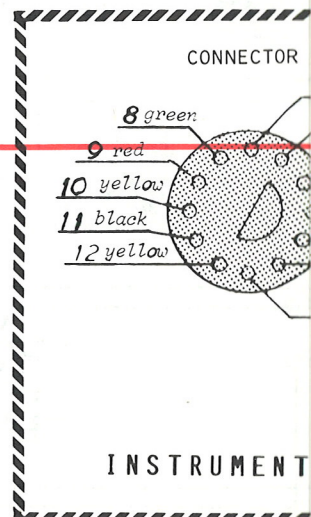
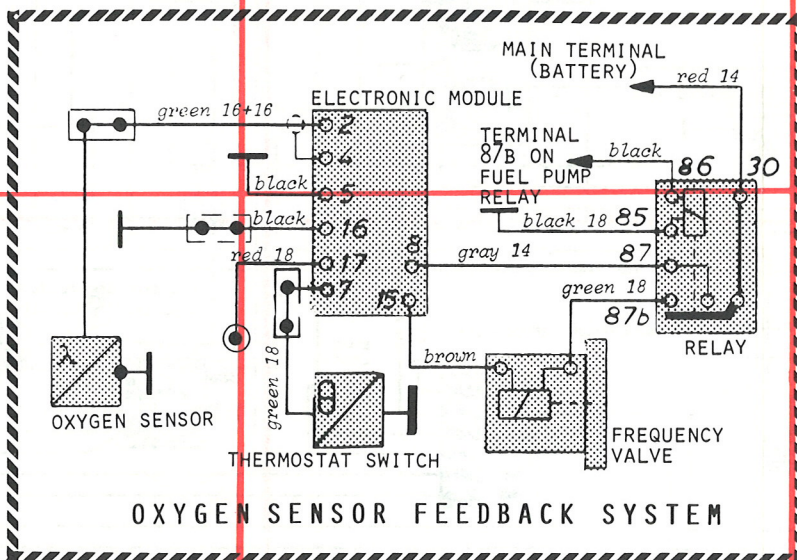
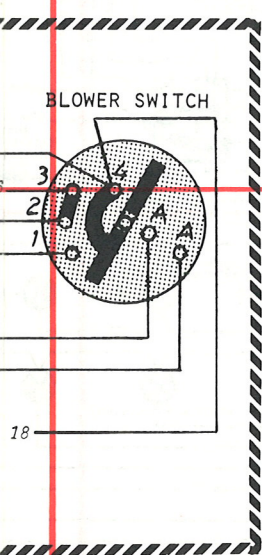
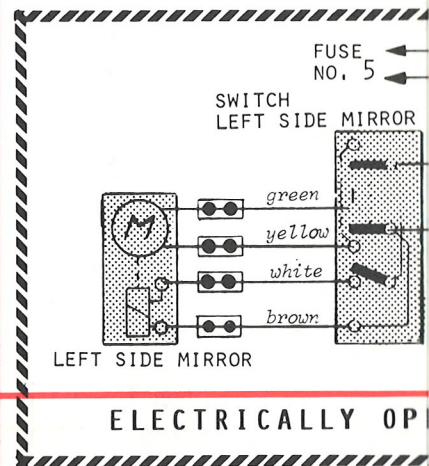
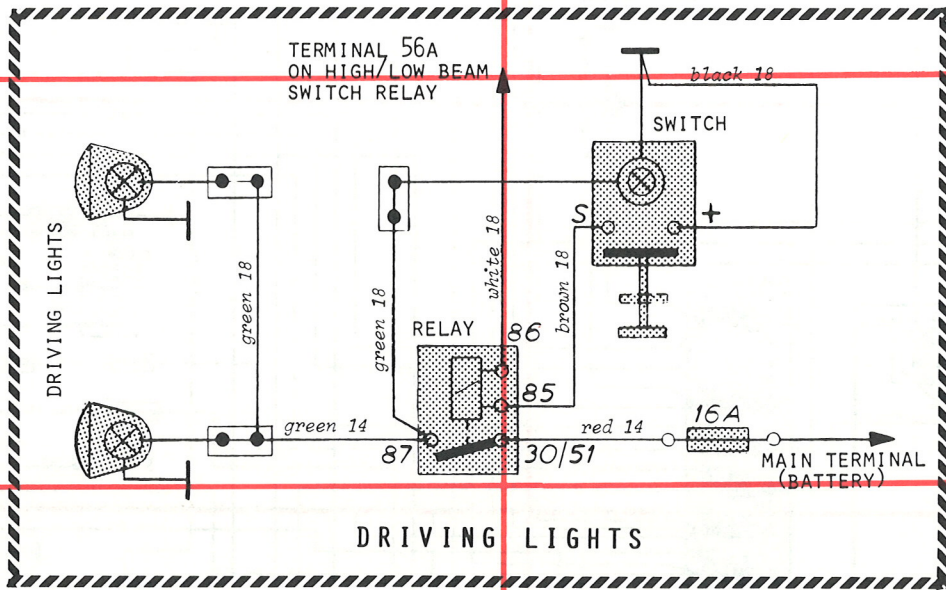
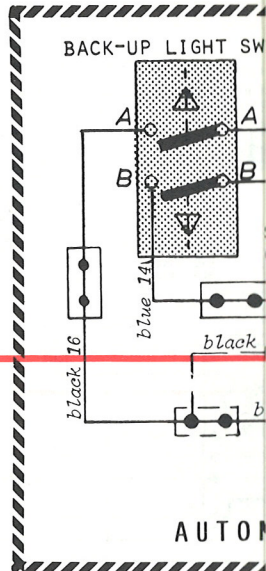
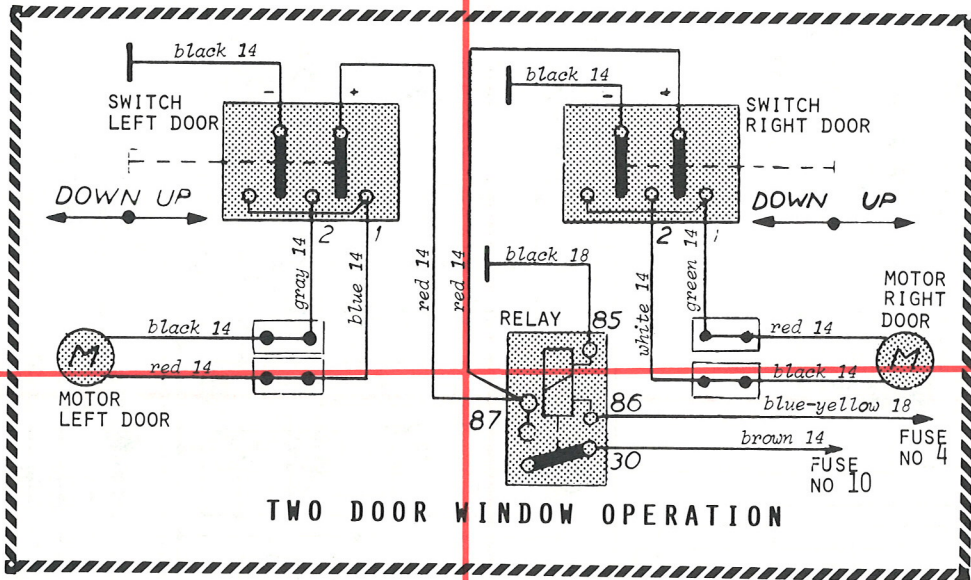
E

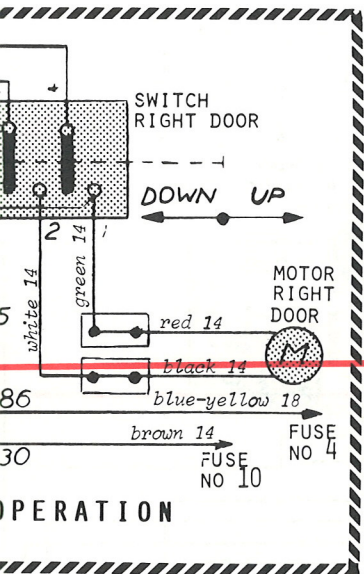


11

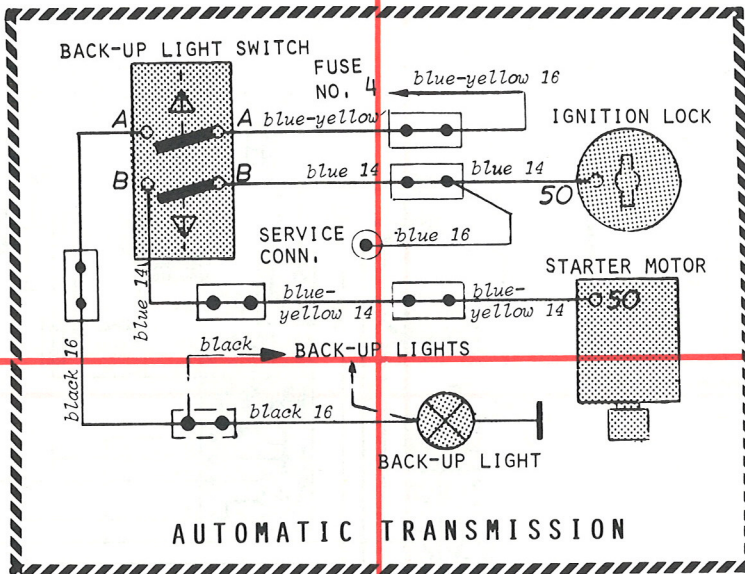
12

13

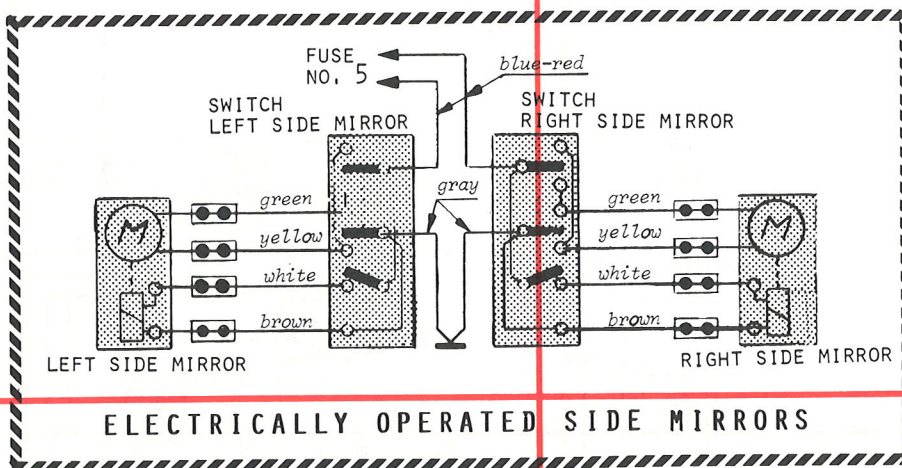
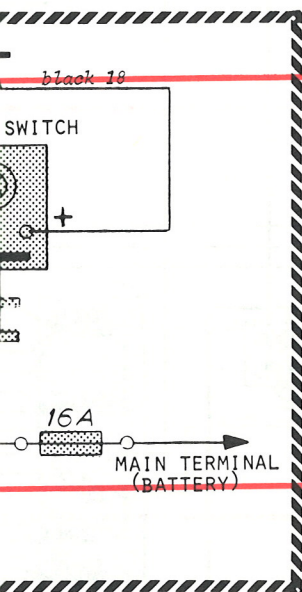




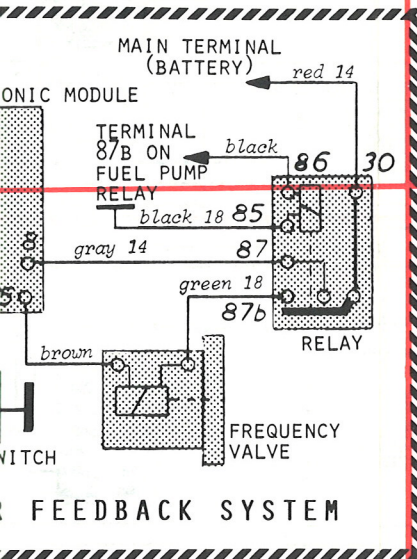
OPERATION



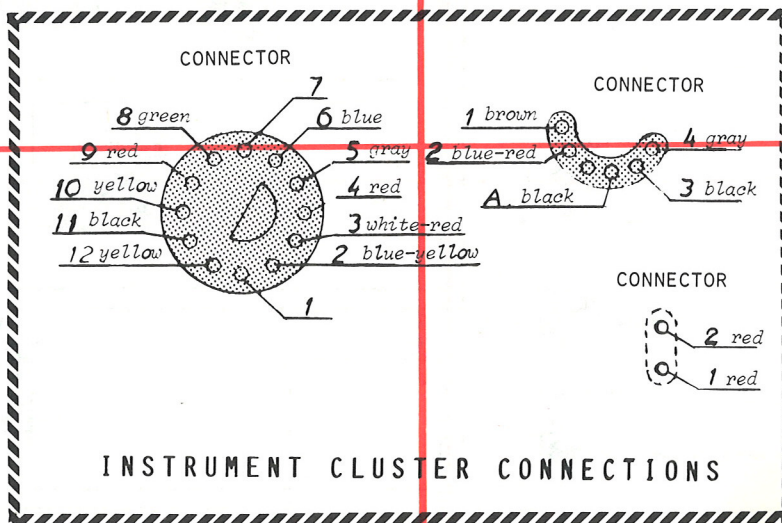
AUTOMATIC TRANSMISSION



ELECTRICALLY OPERATED SIDE MIRRORS



FEEDBACK SYSTEM



INSTRUMENT CLUSTER CONNECTIONS



**VOLVO SUPPORTS VOLUNTARY
MECHANIC CERTIFICATION
BY THE N.I.A.S.E.
(U.S.A. Only)**

VOLVO

TP 12045/1

3000 12.78
Printed in USA

Printed in U.S.A.